



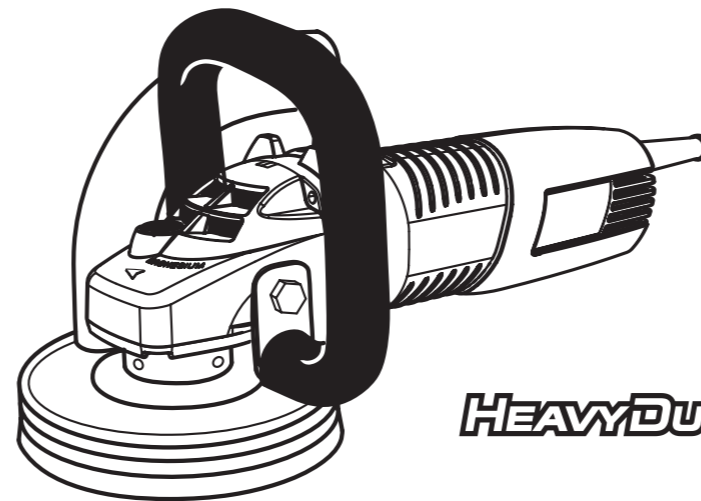
POWER
TOOLS



SPARKY

HD PROFESSIONAL

(EN)	CONCRETE GRINDER	1 – 9
	Original instructions	
(DE)	BETONSCHLEIFER	10 – 19
	Originalbetriebsanleitung	
(FR)	PONCEUSE À BÉTON	20 – 29
	Notice originale	
(IT)	LEVIGATRICE PER CEMENTO E INTONACO	30 – 38
	Istruzioni originali	
(ES)	FRESADORA PARA HORMIGÓN	39 – 48
	Instrucciones de uso originales	
(PT)	FRESA PARA CONCRETO	49 – 58
	Instrução original para o uso	
(PL)	SZLIFIERKA DO BETONU	59 – 67
	Instrukcja oryginalna	
(RU)	ШЛИФОВАТЕЛЬ ПО БЕТОНУ	68 – 78
	Оригинальная инструкция по эксплуатации	
(UK)	ШЛІФУВАЛЬНИК ПО БЕТОНУ	79 – 88
	Оригінальна інструкція з експлуатації	
(BG)	МАШИНА ЗА ШЛИФОВАНЕ НА БЕТОН	89 – 98
	Оригинална инструкция за използване	



HEAVYDUTY

1400W

FB 514

www.sparky.eu

142397V3

1704R06

© 2011 SPARKY



(EN) **DECLARATION OF CONFORMITY**

We declare under our sole responsibility that the product, described under "Technical specifications", fulfils all the relevant provisions of the following directives and the harmonized standards: 2006/42/EC; 2014/30/EU; 2011/65/EU, EN 60745-1, EN 60745-2-3, EN 55014-1, EN 55014-2, EN 61000-3-2, EN 61000-3-3, EN 50581. Technical file is stored at SPARKY ELTOS AD, Kubrat Str. 9, 5500 Lovech, Bulgaria.

(DE) **KONFORMITÄTSERKLÄRUNG**

Hiermit versichern wir unsere persönliche Haftung, dass Produkt im Abschnitt "Technische Daten" beschrieben" allen einschlägigen Bestimmungen folgender Richtlinien und entsprechender harmonisierten Standards entspricht: 2006/42/EC; 2014/30/EU; 2011/65/EU, EN 60745-1, EN 60745-2-3, EN 55014-1, EN 55014-2, EN 61000-3-2, EN 61000-3-3, EN 50581. Die technischen Unterlagen werden bei SPARKY ELTOS AD, Kubrat Str.9, 5500 Lovech, Bulgarien, aufbewahrt.

(FR) **DECLARATION DE CONFORMITE**

Nous déclarons sous notre responsabilité que le produit décrit dans la rubrique "Données techniques" satisfait à l'ensemble des dispositions pertinentes des présentes directives, respectivement aux normes harmonisées: 2006/42/CE; 2014/30/UE; 2011/65/UE, EN 60745-1, EN 60745-2-3, EN 55014-1, EN 55014-2, EN 61000-3-2, EN 61000-3-3, EN 50581. Le dossier technique est conservé par SPARKY ELTOS AD, 9, rue Kubrat, 5500 Lovech, Bulgarie.

(IT) **DICHIARAZIONE DI CONFORMITÀ**

Noi dichiariamo sotto la nostra personale responsabilità, che il prodotto, descritto nella sezione "Dati tecnici" è in conformità a tutte le disposizioni pertinenti della presente direttiva e norme armonizzate: 2006/42/CE; 2014/30/UE; 2011/65/UE, EN 60745-1, EN 60745-2-3, EN 55014-1, EN 55014-2, EN 61000-3-2, EN 61000-3-3, EN 50581. Il fascicolo tecnico viene custodito presso la SPARKY ELTOS AD, 5500 Lovech, via Kubrat n. 9, Bulgaria.

(ES) **DECLARACIÓN DE CONFORMIDAD**

Declaramos bajo nuestra exclusiva responsabilidad que el producto, descrito en los "Datos técnicos", está conforme con todas las disposiciones aplicables de la presente directrices aplicables y las correspondientes normas armonizadas: 2006/42/CE; 2014/30/UE; 2011/65/UE, EN 60745-1, EN 60745-2-3, EN 55014-1, EN 55014-2, EN 61000-3-2, EN 61000-3-3, EN 50581. El expediente técnico está archivado en SPARKY ELTOS AD, C/ Kubrat, 9, 5500 Lovech, Bulgaria.

6 March 2017

Manufacturer
SPARKY Power Tools GmbH
Leipziger Str. 20
10117 Berlin, GERMANY

(PT) **DECLARAÇÃO DE CONFORMIDADE**

Declaramos assumindo a nossa responsabilidade pessoal que el producto, descrito en los "Datos técnicos", está conforme com todas as disposições relevantes da presente directrizes aplicáveis e respectivos estandartes harmonizados: 2006/42/CE; 2014/30/UE; 2011/65/UE, EN 60745-1, EN 60745-2-3, EN 55014-1, EN 55014-2, EN 61000-3-2, EN 61000-3-3, EN 50581. O expediente técnico fica guardado na SPARKY ELTOS AD, rua Kubrat, 9, 5500 Lovech, Bulgária.

(PL) **DEKLARACJA ZGODNOŚCI**

Niniejszym deklarujemy naszą osobistą odpowiedzialnością, że produkt, przedstawiony w rozdziale „Dane techniczne”, pełni wszystkie odpowiednie postanowienia następujących dyrektyw i harmonizowanych standardów: 2006/42/WE; 2014/30/UE; 2011/65/UE, EN 60745-1, EN 60745-2-3, EN 55014-1, EN 55014-2, EN 61000-3-2, EN 61000-3-3, EN 50581. Teczka techniczna przechowywana jest w SPARKY ELTOS AD, Kubrat Str.9, 5500 Lovech, Bulgaria.

(RU) **ДЕКЛАРАЦИЯ О СООТВЕТСТВИИ**

Мы заявляем со всей ответственностью, что продукт, описанный в разделе "Технические данные", полностью соответствует всем соответствующим требованиям действующих директив и гармонизированных стандартов: 2006/42/EC; 2014/30/EU; 2011/65/EU, EN 60745-1, EN 60745-2-3, EN 55014-1, EN 55014-2, EN 61000-3-2, EN 61000-3-3, EN 50581. Техническое досье хранится в СПАРКИ ЕЛТОС АД, ул. Кубрат №9, 5500 Ловеч, Болгария.

(UK) **ДЕКЛАРАЦІЯ ПРО ВІДПОВІДНІСТЬ**

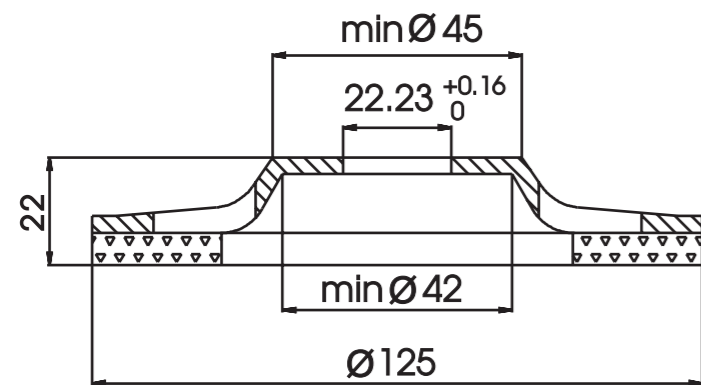
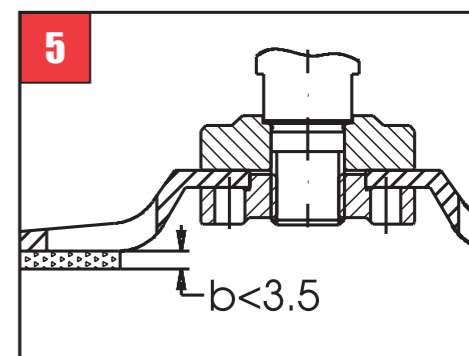
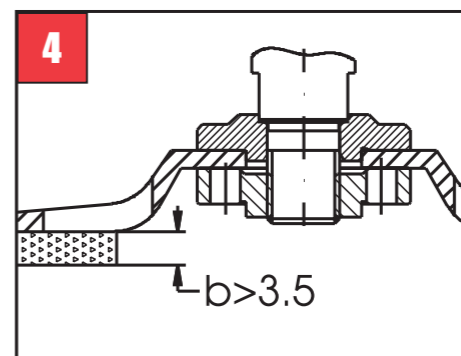
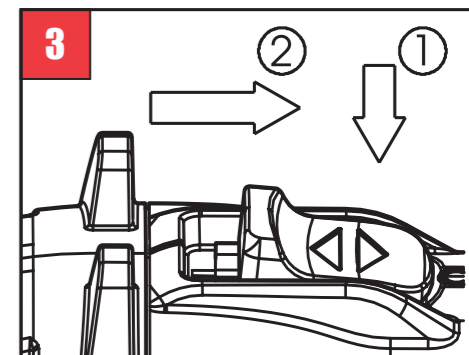
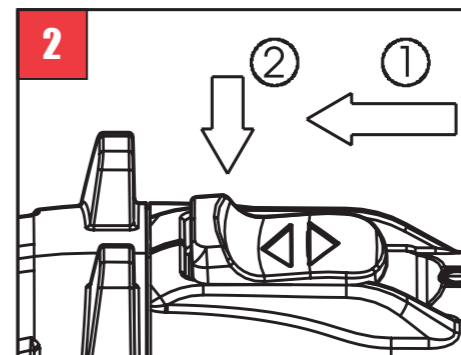
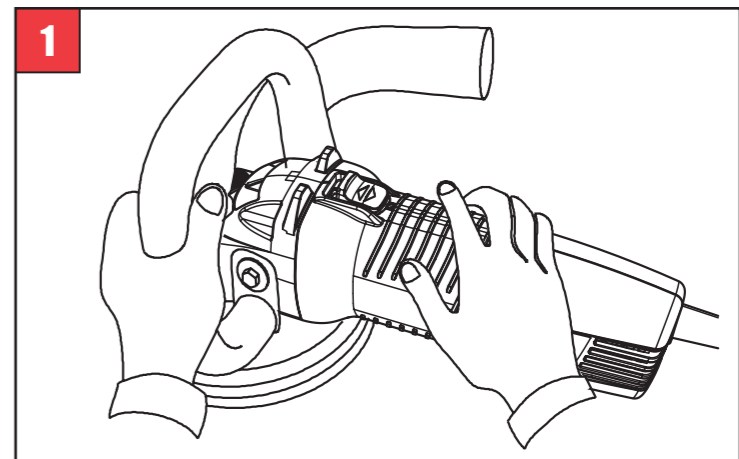
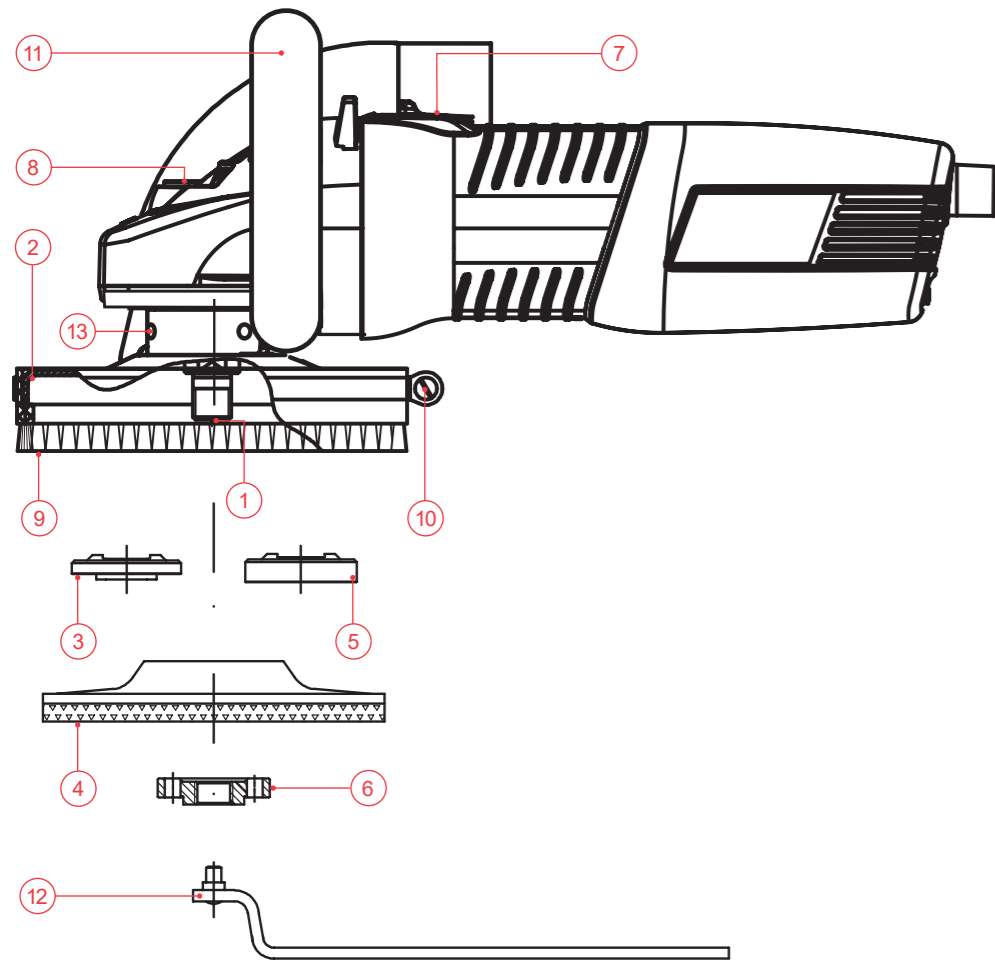
Ми заявляємо під свою власну відповідальність, що продукт, описаний у розділі "Технічні дані" відповідає всім діючим вимогам директив і гармонізованих стандартів: 2006/42/EC; 2014/30/EU; 2011/65/EU, EN 60745-1, EN 60745-2-3, EN 55014-1, EN 55014-2, EN 61000-3-2, EN 61000-3-3, EN 50581. Технічне досьє зберігається в СПАРКИ ЕЛТОС АД, ул. Кубрат № 9, 5500 Ловеч, Болгарія.

(BG) **ДЕКЛАРАЦИЯ ЗА СЪОТВЕТСТВИЕ**

Ние декларираме на своя лична отговорност, че изделието, описано в раздел "Технически данни", отговаря на всички приложими изисквания на следните директиви и хармонизирани стандарти: 2006/42/EC; 2014/30/EU; 2011/65/EU, EN 60745-1, EN 60745-2-3, EN 55014-1, EN 55014-2, EN 61000-3-2, EN 61000-3-3, EN 50581. Техническото досье се съхранява в СПАРКИ ЕЛТОС АД, ул. Кубрат №9, 5500 Ловеч, България.

Signature of authorized person

A. Ivanov
Technical director of SPARKY ELTOS AD



A

Contents

Introduction	1
Technical specifications	3
General power tool safety warnings	4
Concrete grinder safety warnings	5
Know your product	7
Operation	7
Maintenance	8
Warranty	9

UNPACKING

Due to modern mass production techniques, it is unlikely that your power tool is faulty or that a part is missing. If you find anything wrong, do not operate the tool until the parts have been replaced or the fault has been rectified. Failure to do so could result in serious personal injury.

ASSEMBLY

The concrete grinder, packed in a metal case, is fully assembled and ready to be operated.

The concrete grinder, packed in a plastic case, is delivered assembled, the auxiliary handle is mounted but it is not tightened. Select the desired position for the auxiliary handle, and then tighten it by the wrench delivered with the machine.

Introduction

Your new SPARKY power tool will more than satisfy your expectations. It has been manufactured under stringent SPARKY Quality Standards to meet superior performance criteria. You will find your new tool easy and safe to operate, and, with proper care, it will give you many years of dependable service.



WARNING:

Carefully read through these original instructions before using your new SPARKY power tool. Take special care to heed the **Warnings**. Your SPARKY power tool has many features that will make your job faster and easier. Safety, performance, and dependability have been given top priority in the development of this tool, making it easy to maintain and operate.



Do not dispose of electrical products together with household waste!

Waste electrical products should not be disposed of with household waste. Please recycle where facilities exist. Check with your local authority or retailer for recycling advice.



ENVIRONMENTAL PROTECTION

The machine, accessories and packaging should be sorted for environmental-friendly recycling. The plastic components are labelled for categorised recycling.

DESCRIPTION OF SYMBOLS

The rating plate on your tool may show symbols. These represent important information about the product or instructions on its use.



Double insulated for additional protection



Spindle thread: M14



Conforms to the relevant European Directives



Conforms to the requirements of Ukrainian standards



Conforms to the requirements of Customs Union regulations




Refer to original instructions

YYYY-Www Production period, where the variable symbols are:
YYYY - year of manufacture, ww - calendar week number

FB CONCRETE GRINDER

Technical specifications

Model:	FB 514
• Power input	1400 W
• Rated speed	10500 min ⁻¹
• Spindle thread	M14
• Spindle thread length	20 mm
• Cup wheel arbour	Ø22.23 mm
• Cup wheel maximum diameter	Ø125 mm
• New cup wheel maximum thickness	22 mm
• Dust extraction port diameter	Ø35 mm
• Overall dimensions:	
Length	325 mm
Width	190 mm
Height	200 mm
• Weight (EPTA Procedure 01/2014)	3.1 kg
• Safety class (EN 60745-1) 	II

NOISE AND VIBRATION INFORMATION

Measured values determined according to EN 60745.

Noise emission

A-weighted sound pressure level L _{PA}	90 dB (A)
Uncertainty K _{PA}	3 dB (A)
A-weighted sound power level L _{WA}	101 dB (A)
Uncertainty K _{WA}	3 dB (A)

Wear hearing protection!

Vibration emission *

Total vibration values (vector sum in the three axes) determined according to EN 60745:

Grinding concrete

Vibration emission value a _h	5.8 m/s ²
Uncertainty K	1.5 m/s ²

* The vibration emission values are determined according to 6.2.7 EN 60745-1.

The vibration emission level given in this information sheet has been measured in accordance with a standardised test given in EN 60745 and may be used to compare one tool with another. It may be used for a preliminary assessment of exposure.

The declared vibration emission level represents the main applications of the tool. However if the tool is used for different applications, with different accessories or poorly maintained, the vibration emission may differ. This may significantly increase the exposure level over the total working period.

An estimation of the level of exposure to vibration should also take into account the times when the tool is switched off or when it is running but not actually doing the job. This may significantly reduce the exposure level over the total working period.

Maintain the power tool and the accessories and keep your hands warm during operation to reduce the harmful effect of vibrations.

Dust from material such as paint containing lead, some wood species, minerals and metal may be harmful. Contact with or inhalation of the dust may cause allergic reactions and/or respiratory diseases to the operator or bystanders.

Certain kinds of dust are classified as carcinogenic such as oak and beech dust especially in conjunction with additives for wood conditioning (chromate, wood preservative). Material containing asbestos must only be treated by specialists.

- Where the use of a dust extraction device is possible it shall be used.
- To achieve a high level of dust collection, use vacuum cleaner for wood or for wood and/or minerals together with this tool.
- The work place must be well ventilated.
- The use of a dust mask of filter class P2 is recommended.

Follow national requirements for the materials you want to work with.

General power tool safety warnings



WARNING! Read all safety warnings and all instructions. Failure to follow the warnings and instructions may result in electric shock, fire and/or serious injury.

Save all warnings and instructions for future reference.

The term "power tool" in the warnings refers to your mains-operated (corded) power tool or battery-operated (cordless) power tool.

1. WORK AREA SAFETY

- Keep work area clean and well lit. Cluttered or dark areas invite accidents.
- Do not operate power tools in explosive atmospheres, such as in the presence of flammable liquids, gases or dust. Power tools create sparks which may ignite the dust or fumes.
- Keep children and bystanders away while operating a power tool. Distractions can cause you to lose control.

2. ELECTRICAL SAFETY

- Power tool plugs must match the outlet. Never modify the plug in any way. Do not use any adapter plugs with earthed (grounded) power tools. Unmodified plugs and matching outlets will reduce risk of electric shock.
- Avoid body contact with earthed or grounded surfaces, such as pipes, radiators, ranges and refrigerators. There is an increased risk of electric shock if your body is earthed or grounded.
- Do not expose power tools to rain or wet conditions. Water entering a power tool will increase the risk of electric shock.
- Do not abuse the cord. Never use the cord for carrying, pulling or unplugging the power tool. Keep cord away from heat, oil, sharp edges or moving parts. Damaged or entangled cords increase the risk of electric shock.
- When operating a power tool outdoors, use an extension cord suitable for outdoor use. Use of a cord suitable for outdoor use reduces the risk of electric shock.
- If operating a power tool in a damp location is unavoidable, use a residual current device (RCD) protected supply. Use of an RCD reduces the risk of electric shock.

3. PERSONAL SAFETY

- Stay alert, watch what you are doing and use common sense when operating a power tool. Do not use a power tool while you are tired or under the influence of drugs, alcohol or medication. A moment of inattention while operating power tools may result in serious personal injury.

- Use personal protective equipment. Always wear eye protection. Protective equipment such as dust mask, non-skid safety shoes, hard hat, or hearing protection used for appropriate conditions will reduce personal injuries.
- Prevent unintentional starting. Ensure the switch is in the off-position before connecting to power source and/or battery pack, picking up or carrying the tool. Carrying power tools with your finger on the switch or energising power tools that have the switch on invites accidents.
- Remove any adjusting key or wrench before turning the power tool on. A wrench or a key left attached to a rotating part of the power tool may result in personal injury.
- Do not overreach. Keep proper footing and balance at all times. This enables better control of the power tool in unexpected situations.
- Dress properly. Do not wear loose clothing or jewellery. Keep your hair, clothing and gloves away from moving parts. Loose clothes, jewellery or long hair can be caught in moving parts.
- If devices are provided for the connection of dust extraction and collection facilities, ensure these are connected and properly used. Use of dust collection can reduce dust-related hazards.

4. POWER TOOL USE AND CARE

- Do not force the power tool. Use the correct power tool for your application. The correct power tool will do the job better and safer at the rate for which it was designed.
- Do not use the power tool if the switch does not turn it on and off. Any power tool that cannot be controlled with the switch is dangerous and must be repaired.
- Disconnect the plug from the power source and/or the battery pack from the power tool before making any adjustments, changing accessories, or storing power tools. Such preventive safety measures reduce the risk of starting the power tool accidentally.
- Store idle power tools out of the reach of children and do not allow persons unfamiliar with the power tool or these instructions to operate the power tool. Power tools are dangerous in the hands of untrained users.
- Maintain power tools. Check for misalignment or binding of moving parts, breakage of parts and any other condition that may affect the power tool's operation. If damaged, have the power tool repaired before use. Many accidents are caused by poorly maintained power tools.
- Keep cutting tools sharp and clean. Properly maintained cutting tools with sharp cutting edges are less likely to bind and are easier to control.
- Use the power tool, accessories and tool bits etc. in accordance with these instructions, taking into account the working conditions and the work to be performed. Use of the power tool for operations different from those intended could result in a hazardous situation.

5. SERVICE

- a) Have your power tool serviced by a qualified repair person using only identical replacement parts. This will ensure that the safety of the power tool is maintained.

Concrete grinder safety warnings

Safety Warnings Common for Grinding:

- a) This power tool is intended to function as a grinder. Read all safety warnings, instructions, illustrations and specifications provided with this power tool. Failure to follow all instructions listed below may result in electric shock, fire and/or serious injury.
- b) This power tool is not recommended for sanding, wire brushing, polishing or cutting-off. Operations for which the power tool was not designed may create a hazard and cause personal injury.
- c) Do not use accessories which are not specifically designed and recommended by the tool manufacturer. Just because the accessory can be attached to your power tool, it does not assure safe operation.
- d) The rated speed of the accessory must be at least equal to the maximum speed marked on the power tool. Accessories running faster than their rated speed can break and fly apart.
- e) The outside diameter and the thickness of your accessory must be within the capacity rating of your power tool. Incorrectly sized accessories cannot be adequately guarded or controlled.
- f) Threaded mounting of accessories must match the grinder spindle thread. For accessories mounted by flanges, the arbour hole of the accessory must fit the locating diameter of the flange. Accessories that do not match the mounting hardware of the power tool will run out of balance, vibrate excessively and may cause loss of control.
- g) Do not use a damaged accessory. Before each use inspect the accessory such as abrasive wheels for chips and cracks, backing pad for cracks, tear or excess wear, wire brush for loose or cracked wires. If power tool or accessory is dropped, inspect for damage or install an undamaged accessory. After inspecting and installing an accessory, position yourself and bystanders away from the plane of the rotating accessory and run the power tool at maximum no-load speed for one minute. Damaged accessories will normally break apart during this test time.
- h) Wear personal protective equipment. Depending on application, use face shield, safety goggles or safety glasses. As appropriate, wear dust mask, hearing protectors, gloves and workshop apron capable of stopping small abrasive or workpiece fragments. The eye protection must be capable of stopping flying debris

generated by various operations. The dust mask or respirator must be capable of filtering particles generated by your operation. Prolonged exposure to high intensity noise may cause hearing loss.

- i) Keep bystanders a safe distance away from work area. Anyone entering the work area must wear personal protective equipment. Fragments of workpiece or of a broken accessory may fly away and cause injury beyond immediate area of operation.
- j) Hold the power tool by insulated gripping surfaces only, when performing an operation where the cutting accessory may contact hidden wiring. Cutting accessory contacting a "live" wire may make exposed metal parts of the power tool "live" and could give the operator an electric shock.
- k) Position the cord clear of the spinning accessory. If you lose control, the cord may be cut or snagged and your hand or arm may be pulled into the spinning accessory.
- l) Never lay the power tool down until the accessory has come to a complete stop. The spinning accessory may grab the surface and pull the power tool out of your control.
- m) Do not run the power tool while carrying it at your side. Accidental contact with the spinning accessory could snag your clothing, pulling the accessory into your body.
- n) Regularly clean the power tool's air vents. The motor's fan will draw the dust inside the housing and excessive accumulation of powdered metal may cause electrical hazards.
- o) Do not operate the power tool near flammable materials. Sparks could ignite these materials.
- p) Do not use accessories that require liquid coolants. Using water or other liquid coolants may result in electrocution or shock.

Further safety instructions for all operations

Kickback and Related Warnings

Kickback is a sudden reaction to a pinched or snagged rotating wheel, backing pad, brush or any other accessory. Pinching or snagging causes rapid stalling of the rotating accessory which in turn causes the uncontrolled power tool to be forced in the direction opposite of the accessory's rotation at the point of the binding.

For example, if an abrasive wheel is snagged or pinched by the workpiece, the edge of the wheel that is entering into the pinch point can dig into the surface of the material causing the wheel to climb out or kick out. The wheel may either jump toward or away from the operator, depending on direction of the wheel's movement at the point of pinching. Abrasive wheels may also break under these conditions.

Kickback is the result of power tool misuse and/or incorrect operating procedures or conditions and can be avoided by taking proper precautions as given below.

- a) Maintain a firm grip on the power tool and position your body and arm to allow you to resist kickback forces. Always use auxiliary handle, if provided, for maximum control over kickback or torque reaction during start-up. The operator can control torque reactions or kickback

forces, if proper precautions are taken.

- b) **Never place your hand near the rotating accessory.** *Accessory may kickback over your hand.*
- c) **Do not position your body in the area where power tool will move if kickback occurs.** *Kickback will propel the tool in direction opposite to the wheel's movement at the point of snagging.*
- d) **Use special care when working corners, sharp edges etc. Avoid bouncing and snagging the accessory.** *Corners, sharp edges or bouncing have a tendency to snag the rotating accessory and cause loss of control or kickback.*
- e) **Do not attach a saw chain woodcarving blade or toothed saw blade.** *Such blades create frequent kickback and loss of control.*
 - **Fix the machined piece in vice or in another appropriate way.**

Safety Warnings Specific for Grinding:

- a) **Use only wheel types that are recommended for your power tool and the specific guard designed for the selected wheel.** *Wheels for which the power tool was not designed cannot be adequately guarded and are unsafe.*
- b) **The grinding surface of centre depressed wheels must be mounted below the plane of the guard lip.** *An improperly mounted wheel that projects through the plane of the guard lip cannot be adequately protected.*
- c) **The guard must be securely attached to the power tool and positioned for maximum safety, so the least amount of wheel is exposed towards the operator.** *The guard helps to protect the operator from broken wheel fragments, accidental contact with wheel and sparks that could ignite clothing.*
- d) **Wheels must be used only for recommended applications.** *For example: do not grind with the side of cut-off wheel. Abrasive cut-off wheels are intended for peripheral grinding, side forces applied to these wheels may cause them to shatter.*
- e) **Always use undamaged wheel flanges that are of correct size and shape for your selected wheel. Proper wheel flanges support the wheel thus reducing the possibility of wheel breakage.** *Flanges for cut-off wheels may be different from grinding wheel flanges.*

Additional Safety Warnings



WARNING: Before connecting a tool to a power source be sure that the voltage supply is the same as that specified on the nameplate of the tool.

- A power source with a voltage greater than that specified for the tool can result in serious injury to the user, as well as damage to the tool.
- If in doubt, do not plug in the tool.
- Using a power source with a voltage less than the nameplate rating is harmful to the motor.



Always wear eye and ear protection and use a dust mask. The dust and abrasive particles

separated during operation may seriously injure your health.

- **When operating in dusty environment, the ventilation slots must be kept clean.** If it should become necessary to clear dust, **first disconnect the tool from the mains supply (remove the battery) use non metallic objects to clean the dust and avoid damaging internal parts.** *The power tool will overheat under deteriorated cooling due to the clogged with dust ventilation slots.*
- **Hold power tool by insulated gripping surfaces only, when performing an operation where the cutting accessory may contact hidden wiring or its own cord.** *Cutting accessory contacting a "live" wire may make exposed metal parts of the power tool "live" and could give the operator an electric shock.*
- **Always switch off and unplug the power tool prior to any adjustment, servicing or maintenance.**
- The outer metal parts and the bits may get hot after continuous operation.
- Use clamps or a vice to secure your work whenever possible.
- Always switch off the machine and wait until the spindle has come to a complete standstill before placing it down.
- Do not force the machine: let the tool do the work at a reasonable speed. Overloading will occur if too much pressure is applied and the motor slows resulting in inefficient work and possible damage to the motor.
- Rags, cloths, cord, string and the like should never be left around the work area.
- Remove any nails, screws, etc. from the processed surface.
- Before using the tool on an actual work piece, switch on and let it run for a while. Operate the tool at least 200 mm away from your face and body.
- Always be sure you have a firm footing. Be sure no one is below when using the tool in high locations.
- Hold the power tool firmly.
- Keep your hands away from rotating parts. Do not touch the bit or the work piece immediately after operation - they may be extremely hot and you may get serious burns.
- The tool must be used only for its prescribed purpose. Any use other than those mentioned in this Manual will be considered a case of misuse. The user and not the manufacturer shall be liable for any damage or injury resulting from such cases of misuse.
- To use this tool properly, you must observe the safety regulations, the assembly instructions and the operating instructions found in this Manual. All persons who use and service the machine have to be acquainted with this Manual and must be informed about its potential hazards. Children and frail people must not use this tool. Children should be supervised at all times if they are in the area in which the tool is being used. It is also imperative that you observe the accident prevention regulations in force in your area. The same applies for general rules of occupational health and safety.
- The manufacturer shall not be liable for any changes made to the tool nor for any damage resulting from such changes.

Even when the tool is used as prescribed it is not possible to eliminate all residual risk factors. The following hazards may arise in connection with the tool's construction and design:

- Damage to hearing if effective hearing protection is not worn.
- Always unplug the machine prior to any adjustment, servicing or maintenance including replacing the accessories.
- The power tools must not be used outdoors in rainy weather, or in moist environment (after rain) or in close vicinity with easily flammable liquids and gases. The working place should be well lit.

Know your product

Before using the power tool, familiarize yourself with all the operating features and safety requirements.

Use the tool and accessories only for the applications intended. All other applications are expressly ruled out.

1. Spindle
2. Wheel guard
3. Base support washer
4. Diamond cup wheel
5. Flat support washer
6. Lock nut
7. ON/OFF switch
8. Spindle lock button
9. Brush shield
10. Fastening bracket
11. Auxiliary handle
12. Lock nut wrench
13. Screw

Operation

This power tool is supplied from single-phase alternating current mains only. It is double insulated according to EN 60745-1, IEC 60745 and can be connected to grounded or not grounded sockets. This power tool is radio suppressed in compliance with EMC Directive.

This power tool is designed for rough and fine grinding concrete and rock material with the purpose of refurbishing before laying plaster and protective coating. The machine is designed for dry grinding only.

PRIOR TO INITIAL OPERATION

- Make sure the power supply voltage corresponds to the value indicated on the name plate with technical data of the tool.
- Always check the position of ON/OFF switch. The power tool must be connected to the power supply socket only when this switch is in OFF position.
- Make sure that the cord and the plug are in order. If the replacement of the supply cord is necessary, this has to be done by the manufacturer or his agent in order to avoid a safety hazard.



WARNING: Always switch off and unplug the power tool prior to any adjustment, servicing or maintenance.

- When using diamond cutting discs, pay attention that the direction-of-rotation arrow on the diamond cutting disc and the direction of rotation of the machine (see direction-of-rotation arrow on the machine head) agree.
- Always use the auxiliary handle and hold the machine firmly with both hands for maximum control over torque reaction or kickback upon starting. (Fig. 1)

SWITCHING ON - SWITCHING OFF

Before plugging in the tool, always check to see that the switch trigger actuates properly and returns to the "OFF" position when released.

1. To switch on: Push the slider of the switch slider (7) forward until its front end sags thus fixing itself. (Fig. 2)
2. To switch off: Press the back lifted end of the switch slider (7) and release it in order to move back in its initial position. (Fig. 3)

ELECTRONIC DEVICE

This power tool is equipped with an electronic device featuring:

- Safety upon mains drop-out: In case of mains drop-out (or temporary drop-out for time $t > 0,5$ s), when the ON/OFF switch is in ON position, the machine should not operate after supply recovering. To start operating the machine, first switch off and then switch on the lever of ON/OFF switch.
- Soft start and overload protection: This feature ensures starting without jerks and prevents origination of supply voltage fluctuations;
- Virtually constant speed under wide range of loads;
- Brief overload protection: Upon major brief overloads a current overload protection actuates, which reduces harshly the rotation speed. To resume normal operation withdraw the machine from the material.
- Thermal overload protection: Upon minor long overloads, the thermal overload protection actuates. The electronic device switches the machine off before the temperature reaches critical value and the machine switches from operating to safety mode with lower motor speed. The normal operation is disabled. In safety mode the motor rotates with lower speed to facilitate cooling, but the machine is DISABLED. After cooling down for 3-5 minutes the machine can be operated again. To resume operation switch the trigger off and on again.

WHEEL GUARD

The wheel guard (2) must always be mounted on the machine!

ASSEMBLY, REPLACING AND ADJUSTING THE CUP WHEEL POSITION

Make sure the cup wheel diameter and thickness do not exceed the values stated in the technical specifications. The maximum admissible speed indicated on the wheel

must not be less than the machine no load speed.

Fix the spindle (1) by pressing the lock button (8) on the gear case.



WARNING: Never press button (8) while the spindle is still rotating!

With this button depressed turn the spindle till its pronounced going deeper. Unscrew lock nut (6) by the lock nut wrench (12).

In view of the cup wheel wear and in order to achieve optimum dust extraction a possibility is provided to adjust the cup wheel position to the wear of the cup wheel.

When placing a new cup wheel arrange the components on the spindle in the following order: base support washer (3); cup wheel (4); lock nut (6) with its flat end towards the cup wheel as shown on Fig. 4.



WARNING: Placing the lock nut (6) with its convex end towards the cup wheel shall make tightening the cup wheel impossible.

In case the cup wheel is half worn out or more, arrange the components on the spindle in the following order: flat support washer (5); cup wheel (4); lock nut (6) with its convex end towards the cup wheel as shown on Fig. 5.



WARNING: Placing the lock nut with its flat end towards the cup wheel shall obstruct centring the cup wheel thus causing excessive vibration and may result in personal injury.



WARNING: After replacing the wheel, operate the machine with the new wheel at no load mode for minimum 30 seconds. Vibrating or otherwise improperly rotating wheels must be replaced immediately and discarded.

In case of changing the cup wheel position adjust it or replace the brush shield if necessary.

ADJUSTING (REPLACING) THE BRUSH SHIELD POSITION

The brush shield (9) ensures decreasing the dust emission in the environment to the utmost. The brush shield wears out along with the wheel. When replacing the wheel if necessary change the brush as well. Loosen the screw in bracket (10) and remove the old brush. Place the new brush, taking care that the edge of the wheel guard (2) contacts the brush rib. Place the bracket (10) back and fasten it.

AUXILIARY HANDLE

The auxiliary handle (11) is fastened to the gear case through two screws. Always use the auxiliary handle and hold the machine firmly with both hands. (Fig. 1)

DUST EXTRACTION

This power tool must only be used with a dust extraction system. In addition, always wear approved dust mask. Always make sure the vacuum cleaner that you use is designed for extraction of masonry dust. Connect the vacuum cleaner to the dust extraction port on the wheel guard.

We recommend using industrial vacuum cleaner with minimum technical parameters: airflow 60 l/s and created sub-pressure (vacuum) 180 mbar.

ACCESSORIES TO BE USED WITH THIS POWER TOOL

Diamond cup wheel Ø125 x Ø22.23 x 22 mm

WARNING! These accessories or attachments are recommended for use with your SPARKY tool specified in this manual. The use of any other accessories or attachments might present a risk of injury to persons. Only use accessory or attachment for its stated purpose. If you need any assistance for more details regarding these accessories, ask your local SPARKY service centre.

Maintenance



WARNING: Always ensure that the tool is switched off and unplugged before attempting to perform inspection or maintenance.

BRUSH REPLACEMENT

This power tool is equipped with auto-stop brushes. When the carbon brushes are worn out, the machine switches itself off. In this case both brushes must be replaced simultaneously with genuine brushes at SPARKY service centre for warranty and post-warranty service.

GENERAL INSPECTION

Regularly inspect all fasteners and ensure they are properly tightened. Should any of the screws be loose, retighten it immediately to avoid hazards.

In case the screws (13) loosen they have to be tightened firmly. Prior to tightening you must lay thread locking adhesive over each screw thread.

Re-lubricate all moving parts at regular intervals.

If the replacement of the supply cord is necessary, this has to be done by the manufacturer or his agent in order to avoid a safety hazard.

CLEANING

For safe operation always keep the machine and its ventilation slots clean.

Regularly check to see if any dust or foreign matter has entered the grills near the motor and around the switches. Use a soft brush and/or air jet to remove any accumulated dust. Wear safety glasses to protect your eyes whilst cleaning.

Exterior plastic parts may be cleaned with a damp cloth and mild detergent if necessary.



WARNING: Never use alcohol, petrol or other cleaning agent. Never use caustic agents to clean plastic parts.



WARNING: Water must never come into contact with the tool.

IMPORTANT! To assure product safety and reliability, repairs, maintenance and adjustment (including brush inspection and replacement) should be performed by certified service centres or other qualified service organisations, always using genuine replacement parts.

Warranty

The guarantee period for SPARKY power tools is determined in the guarantee card.

Faults due to normal wear, overloading or improper handling will be excluded from the guarantee.

Faults due to defective materials implemented as well as defects in workmanship will be corrected free of charge through replacement or repair.

The complaints for defective SPARKY power tools will be recognized if the machine is sent back to the dealer or is presented to the authorised warranty service centre undismantled, in its initial condition.

Notes

Carefully read the entire Original Instructions before using this product.

The manufacturer reserves the right to make changes and improvements to the products and to alter specifications without prior notice.

Specifications may differ from country to country.

Inhalt

Einführung.....	10
Technische Angaben	12
Allgemeine Sicherheitshinweise für Elektrowerkzeuge	13
Sicherheitshinweise für Betonschleifer	14
Bestandteile des Elektrowerkzeugs	16
Betriebsanweisungen.....	17
Wartung	18
Garantie.....	19

AUSPACKEN

Überprüfen Sie unmittelbar nach dem Auspacken ob sämtliche Bestandteile und das beschriebene Zubehör mitgeliefert wurden. Sollte dies nicht der Fall sein, wenden Sie sich bitte umgehend an Ihren Fachhändler bei dem das Elektrowerkzeug gekauft wurde. Dies trifft auch dann zu, wenn Sie den Eindruck haben mit dem Gerät ist etwas nicht in Ordnung. Eine Nichtbeachtung dieser Empfehlung kann zu schweren Unfällen führen.

ZUSAMMENBAU

Der Betonschleifer ist vormontiert und betriebsfertig, in einer Metallgehäuse lieferbar.

Der Betonschleifer ist vormontiert und verpackt in einem Kunststoff-Gehäuse, mit angesetztem jedoch nicht fest angezogenem Zusatzhandgriff lieferbar. Der Zusatzhandgriff wird nach der Wahl der gewünschten Arbeitsposition mit Hilfe des in der Packung angelegten Schlüssels befestigt.

Einführung

Das von Ihnen erworbene Elektrowerkzeug wird Ihre Erwartungen übersteigen. Es ist gemäß den hohen Qualitätsstandards von SPARKY hergestellt, die den strengen Anforderungen des Verbrauchers entsprechen. Einfach in der Bedienung und ungefährlich bei richtiger Handhabung, wird dieses Gerät bei bestimmungsgemäßem Gebrauch Ihnen lange Jahre zuverlässig dienen.

WARNUNG!



Lesen Sie die ganze Bedienungsanleitung aufmerksam durch, bevor Sie das neu erworbene SPARKY – Elektrowerkzeug in Betrieb nehmen. Beachten Sie besonders die Texte, die mit dem Wört „**Warnung**“ beginnen. Ihr SPARKY - Elektrowerkzeug besitzt viele Eigenschaften, die Ihre Arbeit erleichtern werden. Bei der Entwicklung dieses Elektrowerkzeuges ist höchste Aufmerksamkeit der Sicherheit, den Betriebseigenschaften und der Zuverlässigkeit gewidmet worden, die es einfach zur Wartung und Bedienung machen.



Keine elektrischen Geräte zusammen mit dem Hausmüll wegwerfen!

Die Abfälle von elektrischen Erzeugnissen sollen nicht zusammen mit dem Hausmüll gesammelt werden. Für eine umweltgerechte Entsorgung geben Sie Ihre alten / defekten Elektrogeräte bitte in der nächsten kommunalen Sammelstelle ab.



UMWELTSCHUTZ

Angesichts des Umweltschutzes sollten das Elektrowerkzeug, die Zubehörteile und die Verpackung einer geeigneten Wiederverwertung zugeführt werden. Zum sortenreinen Recycling sind die Teile, hergestellt aus Kunststoffen, entsprechend gekennzeichnet.

BEDEUTUNG DER SYMBOLE

Auf dem Typenschild des Elektrowerkzeuges sind spezielle Symbole dargestellt. Sie stellen wichtige Information über das Produkt oder Instruktionen für seine Nutzung dar.



Doppelte Isolierung für zusätzlichen Schutz



Spindelgewinde: M14



Entspricht den einschlägigen Europäischen Richtlinien



Entspricht den Anforderungen der ukrainischen normativen Dokumenten



Entspricht den Anforderungen der Zollunion-Regelungen



Lesen Sie die Bedienungsanleitung

YYYY-Www

Zeitabschnitt der Produktion, wobei die variablen Symbole sind:
YYYY - Kalenderjahr der Produktion, ww - laufende Kalenderwoche

FB

BETONSCHEIFER

Technische Angaben

Modell:	FB 514
• Aufnahmeleistung	1400 W
• Bemessungsdrehzahl	10500 min ⁻¹
• Anschlussgewinde der Spindel	M14
• Gewindelänge der Spindel	20 mm
• Anschlussdurchmesser der Schleifscheibe	Ø22,23 mm
• Höchster Durchmesser der Schleifscheibe	Ø125 mm
• Höchste Dicke einer neuen Schleifscheibe	22 mm
• Durchmesser der Öffnung zum Anschluss der Staubabführung	Ø35 mm
• Abmessungen:	
Länge	325 mm
Breite	190 mm
Höhe	200 mm
• Gewicht (EPTA Procedure 01/2014)	3,1 kg
• Schutzklasse (EN 60745-1) <input type="checkbox"/>	II

GERÄUSCH-/VIBRATIONSINFORMATION

Messwerte ermittelt entsprechend EN 60745.

Geräuschemissionswerte

Der A-bewertete Schalldruckpegel L _{PA}	90 dB (A)
Unsicherheit K _{PA}	3 dB (A)
Der A-bewertete Schalleistungspegel L _{WA}	101 dB (A)
Unsicherheit K _{WA}	3 dB (A)

Gehörschutz tragen!

Schwingungsemissionswerte *

Schwingungsgesamtwerte (Vektorsumme dreier Richtungen) ermittelt entsprechend EN 60745: Fräsen von Beton

Schwingungsemissionswert a _R	5,8 m/s ²
Unsicherheit K	1,5 m/s ²

* Messwerte ermittelt nach 6.2.7 EN 60 745-1.

Der in diesen Anweisungen angegebene Schwingungspegel ist entsprechend einem in EN 60745 genormten Messverfahren gemessen worden und kann für den Vergleich von Elektrowerkzeugen miteinander verwendet werden. Er eignet sich auch für eine vorläufige Einschätzung der Schwingungsbelastung.

Der angegebene Schwingungspegel repräsentiert die hauptsächlichen Anwendungen des Elektrowerkzeugs. Wenn allerdings das Elektrowerkzeug für andere Anwendungen, mit abweichenden Einsatzwerkzeugen oder ungenügender Wartung eingesetzt wird, kann der Schwingungspegel abweichen. Dies kann die Schwingungsbelastung über den gesamten Arbeitszeitraum deutlich erhöhen.

Für eine genaue Abschätzung der Schwingungsbelastung sollten auch die Zeiten berücksichtigt werden, in denen das Gerät abgeschaltet ist oder zwar läuft, aber nicht tatsächlich im Einsatz ist. Dies kann die Schwingungsbelastung über den gesamten Arbeitszeitraum deutlich reduzieren.

Pflegen Sie das Gerät und die Einsatzwerkzeuge mit Sorgfalt. Halten Sie Ihre Hände warm während der Arbeit – dies wird die schädliche Einwirkung erhöhter Schwingungen reduzieren.

Stäube von Materialien wie bleihaltigem Anstrich, einigen Holzarten, Mineralien und Metall können gesundheitsschädlich sein. Berühren oder Einatmen der Stäube können allergische Reaktionen und/oder Atemwegserkrankungen des Benutzers oder in der Nähe befindlicher Personen hervorrufen.

Bestimmte Stäube wie Eichen- oder Buchenstaub gelten als krebserzeugend, besonders in Verbindung mit Zusatzstoffen zur Holzbehandlung (Chromat, Holzschutzmittel). Asbesthaltiges Material darf nur von Fachleuten bearbeitet werden.

- Benutzen Sie möglichst eine Staubabsaugung.
- Um bei der Arbeit mit diesem Elektrowerkzeug ein gutes Staubabfangen zu gewährleisten, benutzen Sie einen Staubabsauger, der für Holzstaub oder für Holz- und mineralischen Staub bestimmt ist.
- Sorgen Sie für gute Belüftung des Arbeitsplatzes.
- Es wird empfohlen, eine Atemschutzmaske mit Filterklasse P2 zu tragen.

Beachten Sie in Ihrem Land gültige Vorschriften für die zu bearbeitenden Materialien.

Allgemeine Sicherheitshinweise für Elektrowerkzeuge



WARNUNG! Lesen Sie alle Sicherheitshinweise und Anweisungen. Versäumnisse bei der Einhaltung der Sicherheitshinweise und Anweisungen können elektrischen Schlag, Brand und/oder schwere Verletzungen verursachen.

Bewahren Sie alle Sicherheitshinweise und Anweisungen für die Zukunft auf.

Der in den Sicherheitshinweisen verwendete Begriff „Elektrowerkzeug“ bezieht sich auf netzbetriebene Elektrowerkzeuge (mit Netzkabel) und auf akkubetriebene Elektrowerkzeuge (ohne Netzkabel).

1. ARBEITSPLATZSICHERHEIT

- Halten Sie Ihren Arbeitsbereich sauber und gut beleuchtet. Unordnung oder unbeleuchtete Arbeitsbereiche können zu Unfällen führen.
- Arbeiten Sie mit dem Elektrowerkzeug nicht in explosionsgefährdeter Umgebung, in der sich brennbare Flüssigkeiten, Gase oder Stäube befinden. Elektrowerkzeuge erzeugen Funken, die den Staub oder die Dämpfe entzünden können.
- Halten Sie Kinder und andere Personen während der Benutzung des Elektrowerkzeugs fern. Bei Ablenkung können Sie die Kontrolle über das Gerät verlieren.

2. ELEKTRISCHE SICHERHEIT

- Der Anschlussstecker des Elektrowerkzeuges muss in die Steckdose passen. Der Stecker darf in keiner Weise verändert werden. Verwenden Sie keine Adapterstecker gemeinsam mit Schutzgeerdeten Elektrowerkzeugen. Unveränderte Stecker und passende Steckdosen verringern das Risiko eines elektrischen Schlages.
- Vermeiden Sie Körperkontakt mit geerdeten Oberflächen wie von Rohren, Heizungen, Herden und Kühlschränken. Es besteht ein erhöhtes Risiko durch elektrischen Schlag, wenn Ihr Körper geerdet ist.
- Halten Sie Elektrowerkzeuge von Regen oder Nässe fern. Das Eindringen von Wasser in ein Elektrowerkzeug erhöht das Risiko eines elektrischen Schlages.
- Zweckentfremden Sie das Kabel nicht, um das Elektrowerkzeug zu tragen, aufzuhängen oder um den Stecker aus der Steckdose zu ziehen. Halten Sie das Kabel fern von Hitze, Öl, scharfen Kanten oder sich bewegenden Geräteteilen. Beschädigte oder verwickelte Kabel erhöhen das Risiko eines elektrischen Schlages.
- Wenn Sie mit einem Elektrowerkzeug im Freien arbeiten, verwenden Sie nur Verlängerungskabel, die auch für den Außenbereich geeignet

sind. Die Anwendung eines für den Außenbereich geeigneten Verlängerungskabels verringert das Risiko eines elektrischen Schlages.

- Wenn der Betrieb des Elektrowerkzeuges in feuchter Umgebung nicht vermeidbar ist, verwenden Sie einen Fehlerstromschutzschalter. Der Einsatz eines Fehlerstromschutzschalters vermindert das Risiko eines elektrischen Schlages.

3. SICHERHEIT VON PERSONEN

- Seien Sie aufmerksam, achten Sie darauf, was Sie tun, und gehen Sie mit Vernunft an die Arbeit mit einem Elektrowerkzeug. Benutzen Sie kein Elektrowerkzeug, wenn Sie müde sind oder unter dem Einfluss von Drogen, Alkohol oder Medikamenten stehen. Ein Moment der Unachtsamkeit beim Gebrauch des Elektrowerkzeuges kann zu ernsthaften Verletzungen führen.
- Tragen Sie persönliche Schutzausrüstung und immer eine Schutzbrille. Das Tragen persönlicher Schutzausrüstung, wie Staubmaske, rutschfeste Sicherheitsschuhe, Schutzhelm oder Gehörschutz, je nach Art und Einsatz des Elektrowerkzeuges, verringert das Risiko von Verletzungen.
- Vermeiden Sie eine unbeabsichtigte Inbetriebnahme. Vergewissern Sie sich, dass das Elektrowerkzeug ausgeschaltet ist, bevor Sie es an die Stromversorgung und/oder den Akku anschließen, es aufnehmen oder tragen. Wenn Sie beim Tragen des Elektrowerkzeuges den Finger am Schalter haben oder das Gerät eingeschaltet an die Stromversorgung anschließen, kann dies zu Unfällen führen.
- Entfernen Sie Einstellwerkzeuge oder Schraubenschlüssel, bevor Sie das Elektrowerkzeug einschalten. Ein Werkzeug oder Schlüssel, der sich in einem drehenden Geräteteil befindet, kann zu Verletzungen führen.
- Vermeiden Sie eine abnormale Körperhaltung. Sorgen Sie für einen sicheren Stand und halten Sie jederzeit das Gleichgewicht. Dadurch können Sie das Elektrowerkzeug in unerwarteten Situationen besser kontrollieren.
- Tragen Sie geeignete Kleidung. Tragen Sie keine weite Kleidung oder Schmuck. Halten Sie Haare, Kleidung und Handschuhe fern von sich bewegenden Teilen. Lockere Kleidung, Schmuck oder lange Haare können von sich bewegenden Teilen erfasst werden.
- Wenn Staubabsaug- und -auffangeinrichtungen montiert werden können, vergewissern Sie sich, dass diese angeschlossen sind und richtig verwendet werden. Verwendung einer Staubabsaugung kann Gefährdungen durch Staub verringern.

4. VERWENDUNG UND BEHANDLUNG DES ELEKTROWERKZEUGES

- Überlasten Sie das Gerät nicht. Verwenden Sie für Ihre Arbeit das dafür bestimmte Elektrowerkzeug. Mit dem passenden Elektrowerkzeug arbeiten Sie besser und sicherer im angegebenen Leistungsbereich.

- b) **Benutzen Sie kein Elektrowerkzeug, dessen Schalter defekt ist.** Ein Elektrowerkzeug, das sich nicht mehr ein- oder ausschalten lässt, ist gefährlich und muss repariert werden.
- c) **Ziehen Sie den Stecker aus der Steckdose und/oder entfernen Sie den Akku, bevor Sie Geräteeinstellungen vornehmen, Zubehörteile wechseln oder das Gerät weglegen.** Diese Vorsichtsmaßnahme verhindert den unbeabsichtigten Start des Elektrowerkzeuges.
- d) **Bewahren Sie unbenutzte Elektrowerkzeuge außerhalb der Reichweite von Kindern auf.** Lassen Sie Personen das Gerät nicht benutzen, die mit diesem nicht vertraut sind oder diese Anweisungen nicht gelesen haben. Elektrowerkzeuge sind gefährlich, wenn Sie von unerfahrenen Personen benutzt werden.
- e) **Pflegen Sie Elektrowerkzeuge mit Sorgfalt.** Kontrollieren Sie, ob bewegliche Teile einwandfrei funktionieren und nicht klemmen, ob Teile gebrochen oder so beschädigt sind, dass die Funktion des Elektrowerkzeuges beeinträchtigt ist. Lassen Sie beschädigte Teile vor dem Einsatz des Gerätes reparieren. Viele Unfälle haben ihre Ursache in schlecht gewarteten Elektrowerkzeugen.
- f) **Halten Sie Schneidwerkzeuge scharf und sauber.** Sorgfältig gepflegte Schneidwerkzeuge mit scharfen Schneidkanten verklemmen sich weniger und sind leichter zu führen.
- g) **Verwenden Sie Elektrowerkzeug, Zubehör, Einsatzwerkzeuge usw. entsprechend diesen Anweisungen.** Berücksichtigen Sie dabei die Arbeitsbedingungen und die auszuführende Tätigkeit. Der Gebrauch von Elektrowerkzeugen für andere als die vorgesehenen Anwendungen kann zu gefährlichen Situationen führen.

5. SERVICE

- a) **Lassen Sie Ihr Elektrowerkzeug nur von qualifiziertem Fachpersonal und nur mit Original-Ersatzteilen reparieren.** Damit wird sichergestellt, dass die Sicherheit des Elektrowerkzeuges erhalten bleibt.

Sicherheitshinweise für Betonschleifer

Gemeinsame Sicherheitshinweise zum Schleifen:

- a) **Dieses Elektrowerkzeug ist zu verwenden als Schleifer, Sandpapierschleifer, Drahtbürste und Trennschleifmaschine.** Beachten Sie alle Sicherheitshinweise, Anweisungen, Darstellungen und Daten, die Sie mit dem Gerät erhalten. Wenn Sie die folgenden Anweisungen nicht beachten, kann es zu elektrischem Schlag, Feuer und/oder schweren Verletzungen kommen.
- b) **Dieses Elektrowerkzeug ist nicht geeignet zum Sandpapierschleifen, Arbeiten mit Drahtbürsten, Polieren und Trennschleifen.** Verwendungen, für die das Elektrowerkzeug nicht vorgesehen

ist, können Gefährdungen und Verletzungen verursachen.

- c) **Verwenden Sie kein Zubehör, das vom Hersteller nicht speziell für dieses Elektrowerkzeug vorgesehen und empfohlen wurde.** Nur weil Sie das Zubehör an Ihrem Elektrowerkzeug befestigen können, garantiert das keine sichere Verwendung.
- d) **Die zulässige Drehzahl des Einsatzwerkzeuges muss mindestens so hoch sein wie die auf dem Elektrowerkzeug angegebene Höchstdrehzahl.** Zubehör, das sich schneller als zulässig dreht, kann zerbrechen und umherfliegen.
- e) **Außendurchmesser und Dicke des Einsatzwerkzeuges müssen den Maßangaben Ihres Elektrowerkzeuges entsprechen.** Falsch bemessene Einsatzwerkzeuge können nicht ausreichend abgeschirmt oder kontrolliert werden.
- f) **Einsatzwerkzeuge mit Gewindeeinsatz müssen genau auf das Gewinde der Schleifspindel passen.** Bei Einsatzwerkzeugen, die mittels Flansch montiert werden, muss der Lochdurchmesser des Einsatzwerkzeuges zum Aufnahmedurchmesser des Flansches passen. Einsatzwerkzeuge, die nicht genau am Elektrowerkzeug befestigt werden, drehen sich ungleichmäßig, vibrieren sehr stark und können zum Verlust der Kontrolle führen.
- g) **Verwenden Sie keine beschädigten Einsatzwerkzeuge.** Kontrollieren Sie vor jeder Verwendung Einsatzwerkzeuge wie Schleifscheiben auf Abspalterungen und Risse, Schleifteller auf Risse, Verschleiß oder starke Abnutzung, Drahtbürsten auf lose oder gebrochene Drähte. Wenn das Elektrowerkzeug oder das Einsatzwerkzeug herunterfällt, überprüfen Sie, ob es beschädigt ist, oder verwenden Sie ein unbeschädigtes Einsatzwerkzeug. Wenn Sie das Einsatzwerkzeug kontrolliert und eingesetzt haben, halten Sie und in der Nähe befindliche Personen sich außerhalb der Ebene des rotierenden Einsatzwerkzeuges auf und lassen Sie das Gerät eine Minute lang mit Höchstdrehzahl laufen. Beschädigte Einsatzwerkzeuge brechen meist in dieser Testzeit.
- h) **Tragen Sie persönliche Schutzausrüstung.** Verwenden Sie je nach Anwendung Vollgesichtsschutz, Augenschutz oder Schutzbrille. Soweit angemessen, tragen Sie Staubmaske, Gehörschutz, Schutzhandschuhe oder Spezialschürze, die kleine Schleif- und Materialpartikel von Ihnen fernhält. Die Augen sollen vor herumfliegenden Fremdkörpern geschützt werden, die bei verschiedenen Anwendungen entstehen. Staub- oder Atemschutzmaske müssen den bei der Anwendung entstehenden Staub filtern. Wenn Sie lange lautem Lärm ausgesetzt sind, können Sie einen Hörverlust erleiden.
- i) **Achten Sie bei anderen Personen auf sicheren Abstand zu Ihrem Arbeitsbereich.** Jeder, der den Arbeitsbereich betritt, muss persönliche Schutzausrüstung tragen. Bruchstücke des Werkstücks oder gebrochener Einsatzwerkzeuge können wegfiegen und Verletzungen auch außerhalb des direkten Arbeitsbereichs

verursachen.

- j) Halten Sie das Gerät nur an den isolierten Griffflächen, wenn Sie Arbeiten ausführen, bei denen das Einsatzwerkzeug verborgene Stromleitungen treffen kann. Der Kontakt mit einer spannungsführenden Leitung kann auch metallene Geräte Teile unter Spannung setzen und zu einem elektrischen Schlag führen.
- k) Halten Sie das Netzkabel von sich drehenden Einsatzwerkzeugen fern. Wenn Sie die Kontrolle über das Gerät verlieren, kann das Netzkabel durchtrennt oder erfasst werden und Ihre Hand oder Ihr Arm in das sich drehende Einsatzwerkzeug geraten.
- l) Legen Sie das Elektrowerkzeug niemals ab, bevor das Einsatzwerkzeug völlig zum Stillstand gekommen ist. Das sich drehende Einsatzwerkzeug kann in Kontakt mit der Ablagefläche geraten, wodurch Sie die Kontrolle über das Elektrowerkzeug verlieren können.
- m) Lassen Sie das Elektrowerkzeug nicht laufen, während Sie es tragen. Ihre Kleidung kann durch zufälligen Kontakt mit dem sich drehenden Einsatzwerkzeug erfasst werden und das Einsatzwerkzeug sich in Ihren Körper bohren.
- n) Reinen Sie regelmäßig die Lüftungsschlitze Ihres Elektrowerkzeugs. Das Motorgebläse zieht Staub in das Gehäuse, und eine starke Ansammlung von Metallstaub kann elektrische Gefahren verursachen.
- o) Verwenden Sie das Elektrowerkzeug nicht in der Nähe brennbarer Materialien. Funken können diese Materialien entzünden.
- p) Verwenden Sie keine Einsatzwerkzeuge, die flüssige Kühlmittel erfordern. Die Verwendung von Wasser oder anderen flüssigen Kühlmitteln kann zu einem elektrischen Schlag führen.

Weitere Sicherheitshinweise für alle Anwendungen

Rückschlag und entsprechende Sicherheitshinweise

Rückschlag ist die plötzliche Reaktion infolge eines haken- oder blockierten drehenden Einsatzwerkzeugs, wie Schleifscheibe, Schleifteller, Drahtbürste usw. Verhaken oder Blockieren führt zu einem abrupten Stopp des rotierenden Einsatzwerkzeugs. Dadurch wird ein unkontrolliertes Elektrowerkzeug gegen die Drehrichtung des Einsatzwerkzeugs an der Blockierstelle beschleunigt.

Wenn z. B. eine Schleifscheibe im Werkstück hakt oder blockiert, kann sich die Kante der Schleifscheibe, die in das Werkstück eintaucht, verfangen und dadurch die Schleifscheibe ausbrechen oder einen Rückschlag verursachen. Die Schleifscheibe bewegt sich dann auf die Bedienperson zu oder von ihr weg, je nach Drehrichtung der Scheibe an der Blockierstelle. Hierbei können Schleifscheiben auch brechen.

Ein Rückschlag ist die Folge eines falschen oder fehlerhaften Gebrauchs des Elektrowerkzeugs. Er kann durch geeignete Vorsichtsmaßnahmen, wie nachfolgend beschrieben, verhindert werden.

- a) Halten Sie das Elektrowerkzeug gut fest und bringen Sie Ihren Körper und Ihre Arme in eine Position, in der Sie die Rückschlagkräfte

abfangen können. Verwenden Sie immer den Zusatzgriff, falls vorhanden, um die größtmögliche Kontrolle über Rückschlagkräfte oder Reaktionsmomente beim Hochlauf zu haben. Die Bedienperson kann durch geeignete Vorsichtsmaßnahmen die Rückschlag- und Reaktionskräfte beherrschen.

- b) Bringen Sie Ihre Hand nie in die Nähe sich drehender Einsatzwerkzeuge. Das Einsatzwerkzeug kann sich beim Rückschlag über Ihre Hand bewegen.
- c) Meiden Sie mit Ihrem Körper den Bereich, in den das Elektrowerkzeug bei einem Rückschlag bewegt wird. Der Rückschlag treibt das Elektrowerkzeug in die Richtung entgegengesetzt zur Bewegung der Schleifscheibe an der Blockierstelle.
- d) Arbeiten Sie besonders vorsichtig im Bereich von Ecken, scharfen Kanten usw. Verhindern Sie, dass Einsatzwerkzeuge vom Werkstück zurückprallen und verklemmen. Das rotierende Einsatzwerkzeug neigt bei Ecken, scharfen Kanten oder wenn es abprallt dazu, sich zu verklemmen. Dies verursacht einen Kontrollverlust oder Rückschlag.
- e) Verwenden Sie kein Ketten- oder gezähntes Sägeblatt. Solche Einsatzwerkzeuge verursachen häufig einen Rückschlag oder den Verlust der Kontrolle über das Elektrowerkzeug.
 - Das zu bearbeitende Werkstück festspannen oder entsprechend sichern.

Besondere Sicherheitshinweise zum Schleifen:

- a) Verwenden Sie ausschließlich die für Ihr Elektrowerkzeug zugelassenen Schleifkörper und die für diese Schleifkörper vorgesehene Schutzhaube. Schleifkörper, die nicht für das Elektrowerkzeug vorgesehen sind, können nicht ausreichend abgeschirmt werden und sind unsicher.
- b) Gekröpfte Schleifscheiben müssen so montiert werden, dass ihre Schleiffläche nicht über der Ebene des Schutzhaubenrandes hervorsteht. Eine unsachgemäß montierte Schleifscheibe, die über die Ebene des Schutzhaubenrandes hinausragt, kann nicht ausreichend abgeschirmt werden.
- c) Die Schutzhaube muss sicher am Elektrowerkzeug angebracht und so eingestellt sein, dass ein Höchstmaß an Sicherheit erreicht wird, d. h. der kleinstmögliche Teil des Schleifkörpers zeigt offen zur Bedienperson. Die Schutzhaube soll die Bedienperson vor Bruchstücken, vor zufälligem Kontakt mit dem Schleifkörper und vor Funken, die seine Bekleidung anzünden könnten, schützen.
- d) Schleifkörper dürfen nur für die empfohlenen Einsatzmöglichkeiten verwendet werden. Zum Beispiel: Schleifen Sie nie mit der Seitenfläche einer Trennscheibe. Trennscheiben sind zum Materialabtrag mit der Kante der Scheibe bestimmt. Seitliche Kräfteinwirkung auf diese Schleifkörper kann sie zerbrechen.
- e) Verwenden Sie immer unbeschädigte Spannfleische in der richtigen Größe und Form für

die von Ihnen gewählte Schleifscheibe. Geeignete Flansche stützen die Schleifscheibe und verringern so die Gefahr eines Schleifscheibenbruchs. Flansche für Trennscheiben können sich von den Flanschen für andere Schleifscheiben unterscheiden.

Besondere Sicherheitshinweise



WARNUNG: Bevor Sie das Elektrowerkzeug ans Netz anschließen, sollten Sie sicherstellen, dass die Netzspannung der Spannung, angegeben auf dem Typenschild, des Elektrowerkzeuges entspricht.

- Eine Stromquelle mit Spannung, höher als die auf dem Typenschild angegebene Spannung, kann ernste Verletzung durch Stromschlag sowie auch Schädigung des Elektrowerkzeuges verursachen.
- Falls Sie nicht sicher sind, den Stecker des Elektrogerätes nicht in die Steckdose stecken.
- Die Verwendung einer Stromquelle mit Spannung, niedriger als die Spannung, angegeben auf dem Typenschild des Elektrowerkzeuges, wird den Motor beschädigen.



Immer Schutzbrille und Gehörschutz tragen, Staubmaske verwenden. Der während der Arbeit entstandene Staub und abrasive Teilchen können Ihre Gesundheit schädigen.

- Bei Arbeit in einer staubigen Umgebung müssen die Ventilationsöffnungen der Maschine rein gehalten werden. Wenn diese vom Staub zu reinigen sind, schalten Sie zuerst die Stromversorgung (Batterie abnehmen) ab und nutzen Sie keine Metallgegenstände für die Staubreinigung, wobei Sie darauf achten sollten die Innenbauteile der Maschine nicht zu beschädigen. Das Elektrowerkzeug wird überhitzt wenn die Kühlung durch verstaubte Ventilationsöffnungen reduziert wird.
- Halten Sie das Gerät nur an den isolierten Griffflächen, wenn Sie Arbeiten ausführen, bei denen das Einsatzwerkzeug verborgene Stromleitungen oder das eigene Netzkabel treffen kann. Der Kontakt mit einer spannungsführenden Leitung kann auch metallene Geräteteile unter Spannung setzen und zu einem elektrischen Schlag führen.
- Vor Durchführung von jeglichen Einstellungen, Reparaturen oder Wartung das Elektrowerkzeug ausschalten und den Stecker aus der Steckdose ziehen.
- Nach längerem Betrieb können sich die Außenmetallteile und Zubehör erwärmen.
- Die Maschine immer ausschalten, bevor Sie sie zur Seite stellen.
- Die Maschine nicht überlasten. Mit mäßigem Druck arbeiten. Die Überlastung ist das Ergebnis der Anwendung eines zu hohen Druckes, wobei der Motor seine Drehung verlangsamt; das ist eine Voraussetzung für uneffektive Arbeit und eventuelle Störung des Motors der Maschine.
- Nie Lappen, Schnüre oder ähnliches in der Arbeitszone lassen

- Vor der Arbeit alle Nägel, Schrauben u.a. von der zu bearbeitenden Fläche entfernen.
- Immer stabile Körperhaltung halten. Wenn Sie mit dem Elektrowerkzeug auf einer Leiter arbeiten, immer sicherstellen, dass sich niemand darunter befindet.
- Bevor Sie das Elektrowerkzeug auf der zu bearbeitenden Fläche verwenden, lassen Sie es nach dem Einschalten eine gewisse Zeit laufen. Während des Betriebes sollte sich das Elektrowerkzeug in einer Entfernung von mindestens 200 mm vom Körper und Gesicht befinden.
- Das Elektrowerkzeug fest in beiden Händen halten.
- Die Hände vor den sich drehenden Teilen schützen. Berühren Sie nicht das Arbeitswerkzeug oder das zu bearbeitende Werkstück sofort nach der Arbeit – sie könnten heiß sein und Ihnen eine Hautverbrennung zufügen.
- Das Elektrowerkzeug nur bestimmungsgemäß verwenden. Jeder andere Gebrauch, anders als der in dieser Instruktion beschrieben gilt als nicht bestimmungsgemäß. Die Haftung für Schäden oder Verletzungen in diesem Fall trägt der Betreiber und nicht der Hersteller.
- Um dieses Elektrowerkzeug richtig zu verwenden, sollten Sie die Sicherheitshinweise, die Montageanweisungen und die Bedienungsanleitungen, beschrieben in diesem Dokument, einhalten. Alle Personen, die diese Maschine verwenden oder bedienen, sollten diese Instruktionen gut kennen und über die möglichen Gefahren, verbunden mit diesem Elektrowerkzeug informiert werden. Kindern und den körperlich schwachen Personen ist die Arbeit mit diesem Elektrowerkzeug untersagt. Wenn sich Kinder in der Arbeitszone befinden, sollten sie unter ständiger Kontrolle sein. Unbedingt sind auch die Sicherheitshinweise, die in Ihrem Land gültig sind, zu beachten. Dasselbe gilt für die Grundregeln für den professionelle Arbeitsschutz und die Sicherheitstechnik.
- Der Hersteller haftet nicht für vom Verbraucher vorgenommene Änderungen am Elektrowerkzeug oder für Defekte, verursacht durch solche Änderungen.

Sogar wenn das Elektrowerkzeug bestimmungsgemäß verwendet wird, ist es nicht möglich, alle anderen Risikofaktoren zu eliminieren. Es können folgende Gefahren, verbunden mit der Konstruktion und dem Design des Elektrowerkzeuges entstehen:

- Gehörstörungen, falls kein Gehörschutz getragen wird. Schäden oder Verletzungen an den Augen wenn keine Schutzbrille getragen wird.
- Vor der Durchführung von jeglichen Einstellungen, einschl. auch Austauschs der Zubehörteile, immer den Stecker aus dem Netz ziehen.
- Das Elektrowerkzeug soll nicht im Freien beim Regenwetter, in feuchter Umgebung (nach Regen) oder in der Nähe von leicht brennbaren Flüssigkeiten und Gasen verwendet werden. Der Arbeitsplatz soll gut beleuchtet sein.

Bestandteile des Elektrowerkzeugs

Bevor Sie beginnen, mit dem Betonschleifer zu arbeiten, sollen Sie sich mit allen operativen Besonderheiten und Sicherheitsbedingungen bekannt machen.

Das Elektrowerkzeug und seine Zubehörteile nur bestimmungsgemäß verwenden. Jede andere Anwendung ist untersagt.

1. Spindel
2. Scheibenschutz
3. Stützscheibe
4. Schleifscheibe mit Diamantsegmenten
5. Stützscheibe mit gerader Frontfläche
6. Befestigungsmutter
7. Ein- / Ausschalter
8. Drucktaster zur Verriegelung der Spindel
9. Dichtungsbürste
10. Befestigungsklammer
11. Zusatzhandgriff
12. Spezieller Schlüssel
13. Schraube

Betriebsanweisungen

Diese Elektrowerkzeuge werden mit einphasiger Wechselspannung gespeist. Sie besitzen doppelte Isolierung entsprechend EN 60745-1 und IEC 60745 und können an Steckdosen ohne Schutzklemmen angeschlossen werden. Die Funkstörungen entsprechen der EMV-Richtlinie zur Elektromagnetischen Verträglichkeit. Dieses Elektrowerkzeug ist für Grob- und Feinschleifen vom Beton und Natursteinen zwecks Säuberung vor dem Auslegen von Füllmassen und Schutzschichten bestimmt. Die Maschine ist nur für Trockenschleifen bestimmt.

BEVOR SIE MIT DER ARBEIT BEGINNEN

- Überprüfen, ob die Spannung des Stromnetzes der Spannung, angegeben auf dem Typenschild mit den technischen Daten des Elektrowerkzeuges entspricht.
- Überprüfen, in welcher Stellung sich der Ein-/Ausschalter befindet. Das Elektrogerät darf nur bei ausgeschaltetem Schalter ans Netz angeschlossen und vom Netz getrennt werden.
- Überzeugen Sie sich von dem ordnungsgemäßen Zustand des Steckers und des Netzkabels. Falls das Netzkabel beschädigt ist, soll sein Austausch durch den Hersteller oder durch den zuständigen Kundendienst vorgenommen werden, um die Austauschrisiken zu vermeiden.



WARNUNG: Vor Durchführung von jeglichen Einstellungen, Bedienung oder Wartung das Elektrowerkzeug ausschalten und den Stecker aus der Steckdose ziehen.

- Achten Sie bei der Verwendung von Diamant-Trennscheiben darauf, dass der Drehrichtungspfeil auf der Diamant-Trennscheibe und die Drehrichtung des Elektrowerkzeuges (siehe Drehrichtungspfeil auf dem Getriebekopf) übereinstimmen.

- Immer den zusätzlichen Handgriff verwenden und die Maschine mit beiden Händen für maximale Kontrolle des Rückschlages oder der Drehreaktion beim Anlassen (Fig. 1) halten.

EIN - AUSSCHALTEN

Vor Anschließen der Maschine ans Netz immer überprüfen, ob der Ein- /Ausschalter richtig funktioniert und beim loslassen in Stellung „Aus“ zurückspringt.

1. Um das Elektrowerkzeug einzuschalten, den Schieber (7) nach vorne verschieben, bis sein Vorderteil einsinkt und sich verriegelt. (Fig. 2)
2. Um das Elektrowerkzeug auszuschalten, das hintere, erhobene Ende des Schiebers (7) drücken und es loslassen, bis es selbstständig in die Ausgangsposition zurück springt. (Fig. 3)

ELEKTRONIK

Das Elektrowerkzeug ist mit einer eingebauten Elektronik ausgerüstet, die folgende Funktionen hat:

- Schutz gegen Spannungsausfall. Beim Ausfall der Spannung des Stromnetzes für eine Dauer von unter 0.5 s, hört das Elektrowerkzeug auf zu arbeiten, selbst bei in Arbeitsstellung verriegeltem Ein-/Ausschalter. Um die normale Funktion des Elektrowerkzeuges herzustellen ist es erforderlich, den Ein-/Ausschalter auszuschalten und dann erneut einzuschalten.
- Stufenloses Anlaufen und Begrenzung des Startstromes. Solches Sanftanlaufen garantiert einen Start der Maschine ohne einen Ruck und verhindert das Entstehen von Spannungsschwankungen im Netz;
- Das Halten von gleichmäßigen Drehzahlen in breiten Belastungsgrenzen;
- Schutz vor kurzzeitiger Überlastung. Bei großen kurzzeitigen Überlastungen wird eine Stromkupplung betätigt, die die Drehzahl des Elektrowerkzeuges reduziert. Um den normalen Betrieb herzustellen, das Elektrowerkzeug vom Werkstoff entfernen.
- Temperaturschutz. Bei kleinen, aber andauernden Überlastungen spricht der Temperaturschutz an. Vor Erreichen der kritischen Temperatur schaltet die Elektronik die Maschine aus und sie geht in Schutzbetrieb über, der sich mit reduzierter Motordrehzahl charakterisiert. Die Maschine wird betriebsunfähig. Im Schutzbetrieb dreht sich der Motor mit reduzierter Drehzahl, um die Kühlung zu beschleunigen, die Maschine ist aber BETRIEBSUNFÄHIG. Die Maschine kühlt für 3-5 Minuten aus und dann ist sie wieder betriebsbereit. Um wieder in Betriebsmodus zu kommen, den Ein- /Ausschalter aus- und dann wieder einschalten.

SCHEIBENSCHUTZ

Der Scheibenschutz (2) soll stets an der Maschine montiert werden.

MONTIEREN, AUSTAUSCH UND EINSTELLUNG DER POSITION DER ARBEITSSCHEIBE

Stellen Sie sicher, dass der Durchmesser und die Dicke der Scheibe nicht größer als die in den technischen Angaben angegebenen sind. Die auf der Scheibe angegebene zulässige maximale Drehzahl soll nicht kleiner als die Leerlaufdrehzahl der Maschine sein.

Die Spindel (1) des Betonschleifers wird durch Drücken des Druckschalters (8), der sich auf dem Getriebegehäuse befindet, verriegelt.



WARNUNG: Drücken des Druckschalters (8) solange sich die Spindel dreht, ist untersagt.

Beim gedrückten Druckschalter dreht sich die Spindel bis zum eindeutigen Einsinken des Druckschalters. Die Mutter (6) wird mit einem speziellen Schlüssel (12) gelöst.

Wegen der Abnutzung der Scheibe und zum Erreichen des optimalen Betriebes der Staubabführung ist auch eine Möglichkeit für Regelung der Position der Scheibe gegeben.

Bei der Befestigung einer neuen Scheibe sollten Sie die Elemente auf der Spindel in folgender Reihenfolge anordnen: Stützscheibe (3), Scheibe (4) Befestigungsmutter (6) mit dem freien Teil zur Scheibe, wie auf Fig. 4 gezeigt.



WARNUNG: Das Einlegen der Mutter (6) mit dem hervorstehenden Teil zur Scheibe macht die Befestigung der Arbeitsscheibe unmöglich.

Bei zur Hälfte oder ganz abgenutzter Scheibe die Elemente auf der Spindel der Maschine in folgender Reihenfolge anordnen: Stützscheibe mit gerader Frontfläche (5), Scheibe (4), Befestigungsmutter (6) mit dem hervorstehenden Teil zur Scheibe, wie auf Fig. 5 gezeigt



WARNUNG: Beim Einlegen der Mutter (6) mit dem freien Teil zur Scheibe, diese richtig zentrieren da es sonst starke Vibrationen geben kann, was eine Unfallvoraussetzung ist.



WARNUNG: Nach Auswechseln der Scheibe die Maschine mit der neuen Scheibe mindestens 30 Sek. im Leerlauf halten. Vibrierende oder sich unregelmäßig drehende Scheiben sofort auswechseln.

Bei Änderung der Scheibenposition falls erforderlich, die Position einstellen oder die Dichtungsbürste auswechseln.

REGELUNG DER POSITION (AUSWECHSELN) DER DICHTUNGSBÜRSTE

Die Bürste (9) dient zum Reduzieren des Staubauswurfes in die Umgebung. Sie verschleißt zusammen mit der Scheibe. Beim Einlegen einer neuen Scheibe, falls erforderlich, auch die Dichtungsbürste auswechseln. Die Halterschraube (10) lösen und die alte Bürste entfernen. Neue Bürste einlegen, wobei die Kante des Schutzes (2) an der Stützfläche der Bürste anliegen soll. Der Halter (10) wieder einlegen und festziehen.

ZUSATZHANDGRIFF

Der Zusatzhandgriff (11) ist am Getriebekasten der Ma-

schine mittels zwei Schrauben befestigt. Immer den Zusatzhandgriff verwenden und die Maschine stets mit beiden Händen festhalten. (Fig. 1)

ARBEITEN MIT STAUBABFÜHRUNG

Das Elektrogerät soll nur mit Staubabführung betrieben werden. Zusätzlich Staubschutzmaske tragen. Der Staubsauger soll für Steinstaubabsaugen geeignet sein. Der Staubsauger wird zum Staubabführrohr des Schutzes angeschlossen. Wir empfehlen die Anwendung eines Staubsaugers für Industriezwecke mit minimalen technischen Angaben: Fördermenge 60 l/s und erzeugter Unterdruck (Vakuum) 180 mbar.

ZUBEHÖR, DAS MIT DIESEM ELEKTROWERKZEUG BENUTZT WERDEN KANN

Schleifscheibe mit abrasiven Segmenten Ø125 x Ø22.23 x 22

WARNUNG: Für den Gebrauch Ihres Elektrowerkzeuges werden die oben angegebenen Zubehöre oder Vorrichtungen empfohlen Die Anwendung von Zubehören oder Vorrichtungen, anders als die angegebenen sind Voraussetzung für Betriebsunfälle. Die Zubehöre und die Vorrichtungen nur bestimmungsgemäß verwenden. Falls Sie zusätzliche Information bezüglich dieser Vorrichtungen brauchen, sollen Sie sich an den örtlichen SPARKY – Kundendienst wenden.

Wartung



WARNUNG: Vor jeder Wartung oder Überprüfung das Elektrowerkzeug immer ausschalten und den Stecker aus der Steckdose ziehen.

AUSWECHSELN DER KOHLEBÜRSTEN

Das Elektrowerkzeug ist mit Selbstausschaltenden Kohlebürsten ausgerüstet. Wenn die Kohlebürsten abgenutzt sind, sollten beide Kohlebürsten gleichzeitig durch Originalbürsten im SPARKY – Kundendienst für Garantie- und Außergarantiewartung ausgewechselt werden.

ALLGEMEINE ÜBERPRÜFUNG

Überprüfen Sie regelmäßig alle Befestigungselemente um sich zu überzeugen, dass sie fest angezogen sind. Falls einige der Schrauben lose sind, diese sofort festziehen, um Risikosituationen zu vermeiden.

Falls sich die Schrauben (13) lockern, sollen sie festgezogen werden. Vor dem Festziehen auf dem Gewinde jeder Schraube (13) Gewindekleber auftragen.

Regelmäßig alle beweglichen Teile fetten.

Im Falle eines beschädigten Netzkabels soll der Austausch durch den Hersteller oder seinen Servicefachmann vorgenommen werden, um die Risiken die bei einem Austausch entstehen können zu vermeiden.

REINIGUNG

Für den sicheren Betrieb die Maschine und die Belüftungsöffnungen immer sauber halten.

Regelmäßig überprüfen, ob in die Belüftungsöffnungen des Motors oder um die Umschalter Staub oder Fremdkörper eingedrungen sind.

Weichte Bürste und/oder Druckluft für die Entfernung des Staubes verwenden. Um die Augen während der Reinigung zu schützen, Schutzbrille tragen.

Das Gehäuse der Maschine gegebenenfalls mit einem weichen feuchten Tuch abwischen. Hierfür kann zusätzlich eine schwache Reinigungslösung (Spülmittel) verwendet werden.



WARNUNG: Die Verwendung von Benzin oder anderen Lösungsmitteln ist unzulässig. Nie ätzende Präparate für die Reinigung der Kunststoffteile verwenden.



WARNUNG: Vermeiden Sie unbedingt das Wasser in die Maschine (z.B. durch die Lüftungsschlitze) eindringt.

WICHTIG! Um einen sicheren Betrieb des Elektrowerkzeuges und seine Zuverlässigkeit zu gewährleisten, sollten alle Arbeiten zur Reparatur, Wartung und Regelung (einschl. auch die Überprüfung und das Auswechseln der Bürsten) nur in den zuständigen Kundendiensten von SPARKY beim Verwenden von Originalersatzteilen durchgeführt werden.

Garantie

Die Garantiefrist der SPARKY-Elektrowerkzeuge wird im Garantieschein bestimmt.

Schäden, die auf natürliche Abnutzung, Überlastung oder unsachgemäße Handhabung zurückzuführen sind, bleiben von der Garantie ausgeschlossen.

Schäden, die durch Material- und/oder Herstellerfehler entstanden sind, werden unentgeltlich durch Ersatzlieferung oder Reparatur beseitigt.

Beanstandungen bezüglich eines beschädigten SPARKY-Elektrowerkzeugs können nur anerkannt werden, wenn das Gerät unzerlegt (im ursprünglichen Zustand) dem Lieferanten oder der befugten Kundendienstwerkstatt vorgelegt wird.

Hinweise

Lesen Sie aufmerksam die ganze Originalbetriebsanleitung, bevor Sie mit der Benutzung dieses Produktes beginnen.

Der Hersteller behält sich das Recht vor, Verbesserungen und Änderungen an seinen Erzeugnissen und in den Spezifikationen ohne Voranmeldung vorzunehmen.

Die Spezifikationen können für die verschiedenen Länder unterschiedlich sein.

Sommaire

Introduction	20
Données techniques ^a	22
Avertissements de sécurité généraux pour l'outil	23
Avertissements de sécurité lors du travail avec des ponceuses à béton	24
Nomenclature	26
Utilisation	27
Entretien	28
Garantie	29

DEBALLAGE

Grâce aux techniques modernes de fabrication, il est improbable que votre outil soit défectueux ou qu'une pièce soit manquante. Si toutefois vous trouvez une anomalie, n'utilisez pas l'outil avant que les pièces aient été remplacées ou le défaut corrigé. Ne pas observer cette règle pourrait causer des blessures graves.

MONTAGE

La ponceuse à béton est fournie dans une valise en métal, entièrement assemblée, prête à fonctionner.

La ponceuse à béton est fournie dans une valise en matière plastique, assemblée, la poignée supplémentaire est mise en place sans être serrée. Placez la poignée supplémentaire dans la position qui vous convient et serrez-la à l'aide de la clé à écrou figurant dans l'ensemble fourni.

Introduction

Votre nouvel outil a été conçu et produit selon tous les standards de qualité pour répondre aux exigences les plus élevées. Son exploitation est facile et sécurisée. Et avec une utilisation correcte il vous servira longtemps.



AVERTISSEMENT!

Lire attentivement les instructions avant d'utiliser votre nouvel outil. Prêter attention aux sections «**Avertissement**». Votre outil électrique possède des caractéristiques qui facilitent votre travail. Cet instrument a été conçu et produit selon toutes les exigences de sécurité pour que son usage et son entretien soient faciles.



Ne pas jeter les outils électroportatifs avec les ordures ménagères!

Les déchets provenant d'outils électroportatif ne doivent pas être ramassés avec les ordures ménagères. Prière de recycler sur les lieux qui y sont spécialement destinés. Contacter les autorités locales ou un représentant pour des consultations concernant le recyclage.



RESPECT DE L'ENVIRONNEMENT

Récupération des matières premières plutôt qu'élimination des déchets.

En vue à la protection de l'environnement, les appareils, comme d'ailleurs leurs accessoires et emballages, doivent pouvoir suivre chacun une voie de recyclage appropriée. Nos pièces en matières artificielles ont été marquées en vue d'un recyclage sélectif des différents matériaux.

LÉGENDE

L'outil électrique porte une plaque décrivant les signes spéciaux. Ils apportent une information importante quant au produit ou des instructions d'utilisation.



Double isolation pour une meilleure sécurité



Filetage de la broche porte-outil: M14



Conforme aux directives européennes applicables



En conformité avec les exigences des standards ukrainiens



Conforme aux exigences des règlements de l'Union douanière



Lisez les instructions d'utilisation

YYYY-Www


Période de production, où les symboles variables sont les suivants:

YYYY - année de production, ww – le numéro de la semaine du calendrier

FB

PONCEUSE À BÉTON

Données techniques

Modèle:	FB 514
• Puissance absorbée	1400 W
• Vitesse assignée	10500 min ⁻¹
• Filetage de fixation de l'arbre	M14
• Longueur du filetage de l'arbre	20 mm
• Diamètre de fixation du disque de coupe	Ø22,23 mm
• Diamètre maximal du disque de coupe	Ø125 mm
• Épaisseur maximale d'un nouveau disque de coupe	22 mm
• Diamètre de l'orifice de raccordement du dispositif d'élimination de la poussière	Ø35 mm
• Dimensions:	
Longueur	325 mm
Largeur	190 mm
Hauteur	200 mm
• Poids (procédure EPTA 01/2014)	3,1 kg
• Classe de protection (EN 60745-1) 	II

INFORMATIONS SUR LES BRUITS ET LES VIBRATIONS

Valeurs de mesure obtenues conformément à la EN 60745.

Informations sur le bruit

Le mesure réelle (A) de niveau de pression acoustique L_{pA}	90 dB (A)
Incertitude K_{pA}	3 dB (A)
Le mesure réelle (A) de niveau d'intensité acoustique L_{wA}	101 dB (A)
Incertitude K_{wA}	3 dB (A)

Porter une protection acoustique!

Informations sur les vibrations *

Valeurs totales des vibrations (somme vectorielle de trois sens) établies conformément à EN 60745:

Fraisage de béton

Valeur d'émission vibratoire a_h	5,8 m/s ²
Incertitude K	1,5 m/s ²

* Les valeurs des vibrations sont déterminées conformément à la 6.2.7 EN 60745.

L'amplitude d' l'accélération indiquée dans ces instructions d'utilisation a été mesurée suivant les méthodes de mesurage conformément à la norme EN 60745 et peut être utilisée pour une comparaison d'appareils. Le niveau de vibration peut être utilisé pour faire une estimation provisoire du degré d'influence vibratoire.

Le niveau de vibration annoncé concerne la fonction principale de l'outil. Dans des cas où l'outil est destinée à une autre utilisation ou avec d'autres accessoires, ou s'il est mal entretenu, le niveau de vibration peut s'écarter de celui qui a été indiqué. Si c'est le cas, le degré d'influence peut fortement augmenter au cours de l'utilisation.

Pour une estimation précise de l'influence vibratoire pendant un certain temps d'utilisation, il est recommandé de prendre aussi en considération les espaces de temps pendant lesquels l'appareil est éteint ou sous tension, mais pas vraiment utilisé. Ceci peut réduire considérablement l'influence vibratoire pendant toute la durée du travail.

Entretenez l'outil et ses accessoires en bon état. Gardez vos mains chaudes au cours de son utilisation – cela va diminuer les conséquences négatives lorsque vous travaillez à des hauts degrés de vibrations.

Les poussières de matériaux tels que peintures contenant du plomb, certains bois, minéraux ou métaux, peuvent être nuisibles à la santé. Toucher ou aspirer les poussières peut entraîner des réactions allergiques et/ou des maladies respiratoires auprès de l'utilisateur ou de personnes se trouvant à proximité.

Certaines poussières telles que les poussières de chêne ou de hêtre sont considérées cancérigènes, surtout en connexion avec des additifs pour le traitement de bois (chromate, lazure). Les matériaux contenant de l'amiante ne doivent être travaillés que par des personnes qualifiées.

- Si possible, utilisez une aspiration des poussières.
- Afin d'atteindre un haut degré d'aspiration de la poussière, lors du travail avec cet outil électroportatif utilisez un aspirateur spécialement adapté pour l'aspiration de poussière de bois ou pour l'aspiration de poussière de bois et/ou poussière de minéraux.
- Veillez à bien aérer la zone de travail.
- Il est recommandé de porter un masque respiratoire de la classe de filtre P2.

Respectez les règlements en vigueur dans votre pays spécifiques aux matériaux à traiter.

Avertissements de sécurité généraux pour l'outil



AVERTISSEMENT! Lire tous les avertissements de sécurité et toutes les instructions. Ne pas suivre les avertissements et instructions peut donner lieu à un choc électrique, un incendie et/ou une blessure sérieuse.

Conserver tous les avertissements et toutes les instructions pour pouvoir s'y reporter ultérieurement.

Le terme «outil» dans les avertissements fait référence à votre outil électrique alimenté par le secteur (avec cordon d'alimentation) ou votre outil fonctionnant sur batterie (sans cordon d'alimentation).

1. SÉCURITÉ DE LA ZONE DE TRAVAIL

- Conservier la zone de travail propre et bien éclairée. Les zones en désordre ou sombres sont propices aux accidents.
- Ne pas faire fonctionner les outils électriques en atmosphère explosive, par exemple en présence de liquides inflammables, de gaz ou de poussières. Les outils électriques produisent des étincelles qui peuvent enflammer les poussières ou les fumées.
- Maintenir les enfants et les personnes présentes à l'écart pendant l'utilisation de l'outil. Les distractions peuvent vous faire perdre le contrôle de l'outil.

2. SÉCURITÉ ÉLECTRIQUE

- Il faut que les fiches de l'outil électrique soient adaptées au socle. Ne jamais modifier la fiche de quelque façon que ce soit. Ne pas utiliser d'adaptateurs avec des outils à branchement de terre. Des fiches non modifiées et des socles adaptés réduiront le risque de choc électrique.
- Éviter tout contact du corps avec des surfaces reliées à la terre telles que les tuyaux, les radiateurs, les cuisinières et les réfrigérateurs. Il existe un risque accru de choc électrique si votre corps est relié à la terre.
- Ne pas exposer les outils à la pluie ou à des conditions humides. La pénétration d'eau à l'intérieur d'un outil augmentera le risque de choc électrique.
- Ne pas maltraiter le cordon. Ne jamais utiliser le cordon pour porter, tirer ou débrancher l'outil. Maintenir le cordon à l'écart de la chaleur, du lubrifiant, des arêtes ou des parties en mouvement. Des cordons endommagés ou emmêlés augmentent le risque de choc électrique.
- Lorsqu'on utilise un outil à l'extérieur, utiliser un prolongateur adapté à l'utilisation extérieure. L'utilisation d'un cordon adapté à l'utilisation extérieure réduit le risque de choc électrique.
- Si l'usage d'un outil dans un emplacement humide est inévitable, utiliser une alimentation

protégée par un dispositif à courant résiduel (RCD). L'usage d'un RCD réduit le risque de choc électrique.

3. SÉCURITÉ DES PERSONNES

- Rester vigilant, regarder ce que vous êtes en train de faire et faire preuve de bon sens dans votre utilisation de l'outil. Ne pas utiliser un outil lorsque vous êtes fatigué ou sous l'emprise de drogues, d'alcool ou de médicaments. Un moment d'inattention en cours d'utilisation d'un outil peut entraîner des blessures graves des personnes.
- Utiliser un équipement de sécurité. Toujours porter une protection pour les yeux. Les équipements de sécurité tels que les masques contre les poussières, les chaussures de sécurité antidérapantes, les casques ou les protections acoustiques utilisés pour les conditions appropriées réduiront les blessures de personnes.
- Éviter tout démarrage intempestif. S'assurer que l'interrupteur est en position arrêté avant de brancher l'outil au secteur et/ou au bloc de batteries, de le ramasser ou de le porter. Porter les outils en ayant le doigt sur l'interrupteur ou brancher des outils dont l'interrupteur est en position marche est source d'accidents.
- Retirer toute clé de réglage avant de mettre l'outil en marche. Une clé laissée fixée sur une partie tournante de l'outil peut donner lieu à des blessures de personnes.
- Ne pas se précipiter. Garder une position et un équilibre adaptés à tout moment. Cela permet un meilleur contrôle de l'outil dans des situations inattendues.
- S'habiller de manière adaptée. Ne pas porter de vêtements amples ou de bijoux. Garder les cheveux, les vêtements et les gants à distance des parties en mouvement. Des vêtements amples, des bijoux ou les cheveux longs peuvent être pris dans des parties en mouvement.
- Si des dispositifs sont fournis pour le raccordement d'équipements pour l'extraction et la récupération des poussières, s'assurer qu'ils sont connectés et correctement utilisés. Utiliser des collecteurs de poussière peut réduire les risques dus aux poussières.

4. UTILISATION ET ENTRETIEN DE L'OUTIL

- Ne pas forcer l'outil. Utiliser l'outil adapté à votre application. L'outil adapté réalisera mieux le travail et de manière plus sûre au régime pour lequel il a été construit.
- Ne pas utiliser l'outil si l'interrupteur ne permet pas de passer de l'état de marche à arrêté et vice versa. Tout outil qui ne peut pas être commandé par l'interrupteur est dangereux et il faut le réparer.
- Débrancher la fiche de la source d'alimentation en courant et/ou le bloc de batteries de l'outil avant tout réglage, changement d'accessoires ou avant de ranger l'outil. De telles mesures de sécurité préventives réduisent le risque de démarrage accidentel de l'outil.

- d) Conserver les outils à l'arrêt hors de la portée des enfants et ne pas permettre à des personnes ne connaissant pas l'outil ou les présentes instructions de le faire fonctionner. Les outils sont dangereux entre les mains d'utilisateurs novices.
- e) Observer la maintenance de l'outil. Vérifier qu'il n'y a pas de mauvais alignement ou de blocage des parties mobiles, des pièces cassées ou toute autre condition pouvant affecter le fonctionnement de l'outil. En cas de dommages, faire réparer l'outil avant de l'utiliser. De nombreux accidents sont dus à des outils mal entretenus.
- f) Garder affûtés et propres les outils permettant de couper. Des outils destinés à couper correctement entretenus avec des pièces coupantes tranchantes sont moins susceptibles de bloquer et sont plus faciles à contrôler.
- g) Utiliser l'outil, les accessoires et les lames etc., conformément à ces instructions, en tenant compte des conditions de travail et du travail à réaliser. L'utilisation de l'outil pour des opérations différentes de celles prévues pourrait donner lieu à des situations dangereuses.

5. MAINTENANCE ET ENTRETIEN

- a) Faire entretenir l'outil par un réparateur qualifié utilisant uniquement des pièces de rechange identiques. Cela assurera que la sécurité de l'outil est maintenue.

Avertissements de sécurité lors du travail avec des ponceuses à béton

Avertissements de sécurité communs pour les opérations de meulage

- a) Cet outil électrique est destiné à fonctionner comme meuleuse. Lire toutes les mises en garde de sécurité, les instructions, les illustrations et les spécifications fournies avec cet outil électrique. Le fait de ne pas suivre toutes les instructions données ci-dessous peut provoquer un choc électrique, un incendie et/ou une blessure grave.
- b) Les opérations de ponçage, de broissage métallique, de lustrage ou de tronçonnage ne sont pas recommandées avec cet outil électrique. Les opérations pour lesquelles l'outil électrique n'a pas été conçu peuvent provoquer un danger et causer un accident corporel.
- c) Ne pas utiliser d'accessoires non conçus spécifiquement et recommandés par le fabricant d'outils. Le simple fait que l'accessoire puisse être fixé à votre outil électrique ne garantit pas un fonctionnement en toute sécurité.
- d) La vitesse assignée de l'accessoire doit être au moins égale à la vitesse maximale indiquée sur l'outil électrique. Les accessoires fonction-

nant plus vite que leur vitesse assignée peuvent se rompre et voler en éclat.

- e) Le diamètre extérieur et l'épaisseur de votre accessoire doivent se situer dans le cadre des caractéristiques de capacité de votre outil électrique. Les accessoires dimensionnés de façon incorrecte ne peuvent pas être protégés ou commandés de manière appropriée.
- f) Le montage fileté d'accessoires doit être adapté au filet de l'arbre de la meuleuse. Pour les accessoires montés avec des flasques, l'alésage central de l'accessoire doit s'adapter correctement au diamètre du flasque. Les accessoires qui ne correspondent pas aux éléments de montage de l'outil électrique seront en déséquilibre, vibreront de manière excessive et pourront provoquer une perte de contrôle.
- g) Ne pas utiliser d'accessoire endommagé. Avant chaque utilisation examiner les accessoires comme les meules abrasives pour détecter la présence éventuelle de copeaux et fissures, les patins d'appui pour détecter des traces éventuelles de fissures, de déchirure ou d'usure excessive, ainsi que les brosses métalliques pour détecter des fils desserrés ou fissurés. Si l'outil électrique ou l'accessoire a subi une chute, examiner les dommages éventuels ou installer un accessoire non endommagé. Après examen et installation d'un accessoire, placez-vous ainsi que les personnes présentes à distance du plan de l'accessoire rotatif et faire marcher l'outil électrique à vitesse maximale à vide pendant 1 min. Les accessoires endommagés seront normalement détruits pendant cette période d'essai.
- h) Porter un équipement de protection individuelle. En fonction de l'application, utiliser un écran facial, des lunettes de sécurité ou des verres de sécurité. Le cas échéant, utiliser un masque antipoussières, des protections auditives, des gants et un tablier capables d'arrêter les petits fragments abrasifs ou des pièces à usiner. La protection oculaire doit être capable d'arrêter les débris volants produits par les diverses opérations. Le masque antipoussières ou le respirateur doit être capable de filtrer les particules produites par vos travaux. L'exposition prolongée aux bruits de forte intensité peut provoquer une perte de l'audition.
- i) Maintenir les personnes présentes à une distance de sécurité par rapport à la zone de travail. Toute personne entrant dans la zone de travail doit porter un équipement de protection individuelle. Des fragments de pièce à usiner ou d'un accessoire cassé peuvent être projetés et provoquer des blessures en dehors de la zone immédiate d'opération.
- j) Tenir l'outil uniquement par les surfaces de préhension isolantes, pendant les opérations au cours desquelles l'accessoire coupant peut être en contact avec des conducteurs cachés. Le contact de l'accessoire coupant avec un fil «sous tension» peut également mettre «sous tension» les parties métalliques exposées de l'outil

électrique et provoquer un choc électrique sur l'opérateur.

- k) **Placer le câble éloigné de l'accessoire de rotation.** Si vous perdez le contrôle, le câble peut être coupé ou subir un accroc et votre main ou votre bras peut être tiré dans l'accessoire de rotation.
- l) **Ne jamais reposer l'outil électrique avant que l'accessoire n'ait atteint un arrêt complet.** L'accessoire de rotation peut agripper la surface et arracher l'outil électrique hors de votre contrôle.
- m) **Ne pas faire fonctionner l'outil électrique en le portant sur le côté.** Un contact accidentel avec l'accessoire de rotation pourrait accrocher vos vêtements et attirer l'accessoire sur vous.
- n) **Nettoyer régulièrement les orifices d'aération de l'outil électrique.** Le ventilateur du moteur attirera la poussière à l'intérieur du boîtier et une accumulation excessive de poudre de métal peut provoquer des dangers électriques.
- o) **Ne pas faire fonctionner l'outil électrique à proximité de matériaux inflammables.** Des étincelles pourraient enflammer ces matériaux.
- p) **Ne pas utiliser d'accessoires qui nécessitent des réfrigérants fluides.** L'utilisation d'eau ou d'autres réfrigérants fluides peut aboutir à une électrocution ou un choc électrique.

Autres instructions de sécurité pour toutes les opérations

Rebonds et mises en garde correspondantes

Le rebond est une réaction soudaine au pincement ou à l'accrochage d'une meule rotative, d'un patin d'appui, d'une brosse ou de tout autre accessoire. Le pincement ou l'accrochage provoque un blocage rapide de l'accessoire en rotation qui, à son tour, contraint l'outil électrique hors de contrôle dans le sens opposé de rotation de l'accessoire au point du grippage.

Par exemple, si une meule abrasive est accrochée ou pincée par la pièce à usiner, le bord de la meule qui entre dans le point de pincement peut creuser la surface du matériau, provoquant des sauts ou l'expulsion de la meule. La meule peut sauter en direction de l'opérateur ou encore en s'en éloignant, selon le sens du mouvement de la meule au point de pincement. Les meules abrasives peuvent également se rompre dans ces conditions.

Le rebond résulte d'un mauvais usage de l'outil et/ou de procédures ou de conditions de fonctionnement incorrectes et peut être évité en prenant les précautions appropriées spécifiées ci-dessous.

- a) **Maintenir fermement l'outil électrique et placer votre corps et vos bras pour vous permettre de résister aux forces de rebond.** Toujours utiliser une poignée auxiliaire, le cas échéant, pour une maîtrise maximale du rebond ou de la réaction de couple au cours du démarrage. L'opérateur peut maîtriser les couples de réaction ou les forces de rebond, si les précautions qui s'imposent sont prises.
- b) **Ne jamais placer votre main à proximité de l'accessoire en rotation.** L'accessoire peut effectuer un rebond sur votre main.
- c) **Ne pas vous placer dans la zone où l'outil électrique se déplacera en cas de rebond.** Le

rebond pousse l'outil dans le sens opposé au mouvement de la meule au point d'accrochage.

- d) **Apporter un soin particulier lors de travaux dans les coins, les arêtes vives etc.** Éviter les rebondissements et les accrochages de l'accessoire. Les coins, les arêtes vives ou les rebondissements ont tendance à accrocher l'accessoire en rotation et à provoquer une perte de contrôle ou un rebond.
- e) **Ne pas fixer de chaîne coupante, de lame de sculpture sur bois, de chaîne coupante ni de lame de scie dentée.** De telles lames provoquent des rebonds fréquents et des pertes de contrôle.
 - Maintenir la pièce à travailler à l'aide d'un dispositif de fixation approprié.

Mises en garde de sécurité spécifiques aux opérations de meulage:

- a) **Utiliser uniquement des types de meules recommandés pour votre outil électrique et le protecteur spécifique conçu pour la meule choisie.** Les meules pour lesquelles l'outil électrique n'a pas été conçu ne peuvent pas être protégées de façon satisfaisante et sont dangereuses.
- b) **La surface de meulage des meules à moyen déporté doit être montées sous le plan de la lèvre du protecteur.** Une meule montée de manière incorrecte qui dépasse du plan de la lèvre du protecteur ne peut pas être protégée de manière appropriée.
- c) **Le protecteur doit être solidement fixé à l'outil électrique et placé en vue d'une sécurité maximale, de sorte que l'opérateur soit exposé le moins possible à la meule.** Le protecteur protège l'opérateur contre des fragments volant d'une meule qui se brise, contre un contact accidentel avec la meule et contre des étincelles qui risquent d'enflammer ses vêtements.
- d) **Les meules doivent être utilisées uniquement pour les applications recommandées.** Par exemple: ne pas meuler avec le côté de la meule à tronçonner. Les meules à tronçonner abrasives sont destinées au meulage périphérique, l'application de forces latérales à ces meules peut les briser en éclats.
- e) **Toujours utiliser des flasques de meule non endommagés qui sont de taille et de forme correctes pour la meule que vous avez choisie.** Des flasques de meule appropriés supportent la meule réduisant ainsi la possibilité de rupture de la meule. Les flasques pour les meules à tronçonner peuvent être différents des autres flasques de meule.

Consignes supplémentaires de sécurité



AVERTISSEMENT: Avant de bancher l'appareil électrique dans le réseau d'alimentation électrique, assurez-vous que la tension de celui-ci est bien celle indiquée sur la plaquette contenant les caractéristiques techniques de cet appareil.

- Une source de courant à tension plus élevée que celle indiquée pour l'appareil peut causer à l'opérateur de

sérieux dommages dus au courant électrique et en outre endommager l'appareil.

- Si vous avez des hésitations à ce sujet, ne branchez pas l'appareil au réseau électrique.
- L'utilisation d'une source d'alimentation à tension plus basse que celle indiquée sur la plaquette de l'appareil électrique endommagera celui-ci.



Portez toujours des lunettes de protection et une protection antibruit, de même qu'un masque de protection contre la poussière. La poussière et les particules abrasives qui se détachent pendant le travail représentent un danger grave pour votre santé.

- **Lors du travail dans un milieu poussiéreux, les orifices de ventilation de la machine doivent être gardés propres. S'ils ont besoin d'être nettoyés de la poussière, commencez par couper le courant (retirer la batterie), puis utilisez pour le nettoyage des outils non métalliques en veillant à ne pas endommager les pièces intérieures de la machine. L'appareil électrique risque de se surchauffer en cas de refroidissement insuffisant dû à l'obstruction des orifices de ventilation.**
- **Tenez l'outil uniquement par les surfaces de préhension isolantes, pendant les opérations au cours desquelles l'accessoire coupant peut être en contact avec des conducteurs cachés ou avec son propre câble. Le contact de l'accessoire coupant avec un fil „sous tension“ peut également mettre „sous tension“ les parties métalliques exposées de l'outil électrique et provoquer un choc électrique sur l'opérateur.**
- **Arrêtez toujours l'appareil et débranchez-le du réseau avant d'effectuer sur celui-ci tout réglage et opération de service ou d'entretien.**
- A la suite d'un long travail, les parties métalliques extérieures et les accessoires peuvent devenir très chauds.
- Chaque fois que possible, utilisez des dispositifs de fixation ou un étau pour fixer la pièce traitée.
- Débranchez toujours l'appareil avant de le mettre de côté.
- Ne surchargez pas l'appareil: travaillez à vitesse moyenne. La surcharge est causée par l'application d'une pression trop forte lors de laquelle le moteur électrique ralentit sa vitesse de rotation, ce qui crée des conditions de fonctionnement inefficace et peut éventuellement endommager l'appareil.
- Ne jamais laisser trainer dans la zone de travail des chiffons, des fils, des ficelles, etc.
- Éliminez préalablement de la surface à traiter tous les clous, les vis, etc.
- Avant d'utiliser l'appareil électrique sur une surface concrète, mettez-le en marche et laissez-le fonctionner à vide un certain temps. Pendant le travail, l'instrument doit se trouver à au moins 200 mm de votre visage et de votre corps.
- Tenez toujours votre corps dans un équilibre stable. Lorsque vous travaillez avec l'appareil à un endroit élevé, assurez-vous qu'au-dessous de vous il n'y a personne.
- Tenez l'appareil fermement en mains.
- Veillez à ce que vos mains n'entrent pas en contact

avec les pièces en rotation. Ne touchez pas l'outil de travail ou la pièce traitée immédiatement après le fin du travail : ils peuvent être très chauds et vous risquez de vous brûler.

- L'appareil doit être utilisé uniquement pour les travaux pour lesquels il a été prévu. Toute autre utilisation, différente que celle décrite dans la présente instruction, doit être considérée comme abusive. Le producteur décline toute responsabilité en cas de dommage ou de blessure causée par une utilisation abusive, cette responsabilité étant alors entièrement portée par l'utilisateur.
- Afin de utiliser l'appareil correctement, vous devez respecter les consignes de sécurité, les instructions concernant le montage et celles concernant l'exploitation qui figurent dans le présent document. Toute personne qui utilise ou entretient l'appareil doit bien connaître la présente instruction et être informée sur les dangers potentiels liés à son utilisation. Il est interdit aux enfants et aux personnes n'ayant pas une force physique suffisante d'utiliser l'appareil. Les enfants se trouvant dans la zone de travail doivent être sous une surveillance incessante. Vous devez obligatoirement respecter les consignes de sécurité en vigueur dans votre pays. Ceci est également valable pour les consignes concernant la salubrité du travail et la sécurité technique.
- Le producteur décline toute responsabilité en cas de modifications apportées à l'appareil qui ont endommagées celui-ci.

Même lorsque l'appareil est utilisé dans le strict respect des consignes, il n'est pas possible d'éliminer tous les facteurs de risque. Peuvent se produire les incidents suivants liés à la conception et à au design de l'appareil électrique:

- Des dommages à l'ouïe en cas d'utilisation de dispositifs antibruit inefficaces.
- Un accident causé par un appareil qui n'a pas été débranché; donc débranchez toujours celui-ci du réseau avant tout réglage ou procédure d'entretien, y compris de changement des accessoires de travail.
- L'appareil électrique ne doit être utilisé à l'extérieur lorsqu'il pleut, dans un milieu humide (après la pluie) ou à proximité de liquides et de gaz facilement inflammables. Le lieu de travail doit être bien éclairé.

Nomenclature

Avant de commencer le travail avec la ponceuse, prenez connaissance de ces particularités et des conditions de sécurité.

L'appareil doit être utilisé uniquement pour les travaux pour lesquels il a été prévu. Toute autre utilisation est strictement interdite.

1. Arbre
2. Protection du disque
3. Poulie de butée
4. Disque de la ponceuse doté de segments à diamants
5. Poulie de butée à face droite
6. Ecrou de fixation
7. Interrupteur
8. Bouton de calage de l'arbre
9. Balai d'étanchéité

- 10. Etrier d'attache
- 11. Poignée supplémentaire
- 12. Clé spéciale
- 13. Vis

Utilisation

Ces appareils électriques sont alimentés en courant alternatif monophasé. Ils possèdent une double isolation, conformément à EN 60745-1 et IEC 60745 et peuvent être branchés à des prises qui ne possèdent pas de bornes de protection. Pour ce qui est des interférences radio, il est conforme aux la directive sur la compatibilité électromagnétique.

Cet appareil est destiné au ponçage brut et fin de béton et de matériaux en pierre en vue de leur nettoyage avant d'y déposer du mastic ou des revêtements de protection. La machine est conçue uniquement pour le ponçage à sec.

AVANT LE DEBUT DU TRAVAIL

- Assurez-vous que la tension du secteur correspond à celle indiquée sur la plaquettes contenant les données techniques sur l'instrument.
- Vérifiez la position de l'interrupteur. L'appareil doit être toujours branché et débranché du secteur interrupteur on position OFF.
- Assurez-vous que le câble électrique et sa fiche sont en parfait état. Si le câble d'alimentation est endommagé, il doit être remplacé par le producteur ou un spécialiste agréé par celui-ci afin d'éviter les éventuels risques liés à son remplacement.



AVERTISSEMENT: Arrêtez toujours l'appareil et débranchez-le du réseau avant d'effectuer sur celui-ci tout réglage et opération de service ou d'entretien.

- Lors de l'utilisation de disques à tronçonner diamantés, veillez à ce que la flèche indiquant le sens de rotation qui se trouve sur le disque diamanté à tronçonner coïncide avec le sens de rotation de l'outil électroporatif (voir la flèche indiquant le sens de rotation qui se trouve sur le carter d'engrenage).
- Utilisez toujours la poignée supplémentaire et tenez toujours l'appareil avec les deux mains afin de maîtriser au maximum les ricochets et l'effet de contre-rotation lors de la mise de l'appareil en marche. (Fig. 1)

MARCHE - ARRÊT

Avant de brancher l'appareil au secteur, n'oubliez jamais de vous assurer que l'interrupteur est en bon état et qu'il revient en position OFF chaque fois qu'il est libéré.

1. Pour mettre l'appareil en marche, il faut déplacer la glissière (7) en avant jusqu'à ce que sa partie d'avant d'enfonce et se bloque. (Fig. 2)
2. Pour mettre l'appareil hors fonction, enfoncez la partie arrière, surélevée, de la glissière (7), puis laissez celle-ci revenir d'elle-même en arrière, en position initiale. (Fig. 3)

DISPOSITIF ELECTRONIQUE

L'appareil possède un appareil électronique qui remplit les fonctions suivantes:

- Protection contre une chute de tension. En cas d'interruption du courant dans le réseau d'alimentation pour une période dépassant 0,5 s, l'instrument cesse de fonctionner, même lorsque sa glissière est bloquée en position de fonctionnement. Pour remettre l'appareil en fonctionnement, il est nécessaire dans ce cas de mettre l'interrupteur en position «arrêt», puis de le remettre en position de marche.
- Démarrage progressif et limitation de la force du courant de démarrage. Un tel démarrage assure une mise en marche progressive de la machine, sans choc, et évite l'apparition de variations de la tension dans le réseau d'alimentation.
- Entretien d'une vitesse de rotation constante dans un large diapason de charge.
- Protection contre une brève surcharge. En cas de grandes et brèves surcharges est activé un court-circuiter qui réduit brusquement la vitesse de rotation de l'appareil. Afin de rétablir le fonctionnement normal de l'appareil, écarterz celui-ci du matériel traité.
- Protection contre la température. En cas de surcharges moins grandes, mais durables entre en action une protection contre la température. Avant que la température atteigne une valeur critique, l'électronique arrête l'appareil, puis celui-ci passe d'un régime de travail en un régime de protection qui se caractérise par une vitesse limitée de rotation. Dans ce régime, l'appareil est inapte au travail. En régime de protection, l'appareil fonctionne à une vitesse réduite afin que le refroidissement s'accélère, mais IL EST INAPTE AU TRAVAIL. Au bout de 3 à 5 minutes, l'appareil est refroidi et il est de nouveau prêt au travail. Pour le remettre l'appareil en régime de travail, il est nécessaire de mettre l'interrupteur en position «arrêt», puis de le remettre en marche.

PROTECTION DU DISQUE

La protection (2) du disque doit restée toujours installée sur l'appareil!

MONTAGE, ECHANGE ET REGLAGE DE LA POSUTION DU DISQUE DE TRAVAIL

Assurez-vous que le diamètre et l'épaisseur du disque ne sont pas supérieurs à ceux indiqués dans la fiche technique. La vitesse de rotation indiquée sur le disque ne doit pas être inférieure à la vitesse de rotation de l'appareil à vide.

L'arbre (1) de la ponceuse est fixé par pression du bouton (8) situé sur la boîte du réducteur.



AVERTISSEMENT: Il est interdit de presser sur le bouton (8) pendant la rotation.

Le bouton étant enfoncé, on tourne l'arbre jusqu'à ce que le bouton s'enfonce de façon sensible encore plus profondément. L'écrin (6) est dévissé à l'aide d'une clé spéciale (12).

Compte tenu de l'usure du disque, de même que pour

obtenir une élimination optimale de la poussière, il est possible de régler la position du disque.
Lors de la fixation d'un nouveau disque, disposez les éléments sur l'arbre dans l'ordre suivant: poulie de butée (3); disque (4); écrou de fixation (6) avec sa partie libre du côté du disque, comme le montre la Fig. 4.



AVERTISSEMENT: La pose de l'écrou (6) avec sa partie convexe du côté du disque rendrait impossible la fixation du disque de travail.

Lorsque le disque est usé à moitié ou davantage, disposez les éléments sur l'arbre de la machine dans l'ordre suivant : poulie de butée à face droite (5) ; disque (4); écrou de fixation (6) avec sa partie convexe du côté du disque, comme le montre la Fig. 5.



AVERTISSEMENT: Lorsqu'on pose l'écrou (6) avec sa partie libre du côté du disque, celui-ci ne pourra pas être centré et cela mènera à de fortes vibrations, ce qui crée un danger d'accident.



AVERTISSEMENT: Après le remplacement du disque, l'appareil devra fonctionner à vide avec le nouveau disque durant au moins 30 secondes. Les disques qui vibrent ou le tournent par rond doivent être immédiatement remplacés.

Lorsque le disque change de position, rectifiez si nécessaire sa position ou remplacez le balai d'étanchéité.

REGLAGE DE LA POSITION (REPLACEMENT) DUBALAI D'ETANCHEITE

Le balai (9) sert à réduire au minimum l'émission de poussière dans l'espace environnant. Il s'use parallèlement à l'usure du disque. Lors de la pose d'un nouveau disque, remplacez si nécessaire également le balai d'étanchéité. Désérrez la vis de l'étrier d'attache (10) et enlevez le balai usé. Mettez en place le nouveau balai en veillant à ce que le bord du dispositif de protection (2) touche l'épaulement du balai. Remettez et resserrez l'étrier d'attache (10).

LA POIGNEE SUPPLEMENTAIRE

La poignée supplémentaire (11) est fixée au réducteur de l'appareil à l'aide de deux vis. Utilisez toujours la poignée supplémentaire et tenez toujours l'appareil avec les deux mains. (Fig. 1)

FONCTIONNEMENT AVEC ELIMINATION DE LA POUSSIERE

L'appareil de doit être utilisé qu'avec le dispositif d'élimination de la poussière. Il faut en outre porter un masque de protection contre la poussière. L'aspirateur doit pouvoir éliminer la poussière de la surface des pierres. L'aspirateur doit être relié au tuyau d'élimination de la poussière du dispositif de protection. Nous recommandons d'utiliser un aspirateur industriel possédant les caracté-

ristiques techniques minimales suivantes: débit 60 l/s et sous-pression (vide) de 180 mbar.

ACCESSOIRES À UTILISER AVEC LA MACHINE

Disque de coupe à segments abrasifs Ø125 x Ø22.23 x 22

AVERTISSEMENT: Pour le travail avec votre appareil électrique il est recommandé d'utiliser les accessoires et dispositifs mentionnés ci-dessus. L'utilisation d'accessoires et dispositifs différents crée des conditions pouvant conduire à un accident. Utilisez les accessoires et dispositifs uniquement comme prévu. Pour plus de renseignements sur ces accessoires, adressez-vous au représentant local de SPARKY.

Entretien



AVERTISSEMENT: Avant tout examen ou opération d'entretien, arrêtez l'appareil et débranchez-le du réseau électrique.

REPLACEMENT DES BALAIS

L'appareil est doté de balais qui se déconnectent automatiquement. Lorsque les balais sont usés, ils doivent être remplacés tous les deux à la fois par des balais originaux de SPARKY lors d'un entretien dans le cadre de la garantie ou en dehors de celle-ci.

EXAMEN GENERAL

Examinez régulièrement tous les éléments de fixation pour vous assurer qu'ils sont bien serrés. Au cas où une vis s'est desserrée, resserrez-la immédiatement pour éviter tout risque.

Si les vis (13) viennent à se desserrer, elles doivent être solidement resserrées et avant de les resserrer, il faut enduire le filetage de chaque vis (13) d'adhésif pour la fixation de filetages.

Lubrifiez régulièrement toutes les pièces mobiles. Si le câble d'alimentation est endommagé, son remplacement doit être effectué par le producteur ou un spécialiste agréé par lui, afin d'éviter tout risque.

NETTOYAGE

Pour un fonctionnement sécurisé, veillez à la propreté de l'appareil et de ses orifices de ventilation.

Vérifiez régulièrement si sur la grille de ventilation située à proximité du moteur ou autour des commutateurs ne s'est pas déposée de la poussière ou quelque corps étranger. Utilisez une brosse douce pour l'élimination de la poussière. Pour protéger vos yeux, lors du nettoyage, portez des lunettes de protection.

Si le boîtier de l'appareil a besoin d'être nettoyé, essuyez-le avec un chiffon doux humide. Vous pouvez utiliser un produit de nettoyage non agressif.



AVERTISSEMENT: Il est interdit d'utiliser de l'alcool, de l'essence ou d'autres solvants. N'utilisez jamais de produits possédant un effet agressif pour le nettoyage des pièces en matière plastique.



AVERTISSEMENT: Il est interdit de permettre à l'eau de pénétrer à l'intérieur de l'appareil.

AVIS IMPORTANT! Afin d'assurer un fonctionnement sûr et fiable de l'appareil, toutes les opérations de réparation, d'entretien et de réglage de celui-ci (y compris l'examen et le remplacement des balais) doivent être effectuées dans des centres d'entretien agréés par SPARKY avec l'utilisation exclusive de pièces de rechange originales.

Garantie

La période de garantie des outils électroportatifs SPARKY est définie dans le contrat de garantie.

La garantie ne couvre pas les pannes apparues suite à l'usure naturelle, une surcharge ou une mauvaise exploitation.

Les pannes survenues pour cause de matériaux défectueux et/ou d'erreurs de fabrication seront réparées gratuitement ou le produit sera échangé.

Les réclamations pour un instrument SPARKY défectueux seront honorées si la machine est retournée au livreur ou est présentée à un service après-vente agréé assemblé et dans son état original (assemblée).

Note

Lisez attentivement toute cette instruction d'utilisation avant de commencer à vous servir de l'outil.

Le fabricant ne se défait pas du droit d'introduire des améliorations et des changements dans ses produits ainsi que de changer les spécifications sans avis préalable.

Les spécifications peuvent différer selon les pays.

Indice

Introduzione	30
Caratteristiche tecniche	32
Avvertenze di sicurezza	33
Ulteriori norme di sicurezza per levigatrici	34
Elementi della macchina.....	36
Uso della macchina	36
Manutenzione	38
Garanzia.....	38

PRIMA DELL'USO

Prima dell'uso verificare la presenza di tutti i componenti e degli accessori elencati. In caso di mancanze o apparenti difetti rivolgersi al rivenditore specializzato. L'inosservanza di tale raccomandazione potrebbe provocare gravi incidenti.

ASSEMBLAGGIO

La levigatrice per cemento e intonaco, imballata in una valigia metallica, viene fornita completamente montata, pronta all'uso.

La levigatrice per cemento e intonaco, imballata in una valigia in plastica, viene fornita montata, l'impugnatura a staffa essendo attaccata, ma non serrata. Mettere l'impugnatura a staffa nella posizione desiderata e stringere con la chiave meccanica in dotazione.

Introduzione

Questo utensile SPARKY supererà le Vostre aspettative. La produzione secondo i rigorosi standard di qualità SPARKY assicura un'ottima prestazione. Se utilizzato correttamente, l'utensile risulterà maneggevole e sicuro, e garantirà un uso duraturo.



AVVERTENZA:

Leggere attentamente tutte le istruzioni prima dell'utilizzo dell'utensile. Leggere con cura soprattutto le parti introdotte da "Attenzione!". Questo utensile SPARKY presenta numerose caratteristiche che faciliteranno il Suo lavoro. Sicurezza, qualità ed affidabilità sono punti chiave nello sviluppo di questo utensile, e lo rendono semplice nell'uso e nella manutenzione.



Non smaltire elettrodomestici insieme a rifiuti domestici!

Residui di prodotti elettrici devono essere smaltiti separatamente dai rifiuti domestici e sottoposti ad un riciclaggio ecologico. Si prega di informarsi presso le autorità locali o i rivenditori specializzati circa il più vicino luogo di raccolta.



RISPETTO DELL'AMBIENTE

Macchina, accessori ed imballaggio devono essere destinati ad una riutilizzazione ecologica per il recupero di materie prime.

I componenti in plastica sono contrassegnati per relativo riciclaggio.

SIMBOLI

L'etichetta che si trova sulla macchina contiene alcuni simboli. Questi forniscono importanti informazioni sull'utensile o istruzioni sull'uso dello stesso.



Doppio isolamento per una protezione supplementare



Attacco filettato M14



Corrisponde alle direttive europee applicabili



Conforme alle esigenze dei documenti normativi ucraini



Corrisponde alle esigenze dei regolamenti dell'unione doganale



Prendere conoscenza delle istruzioni per l'uso

YYYY-Www


Periodo di produzione, ove i simboli variabili sono:

YYYY – l'anno di produzione, ww – la settimana di calendario consecutiva

FB

LEVIGATRICE PER CEMENTO E INTONACO

Caratteristiche tecniche

Modello:	FB 514
• Potenza assorbita	1400 W
• Numero di giri nominale	10500 min ⁻¹
• Attacco filettato	M14
• Lunghezza filettatura	20 mm
• Diametro del foro	Ø22.23 mm
• Diametro max della mola	Ø125 mm
• Spessore max della mola	22 mm
• Diametro raccordo aspirapolvere	Ø35 mm
• Dimensioni:	
lunghezza	325 mm
larghezza	190 mm
altezza	200 mm
• Peso (secondo normativa 01/2014)	3.1 kg
• Classe di protezione (EN 60745-1) 	II

INFORMAZIONI SULLA RUMOROSITÀ E SULLA VIBRAZIONE

Valori determinati secondo la normativa EN 60745

Valori di emissione acustica

Misurazione A del livello di pressione acustica L _{pA}	90 dB (A)
Incertezza K _{pA}	3 dB (A)
Misurazione A del livello di potenza acustica L _{WA}	101 dB (A)
Incertezza K _{WA}	3 dB (A)

Utilizzare cuffie di protezione!

Livello di vibrazione *

Valori di vibrazione totale (somma dei vettori dei tre assi) determinati secondo la normativa EN 60745:

Levigatura di cemento

Livello di vibrazione a _b	5,8 m/s ²
Incertezza K	1,5 m/s ²

* Valori di vibrazione determinati secondo la normativa EN 60745-1 (paragrafo 6.2.7).

Il livello di vibrazione sopra indicato è stato definito seguendo il metodo di misurazione riportato nella normativa EN 60745 e può essere utilizzato per confrontare tra di loro diversi elettrotensili. Inoltre è adatto per effettuare una stima provvisoria del livello di esposizione.

Il livello di vibrazione si riferisce alle modalità d'uso principali dell'utensile. Tuttavia, se utilizzato per scopi diversi da quelli previsti, con punte poco stabili o senza adeguata manutenzione, il livello di vibrazione può variare. Ciò può aumentare sensibilmente il livello di esposizione durante il lavoro.

Per una precisa definizione del livello di esposizione dovrebbe essere preso in considerazione anche l'arco di tempo in cui l'utensile è spento o funzionante ma non in uso. Ciò può ridurre sostanzialmente il livello di esposizione durante il lavoro.

Utilizzare l'utensile e gli accessori con cura, e maneggiarlo mantenendo le mani calde così da ridurre gli effetti dannosi dell'elevato livello di vibrazioni.

Polvere derivante da materiali come vernici contenenti particelle di piombo, alcuni tipi di legno, minerali e metallo potrebbe essere nociva. Il contatto o l'inalazione di tali polveri potrebbe causare reazioni allergiche e/o problemi al sistema respiratorio dell'utente o di terzi.

Talune tipologie di polveri, come ad esempio quella derivante da legno di quercia o faggio, soprattutto se trattati con additivi e conservanti, sono classificate come cancerogene. Si consiglia di fare trattare materiali contenenti asbesto solo a persone esperte.

- Se possibile collegare sempre la macchina ad un dispositivo di aspirazione.
- Per garantire un'area di lavoro pulita utilizzare un aspirapolvere per trucioli e/o minerali insieme all'utensile.
- Tenere l'area di lavoro ben pulita e ventilata.
- Si consiglia l'uso di una mascherina o filtro di classe P2.

Osservare le direttive nazionali relative al materiale da lavorare.

Avvertenze di sicurezza



ATTENZIONE! Leggere tutte le istruzioni d'uso e le avvertenze di sicurezza. L'inosservanza delle istruzioni seguenti può causare folgorazioni, incendi e/o gravi danni a persone.

Conservare con cura queste istruzioni.

Il termine "utensile" in tutte le avvertenze successive si riferisce sia agli utensili collegati alla rete elettrica (con cavo di alimentazione) che agli utensili a batteria (senza cavo).

1. AREA DI LAVORO

- Mantenere l'area di lavoro pulita e ben illuminata. Le zone buie ed ingombre di oggetti favoriscono incidenti.
- Non utilizzare l'utensile in presenza di liquidi infiammabili, gas o polvere. Le scintille generate potrebbero infiammare polvere e/o vapore.
- Tenere a distanza bambini e terzi durante il funzionamento. Per una distrazione potreste perdere il controllo dell'utensile.

2. SICUREZZA ELETTRICA

- La spina dell'utensile deve essere adatta alla presa utilizzata. Non modificare la spina in alcun modo. Non utilizzare adattatori con gli utensili collegati a terra. L'impiego di una spina integra ed una presa adatta riduce i rischi di folgorazione.
- Evitare di toccare con il corpo le superfici collegate a terra quali tubi, radiatori, forni e frigoriferi. Il rischio di folgorazione aumenta se il corpo è collegato a terra.
- Non esporre l'utensile alla pioggia e all'umidità. La penetrazione d'acqua nell'utensile aumenta il rischio di folgorazione.
- Non utilizzare il cavo per scopi diversi da quello previsto. Non utilizzare il cavo per trasportare o tirare l'utensile, oppure per staccare la spina dalla presa. Tenere il cavo lontano da fonti di calore, olio, parti appuntite o in movimento. Cavi danneggiati o attorcigliati aumentano il rischio di folgorazione.
- Se l'utensile viene utilizzato all'aperto, usare una prolunga adatta all'uso esterno. L'impiego di una prolunga da esterno riduce il rischio di folgorazione.
- Se il lavoro in un ambiente umido è strettamente necessario, utilizzare una presa protetta da dispositivo a corrente residua. Ciò riduce i rischi di scosse.

3. SICUREZZA PERSONALE

- L'uso di elettro-utensili richiede attenzione e buon senso. Non utilizzare gli utensili se si è stanchi o sotto l'effetto di droghe, alcol o medicinali. Una breve disattenzione può provocare gravi danni alle persone.
- Munirsi di indumenti e dispositivi di protezione. Indossare sempre occhiali da lavoro. L'uso di dispositivi di protezione tra cui mascherina antipolvere,

scarpe antiscivolo, casco e protezioni per l'udito riduce il rischio di danni a persone.

- Evitare l'accensione accidentale. Accertarsi che l'interruttore sia in posizione "OFF" prima di inserire la spina. Se si trasportano gli utensili con il dito sull'interruttore o si inserisce la spina nella presa con l'interruttore in posizione "ON" aumenta il rischio di incidenti.
- Togliere tutte le chiavi di regolazione prima di accendere l'utensile. Una chiave lasciata inserita in una parte rotante di un utensile può provocare danni a persone.
- Non utilizzare l'utensile in condizioni estreme. Mantenere sempre l'equilibrio ed i piedi ben appoggiati a terra. Questo consente un maggior controllo dell'utensile in caso di imprevisti.
- Indossare un abbigliamento adeguato. Non indossare abiti svolazzanti o gioielli. Tenere capelli, vestiti, e guanti lontani dalle parti in movimento. Abiti svolazzanti, gioielli o capelli potrebbero impigliarsi nelle parti in movimento.
- In presenza di apparecchiature per il collegamento a dispositivi di aspirazione e raccolta delle polveri, accertarsi che essi siano collegati ed utilizzarli correttamente. L'uso di queste apparecchiature può ridurre i rischi causati dalla polvere.

4. USO E MANUTENZIONE DELL'UTENSILE

- Utilizzare l'utensile più adatto per il lavoro da svolgere. L'impiego dell'utensile giusto migliora la qualità del lavoro e la sicurezza.
- Non utilizzare l'utensile se non è possibile accenderlo e spegnerlo con l'apposito interruttore. Gli utensili che non possono essere controllati con l'interruttore sono pericolosi e devono essere riparati.
- Staccare la spina dall'alimentazione di corrente prima di eseguire regolazioni, cambiare accessori o riporre l'utensile. Osservando queste precauzioni si riduce il rischio di accensione accidentale dell'utensile.
- Riporre gli utensili non utilizzati fuori dalla portata dei bambini e non consentirne l'utilizzo a persone che non conoscono l'utensile o queste istruzioni. Nelle mani di persone inesperte gli utensili possono diventare pericolosi.
- Sottoporre l'utensile a manutenzione. Verificare il corretto allineamento di tutte le parti mobili, controllare che non siano grippate e che non vi siano rotture o altri guasti che potrebbero influire sul funzionamento dell'utensile. Far riparare gli utensili danneggiati prima di riutilizzarli. Molti incidenti sono causati da utensili in pessime condizioni.
- Tenere le punte e gli strumenti da taglio puliti ed affilati. Se sottoposti ad una regolare manutenzione e pulizia consentono di lavorare in modo più preciso e sono maggiormente controllabili.
- Utilizzare l'utensile, gli accessori, gli attrezzi etc. secondo quanto indicato in queste istruzioni nonché tenendo in considerazione le condizioni di lavoro e il lavoro da eseguire. L'impiego di utensili per scopi diversi da quelli per cui sono stati progettati può dare origine a situazioni pericolose.

5. MANUTENZIONE

- a) Far riparare l'utensile da personale qualificato che utilizzi solo parti di ricambio originali. In caso contrario la sicurezza dell'utensile potrebbe risultare compromessa.

Ulteriori norme di sicurezza per levigatrici

Istruzioni generali di sicurezza nella smerigliatura:

- a) Questo elettroutensile può essere usato come una levigatrice. Leggere tutte le istruzioni di sicurezza e altre, immagini e dati che avete ricevuto con la macchina. Il mancato rispetto delle istruzioni di sicurezza può provocare scossa elettrica, incendio e/o ferimento grave.
- b) Questo elettroutensile non è adatto per levigatura con carta a vetro, lavori con spazzole metalliche, operazioni di lucidatura e tronatura. Utilizzando l'elettroutensile per applicazioni non esplicitamente previste per lo stesso, possono verificarsi situazioni pericolose e lesioni.
- c) Non usare accessori che non sono permessi e raccomandati dal fabbricante specificamente per questo elettroutensile. Il fatto che si può fissare l'accessorio al Vostro elettroutensile non garantisce l'uso sicuro.
- d) Il numero di giri nominale dell'accessorio deve essere almeno uguale a quello massimo indicato sull'elettroutensile. Accessori che girano con una velocità superiore alla loro velocità nominale, potrebbero rompersi e i loro pezzi volare via.
- e) Il diametro esterno e lo spessore dell'utensile devono rientrare nei limiti indicati sul Vostro apparecchio elettrico. Accessori con dimensioni inconvenienti non possono essere protetti o guidati bene.
- f) Accessori con filetto riportati devono essere adatti in modo preciso alla filettatura dell'alberino. Negli accessori che vengono montati tramite flangia, il diametro del foro dell'accessorio deve corrispondere al diametro di alloggiamento della flangia. Accessori che non vengono fissati in modo preciso all'elettroutensile non ruotano in modo uniforme, vibrano molto forte e possono provocare la perdita del controllo.
- g) Non usare accessori guasti. Verificare prima di ogni impiego gli accessori – i dischi abrasivi per frastagliature e incrinature, i dischi elastici per incrinature, lacerazione o forte logorio, le spazzole metalliche per fibre allentate o rotte. Se l'elettroutensile o l'accessorio viene lasciato cadere, controllare per danneggiamento o montare l'accessorio non danneggiato. Avendo controllato e montato l'accessorio, mettersi insieme alle persone estranee fuori del piano di rotazione dell'accessorio e lasciare l'elettroutensile funzionare a giri massimi a vuoto per un minuto. Di solito questo tempo è sufficiente per gli accessori guasti di rompersi.
- h) Indossare mezzi personali di protezione. A seconda del caso concreto, usare uno scudo

protettivo per la faccia, od occhiali protettivi. Usare se necessario maschera antipolvere, mezzi per protezione dell'udito, guanti protettivi o un grembiule speciale, per trattenere le particelle provenienti dall'accessorio di smerigliatura o dal pezzo da lavorare. I mezzi per protezione degli occhi devono proteggere dai frammenti volanti risultanti dalle diverse operazioni. Le maschere antipolvere o antigas devono filtrare le particelle emanate durante il lavoro. L'esposizione continuativa a forte rumore può provocare perdita dell'udito.

- i) Tenere le persone estranee a distanza sicura dall'area del lavoro. Ogni individuo che si trova nell'area del lavoro deve indossare mezzi personali di protezione. È possibile che frammenti volanti provenienti dal pezzo da lavorare o da un accessorio rotto causino ferimento anche fuori dai limiti dall'immediata area di lavoro.
- j) Tenere l'elettroutensile soltanto per le zone isolate appositamente per essere tenute durante l'esecuzione di un'operazione, nella quale l'accessorio di taglio potrebbe toccare un impianto elettrico nascosto. Il contatto dell'accessorio di taglio a conduttore sotto tensione metterà le parti metalliche aperte dell'elettroutensile sotto tensione e l'operatore subirà una scossa elettrica.
- k) Tenere il cavo di alimentazione fuori della portata operativa dell'accessorio girante. Se si perde il controllo dell'elettroutensile, il cavo di alimentazione potrebbe essere tagliato, o intricare il palmo o la mano nella portata dell'utensile girante.
- l) Non posare mai l'elettroutensile prima che l'accessorio abbia completamente smesso di girare. L'accessorio girante potrebbe impigliare il materiale lavorato e farvi perdere il controllo dell'elettroutensile.
- m) Non lasciare l'elettroutensile in funzionamento mentre viene portato. Un tocco casuale dell'accessorio girante agli indumenti potrebbe impigliarli e l'accessorio potrebbe ferire il vostro corpo.
- n) Pulire regolarmente i fori di ventilazione dell'elettroutensile. Il ventilatore del motore elettrico succhia polvere nella carcassa, e l'ammassamento eccessivo di polvere metallica può causare pericolo di scossa elettrica.
- o) Non usare l'elettroutensile in vicinanza di materiali infiammabili. Le scintille possono accendere tali materiali.
- p) Non usare accessori il lavoro con i quali richiede mezzi liquidi refrigeranti. L'uso di acqua o altri mezzi liquidi refrigeranti potrebbe causare lesione o scossa elettrica.

Altre istruzioni di sicurezza per tutte le operazioni

Rimbalzo (contraccolpo) e le istruzioni di sicurezza relative ad esso

Il rimbalzo è la reazione subitanea in seguito ad un incastro o bloccaggio di accessorio, per esempio un disco abrasivo, disco elastico, spazzola metallica, ecc. L'incastro o bloccaggio cagiona l'improvviso arresto della rotazione dell'accessorio, che da parte sua spinge l'elettroutensile incontrollabile nella direzione contraria al senso

di rotazione dell'utensile nel punto d'incastro.

Per esempio se il disco abrasivo si incastra o si blocca nel pezzo da lavorare, lo spigolo del disco abrasivo, il quale è incuneato nel pezzo da lavorare, si inceppa e in seguito a ciò il disco può rompersi o causare rimbalzo. Il disco abrasivo rimbalza verso o dall'operatore, a seconda del senso di rotazione del disco nel punto del bloccaggio. A queste circostanze è possibile che i dischi abrasivi si rompano.

Il rimbalzo è il risultato di uso erroneo e/o operazione erronea, o improprie condizioni di lavoro con l'elettrotutensile, che si potrebbe prevenire attraverso le precauzioni adatte, descritte qui di seguito.

- a) **Tenere l'elettrotutensile saldamente con entrambe le mani, occupare un atteggiamento appropriato, e mettere le mani di modo che si possa trattenere la forza del rimbalzo. Usare sempre l'impugnatura supplementare, se l'elettrotutensile ne è munito, per avere il maggiore controllo possibile della forza del rimbalzo, o del momento reattivo all'inserimento. Attraverso le precauzioni adatte l'operatore può contenere il momento reattivo ed il rimbalzo.**
- b) **Non mettere mai le mani in prossimità dell'accessorio rotante. L'accessorio potrebbe balzare sulla vostra mano.**
- c) **Non mettersi entro il raggio in cui l'elettrotutensile avrebbe avanzato ad un rimbalzo. Il rimbalzo muove l'elettrotutensile nel senso contrario al movimento del disco, nel punto di bloccaggio.**
- d) **Nel trattare angoli, spigoli acuti, ecc., lavorare con attenzione aumentata. Non permettere all'accessorio di balzare o di bloccarsi nel pezzo lavorato. Nella lavorazione di angoli o spigoli acuti esiste la probabilità per l'accessorio rotante di incunearsi, causando così la perdita di controllo o rimbalzo.**
- e) **Non impiegare dischi a catena o dischi per sega circolare usata nella lavorazione di legname. Tali accessori causano spesso un rimbalzo o la perdita di controllo dell'elettrotutensile.**
 - **Fissare il pezzo da lavorare in una morsa o in qualche altro modo conveniente.**

Istruzioni specifiche di sicurezza nella levigatura

- a) **Usare soltanto i tipi di mole consigliate per l'elettrotutensile, con riparo previsto per esse. Mole per cui l'elettrotutensile non è disegnato, non possono essere protette sufficientemente e non sono senza pericolo.**
- b) **Dischi abrasivi piegati a gomito devono essere montati in modo tale che la loro superficie abrasiva non sporga oltre il piano del bordo della cuffia di protezione. Un disco abrasivo montato in modo non corretto che sporge dal piano del bordo della cuffia di protezione non può essere schermato sufficientemente.**
- c) **Fissare il riparo all'elettrotutensile in maniera affidabile e posizionarlo in modo che possa provvedere la massima sicurezza, cioè che la minore possibile parte della mola sia aperta all'operatore. Il riparo deve proteggere l'operatore da frammenti, da contatto fortuito con la mola e scintille, le quali potrebbero accendere gli indumenti.**

d) **Usare le mole soltanto per le applicazioni consigliate. Per esempio non smerigliare mai con la superficie laterale di un disco da taglio. I dischi da taglio sono disegnati ad asportare materiale con il bordo tagliente del disco. L'esercitazione di pressione laterale su un tale disco potrebbe romperlo.**

e) **Usare sempre flange di serraggio in buono stato, con dimensioni e forma adatte per il disco scelto. Le flange di serraggio selezionate bene serrano il disco e diminuiscono il pericolo che sia rotto. Le flange di serraggio per dischi da taglio possono differire dalle flange di serraggio per dischi di altri tipi.**

Istruzioni supplementari di sicurezza



AVVERTENZA: Prima di iniziare il lavoro assicurarsi sempre che il voltaggio della presa corrisponda a quello indicato sull'etichetta dell'utensile.

- Una fonte di corrente con voltaggio superiore a quello previsto per la macchina può causare danni all'utente e/o alla macchina stessa.
- Se in dubbio, non inserire la spina nella presa.
- Operare con un voltaggio inferiore rispetto a quello previsto potrebbe danneggiare il motore della macchina.



Indossare occhiali da lavoro, cuffie antirumore e mascherina antipolvere. La polvere generata durante il lavoro con la macchina potrebbe provocare seri danni alla salute.

- **Al lavoro in un ambiente polveroso mantenere puliti i fori di ventilazione della macchina. Se devono essere puliti dalla polvere, disinserire prima l'alimentazione elettrica e usare oggetti non metallici per pulire la polvere, stando attenti di non danneggiare i pezzi interni della macchina. L'elettrotutensile sarà sovra riscaldato con raffreddamento diminuito a causa dei fori di ventilazione impolverati.**
- **Quando si eseguono lavori in cui vi è pericolo che l'accessorio impiegato possa arrivare a toccare cavi elettrici nascosti oppure anche il cavo elettrico della macchina stessa, tenere l'elettrotutensile afferrandolo sempre alle superfici di impugnatura isolate. Un contatto con un cavo elettrico mette sotto tensione anche le parti in metallo dell'elettrotutensile e provoca quindi una scossa elettrica.**
- **Prima di sostituire qualsiasi accessorio o eseguire operazioni di manutenzione accertarsi sempre che l'utensile sia spento e la spina staccata dalla presa di corrente.**
- Le parti metalliche esterne così come le viti possono surriscaldarsi dopo un uso intensivo della macchina.
- Se possibile fissare sempre il pezzo da lavorare con morsetti o con una morsa a vite.
- Poggiare la macchina solo a disco completamente fermo.
- Non sovraccaricare la macchina, operare una pressione moderata. Una pressione eccessiva genera un sovraccarico e quindi una riduzione della velocità, causando possibili danni al motore.



- Non lasciare stracci, panni, corde, spaghi e simili nell'area di lavoro.
- Rimuovere eventuali viti, chiodi etc. dal pezzo da lavorare.
- Prima di iniziare il lavoro lasciare girare la macchina a vuoto per qualche minuto. Tenere la macchina ad almeno 200 mm di distanza dal proprio corpo e dal viso.
- Si consiglia di afferrare l'utensile con entrambe le mani e di assumere una stabile posizione operativa, ciò consente di guidare l'utensile con maggiore sicurezza.
- Tenere mani e parti del corpo lontane dal raggio d'azione delle parti rotanti. Non toccare il pezzo appena lavorato in quanto potrebbe essere incandescente
- Non utilizzare la macchina per scopi diversi da quelli indicati in queste istruzioni. L'uso per qualsiasi altra finalità sarà considerato uso improprio. In tal caso sarà l'utente e non l'azienda produttrice ritenuto responsabile di eventuali danni o lesioni.
- Per un utilizzo corretto di questo elettrotensile è necessario osservare le avvertenze di sicurezza, le norme supplementari e le istruzioni d'uso fornite in questo opuscolo. Tutti gli utenti della macchina devono aver letto queste istruzioni e devono essere a conoscenza degli eventuali rischi. Bambini e persone di corporatura debole non devono maneggiare l'utensile. Bambini nelle vicinanze dell'area di lavoro devono essere tenuti sotto stretto controllo. È assolutamente necessario attenersi alle disposizioni di prevenzione dagli infortuni, così come alle norme di sicurezza sul lavoro vigenti nella sua area.
- L'azienda produttrice non è responsabile per eventuali modifiche apportate all'utensile da parte dell'utente o per danni causati da tali modifiche.

Anche con un uso corretto della macchina i fattori di rischio residui non possono essere completamente eliminate. I seguenti pericoli possono sorgere a seconda della costruzione e del design della macchina:

- danni all'udito se non si indossano cuffie antirumore
- danni a parti del corpo se si effettuano riparazioni o lavori di manutenzione senza staccare la spina dalla presa di corrente
- scosse o folgorazioni se la macchina viene utilizzata in ambienti umidi o in vicinanza di sostanze infiammabili.

Elementi della macchina

Prima di utilizzare la macchina è bene conoscere le sue particolarità e le avvertenze di sicurezza.

Usare l'utensile e gli accessori solo per gli scopi indicati in queste istruzioni. L'uso per qualsiasi altra finalità è severamente vietato.

1. Albero
2. Cuffia di protezione
3. Rondella distanziale
4. Mola a tazza diamantata
5. Rondella di supporto
6. Flangia
7. Interruttore ON/OFF
8. Pulsante di blocco del mandrino per sostituzione rapida del disco
9. Spazzola della cuffia
10. Vite di fissaggio
11. Impugnatura a staffa

12. Chiave

13. Vite

Uso della macchina

Questa levigatrice è azionata da corrente alternata monofase. Dispone di un doppio isolamento in conformità alle norme EN 60745-1 e IEC 60745 e può essere collegato a prese di corrente con o senza messa a terra. È inoltre conforme alla normativa europea sulla schermatura.

Questo elettrotensile è indicato per la sgrossatura e la levigatura di superfici in cemento o pietra, in preparazione all'intonacatura e alla rivestitura. La macchina non è prevista per l'uso con acqua o liquidi.

PRIMA DELLA MESSA IN FUNZIONE

Prima dell'uso accertarsi di quanto segue:

- che la tensione di alimentazione corrisponda ai valori indicati sulla targhetta dell'utensile.
- che l'interruttore ON/OFF non sia premuto. La lucidatrice deve essere collegata all'alimentazione elettrica solo se l'interruttore non è premuto.
- che il cavo elettrico e la spina siano in perfetto stato. Per motivi di sicurezza i cavi elettrici danneggiati devono essere sostituiti solo dall'azienda produttrice o dai centri di servizio autorizzati SPARKY.



ATTENZIONE: Prima di sostituire qualsiasi accessorio o eseguire operazioni di manutenzione accertarsi sempre che l'utensile sia spento e la spina staccata dalla presa di corrente.

- Utilizzando mole da taglio diamantate, accertarsi che la freccia indicante il senso di rotazione applicata sulla mola da taglio diamantata corrisponda al senso di rotazione dell'elettrotensile (vedere freccia indicante il senso di rotazione applicata sulla testata ingranaggi).
- Utilizzare sempre l'impugnatura supplementare ed afferrare l'utensile con entrambe le mani per un maggiore controllo della macchina in caso di reazioni della coppia o di contraccolpo alla partenza. (Fig. 1)

ACCENSIONE/SPEGNIMENTO

Prima di inserire la spina nella presa accertarsi che l'interruttore (7) si inserisca correttamente e che ritorni in posizione "OFF" quando rilasciato.

- 1.. Accensione: far scorrere la guida dell'interruttore ON/OFF (7) in avanti finché la sua parte anteriore affonda. (Fig. 2)
2. Spegnimento: Premere la parte posteriore sollevata dell'interruttore ON/OFF (7) e lasciarlo ritornare da solo al punto di partenza. (Fig. 3)

COMPONENTE ELETTRONICA

Questo elettrotensile è previsto di un dispositivo elettronico che garantisce:

- Protezione contro l'avviamento accidentale: in caso di sovraccarichi o di disconnessione dalla presa di corrente per più di 0.5 s la macchina si ferma e rimane



spenta fino a quando l'interruttore ON/OFF non viene prima rilasciato e poi premuto di nuovo;

- Avviamento dolce e limitazione di spunto alla partenza, che assicura una partenza senza scatti e previene fluttuazioni di corrente;
- Elettronica costante anche sotto carico;
- Protezione da brevi sovraccarichi: a forti sovraccarichi di breve durata si mette in azione una frizione che riduce rapidamente il numero di giri (per riprendere il lavoro allontanare prima la macchina dal materiale e lasciare che la velocità aumenti);
- Protezione contro surriscaldamento termico: a brevi ma costanti sovraccarichi entra in funzione il sistema di protezione del motore da surriscaldamento termico, che spegne la macchina prima che la temperatura raggiunga i valori pericolosi, portando la macchina dalla modalità operativa a quella stand-by di sicurezza. Nella modalità stand-by di sicurezza il motore gira a velocità bassa per accelerare il raffreddamento, ma la macchina non funziona. Dopo 3-5 minuti la macchina è fredda e può essere avviata di nuovo. Per riavviarla disattivare e premere nuovamente l'interruttore ON/OFF (7).

CUFFIA DI PROTEZIONE

Operare la macchina sempre con la cuffia di protezione (2) montata.

MONTAGGIO E CAMBIO DELLA MOLA DIAMANTATA

Assicurarsi che il diametro e lo spessore della mola non siano superiori a quelli indicati nella tabella delle caratteristiche tecniche. La velocità massima della mola è indicata sulla mola stessa.

Bloccare l'alberino (1) premendo l'apposito pulsante (8) situato sulla cassa ingranaggi.



ATTENZIONE: Premere il pulsante (8) solo a macchina completamente ferma!

Tenendo il pulsante (8) premuto fare ruotare l'alberino (1) fino a quando questo non sprofondi. Allentare la flangia (6) con una chiave piatta (12).

È possibile regolare la profondità della mola nella cuffia a seconda del livello di usura della mola stessa e per ottimizzare l'aspirazione della polvere.

Se si monta una mola nuova posizionare i componenti nel seguente ordine: rondella distanziale (3), mola (4), flangia (6) con la parte piatta rivolta verso la mola (vedi Fig. 4).



ATTENZIONE: Se in questo caso si pone la flangia (6) con la parte convessa rivolta verso la mola sarà impossibile fissare la mola stessa.

Se la mola è già molto consumata si consiglia di montare i componenti come segue: rondella di supporto (5), mola (4), flangia (6) con la sua parte convessa rivolta verso la mola (vedi Fig. 5).



ATTENZIONE: Se in questo caso si pone la flangia con la parte piatta rivolta verso la mola sarà compromesso il centraggio della mola stessa, portandola a vibrare eccessivamente e causando così danni a persone e/o cose.



ATTENZIONE: Dopo aver sostituito la mola lasciare funzionare la macchina a vuoto per almeno 30 secondi. Mole che vibrano o girano in modo irregolare devono essere subito sostituite.

Durante il cambio della mola sostituire se necessario anche la spazzola della cuffia.

CAMBIO DELLA SPAZZOLA DELLA CUFFIA

La spazzola (9) assicura un ridotto rilascio verso l'esterno della polvere generatasi durante il lavoro e si consuma generalmente in concomitanza con l'usura della mola. Durante il cambio della mola sostituire se necessario anche la spazzola della cuffia. Allentare la vite di fissaggio (10), sostituire la spazzola assicurandosi che il bordo sia a contatto con quello della cuffia (2) e stringere la vite (10).

IMPUGNATURA A STAFFA

L'impugnatura a staffa (11) viene fissata alla cassa ingranaggi mediante due viti laterali. Usare sempre la macchina con l'impugnatura montata e tenere la macchina saldamente con entrambe le mani (Fig. 1)

ASPIRAZIONE DELLA POLVERE

È severamente vietato l'uso di questa macchina senza un dispositivo di aspirazione. Inoltre si consiglia l'uso di una mascherina antipolvere. Assicurarsi che l'aspirapolvere in uso sia previsto per l'aspirazione di polvere da cemento e intonaco. Collegare l'aspirapolvere alla macchina mediante l'apposito raccordo.

Si consiglia l'uso di un aspirapolvere con i seguenti valori minimi: flusso d'aria 60 l/se depressione 180 mbar.

ACCESSORI UTILIZZABILI CON QUESTA MACCHINA

Mola a tazza diamantata Ø125xØ22.23x22 mm

ATTENZIONE! Si consiglia l'uso dei soli accessori indicate in questo manuale. L'uso di altri accessori potrebbe comportare gravi danni a persone e/o cose. Usare gli accessori solo per lo scopo previsto. In caso di assistenza rivolgersi ad un centro autorizzato SPARKY.

Manutenzione



AVVERTENZA: Accertarsi che l'utensile sia spento e che la spina sia disinserita prima di effettuare qualsiasi controllo di manutenzione.

CAMBIO DELLE SPAZZOLE

Questo utensile è fornito con spazzole autofrenanti. Quando queste si esauriscono, la macchina smette di funzionare. In tal caso far sostituire entrambe le spazzole in un centro autorizzato SPARKY utilizzando parti originali.

CONTROLLI PERIODICI GENERALI

Controllare regolarmente che tutte le viti siano propriamente fissate. Dopo un uso prolungato potrebbero infatti allentarsi a causa delle vibrazioni.

Se le viti (13) si allentano, esse vanno strette saldamente, e prima dell'avvitamento si deve applicare sulla filettatura di ogni vite (13) sigillante per filettature.

In caso sia necessario cambiare il cavo, recarsi ad un centro assistenza SPARKY.

PULIZIA

Per poter garantire buone e sicure operazioni di lavoro, tenere la macchina e le aperture di ventilazione sempre pulite.

Verificare regolarmente che polvere o altri corpi estranei non siano penetrati nelle aperture di ventilazione o attorno agli interruttori. Utilizzare uno spazzolino morbido per rimuovere la polvere depositatasi. Proteggere gli occhi durante la pulizia indossando occhiali da lavoro.

Per pulire la macchina utilizzare un panno umido. È possibile utilizzare un leggero detersivo.



AVVERTENZA: Non utilizzare alcohol, benzina o altri solventi. È sconsigliato l'uso di detersivi aggressivi per la pulizia delle parti in plastica.



AVVERTENZA: Evitare il contatto della macchina con l'acqua.

IMPORTANTE! Per garantire la sicurezza e l'affidabilità dell'utensile, riparature, lavori di manutenzione ed altre regolazioni (incluso il controllo e l'eventuale sostituzione delle spazzole) devono essere effettuate da centri di assistenza SPARKY autorizzati, dove vengono adoperate solo parti originali.

Garanzia

Il periodo di garanzia per gli utensili SPARKY ha validità a partire dalla data di acquisto ed è conforme alle normative europee.

Non sono coperti da garanzia danni derivanti da usura, sovraccarico o uso improprio.

L'azienda produttrice assicura la sostituzione di tutte le parti non funzionanti in cui si riconoscano difetti di materiale e/o di lavorazione.

Le prestazioni di garanzia saranno erogate solo se la macchina richiesta sarà inviata in condizioni integre al rivenditore o ad un centro di assistenza, accompagnata dallo scontrino fiscale.

Ulteriori informazioni

Leggere attentamente tutte le istruzioni sull'uso prima di adoperare questo prodotto.

L'azienda produttrice si riserva il diritto di apportare modifiche tecniche senza preavviso.

Le specifiche tecniche possono variare da paese a paese.

Contenido

Introducción	39
Datos técnicos	41
Advertencias generales de seguridad de la herramienta	42
Instrucciones adicionales de seguridad al operar con lijadora de hormigón.....	43
Componentes principales de la herramienta eléctrica	45
Instrucciones para la operación	45
Mantenimiento	47
Garantía.....	48

DESEMBALAJE

Debido a la moderna tecnología de producción en masa, es poco probable que su herramienta sea defectuosa o que falte una pieza. Si encuentra algo mal, no trabaje con la herramienta hasta que se haya puesto la pieza o se haya arreglado la avería. El incumplimiento de esta indicación puede provocar un grave daño personal.

ENSAMBLAJE

La máquina para esmerilar hormigón, envasada en un maletín metálico, se suministra completamente ensamblada, lista para operar.

La máquina para esmerilar hormigón, envasada en un maletín de plástico, se suministra ensamblada, habiéndose colocado el asidero adicional, pero sin atiesarse. Coloque el asidero adicional en la posición que Ud. desea y atíesela con la llave de tuercas incluida en el kit.

Introducción

Su nueva herramienta SPARKY satisfará totalmente sus expectativas. Ha sido fabricada conforme a las exigentes Normas de calidad de SPARKY para cumplir los más elevados requisitos de funcionamiento. Su nueva herramienta es fácil y segura de manejar y, con el debido cuidado, le dará muchos años de servicio fiable.



AVISO!

Lea detenidamente todo el Manual de instrucciones antes de usar su nueva herramienta SPARKY. Preste especial atención a los **Avisos**. Su herramienta SPARKY tiene muchas funciones que harán más rápido y seguro su trabajo. La seguridad, el funcionamiento y la fiabilidad son las mayores prioridades del desarrollo de esta herramienta, lo que la hace fácil de mantener y manejar.



No tire los productos eléctricos a la basura!

Los productos eléctricos no se deben tirar a la basura. Por favor recícelos en el lugar adecuado. Póngase en contacto con su ayuntamiento o con una empresa de reciclaje.



PROTECCIÓN MEDIOAMBIENTAL

El aparato, sus accesorios y embalaje deberán separarse para reciclarse cada uno por su lado. Los componentes de plástico llevan una etiqueta del tipo de reciclado.

DESCRIPCIÓN DE LOS SÍMBOLOS

La placa de su herramienta puede contener símbolos, que representan información importante sobre el producto o instrucciones de uso.



Doble aislamiento de protección adicional



Rosca de unión del husillo: M14



Conformidad con las directrices europeas aplicables



Compatible con los requisitos de los documentos normativos ucranianos



Cumple con las regulaciones de la Unión Aduanera



Conozca las instrucciones de explotación


YYYY-Www

Período de producción en que los símbolos variables son:
YYYY - año de producción, ww – semana natural consecutiva

FB

FRESADORA PARA HORMIGÓN

Datos técnicos

Modelo:	FB 514
▪ Potencia consumida	1400 W
▪ Velocidad nominal	10500 min ⁻¹
▪ Rosca de unión del husillo	M14
▪ Longitud de la rosca del husillo	20 mm
▪ Diámetro de unión del disco fresador	Ø22,23 mm
▪ Diámetro máximo del disco fresador	Ø125 mm
▪ Grosor máximo del disco fresador nuevo	22 mm
▪ Diámetro de la abertura de unión para conectar la evacuación del polvo	Ø35 mm
▪ Gálibos:	
longitud	325 mm
anchura	190 mm
altura	200 mm
▪ Peso (EPTA Procedimiento 01/2014)	3,1 kg
▪ Clase de protección (EN 60745-1) 	II

INFORMACIÓN SOBRE EL RUIDO Y LAS VIBRACIONES

Los valores se han determinado según la norma EN 60745.

Emisión de ruido

A-nivel medido de presión sonora L _{pA}	90 dB (A)
Indeterminación K _{pA}	3 dB (A)
A-nivel medido de potencia sonora L _{WA}	101 dB (A)
Indeterminación K _{WA}	3 dB (A)

¡Utilice medios de protección contra el ruido!

Emisión de vibraciones *

Valor total de las vibraciones (suma vectorial de tres direcciones) determinado según la norma EN 60745:

Fresado de hormigón

Valor de las vibraciones emitidas ah	5,8 m/s ²
Indeterminación K	1,5 m/s ²

* Las vibraciones se han determinado según el apartado 6.2.7 de la norma EN 60745-1.

El nivel de emisión indicado en la presente información ha sido medido de acuerdo con un ensayo estandarizado recogido en EN 60745 y puede usarse para comparar una herramienta con otra. Puede utilizarse para un informe preliminar de exposición.

El nivel de emisión de vibraciones declarado se aplica a las principales aplicaciones de la herramienta. De todos modos, si la herramienta se utiliza para aplicaciones diferentes, con accesorios diferentes o pobremente mantenida, la emisión de vibraciones puede variar. Esto puede aumentar significativamente el nivel de exposición durante el tiempo total de trabajo.

Una estimación del nivel de exposición a la vibración también debería tener en cuenta el tiempo en que la máquina está apagada o cuando está en marcha, pero no trabajando. Esto puede reducir de forma importante el nivel de exposición durante el tiempo total de trabajo.

Mantenga la herramienta, los accesorios y sus propias manos calientes mientras trabaje con el taladro, con el fin de reducir el doloroso efecto de las vibraciones.

Polvos de materiales como por ejemplo pinturas que contienen plomo, ciertos tipos de madera, minerales y meta II pueden ser nocivos para la salud. El contacto o la inhalación de los polvos puede provocar reacciones alérgicas y/o problemas de respiración del usuario o personas que se encuentren en su cercanía.

Ciertos polvos como polvo de roble o encina se consideran cancerígenos, especialmente en combinación con aditivos para el tratamiento de madera (cromato, agentes de protección de madera). Materiales con asbesto solamente deben ser tratados por personas especializadas.

- Si posible, utilice un dispositivo de aspiración de polvo.
- Para obtener un alto grado de colección de polvo durante el trabajo con esta herramienta eléctrica use una aspiradora adecuada para polvo de madera y polvo mineral.
- Mantenga bien ventilado el lugar de trabajo.
- Se recomienda llevar una máscara de protección de polvo con clase de filtro P2.

Respete los reglamentos vigentes en su país para los materiales a tratar.

Advertencias generales de seguridad de la herramienta

⚠ AVISO! Lea todos los avisos de seguridad y todas las instrucciones. El hecho de no seguir los avisos e instrucciones puede provocar una descarga eléctrica, fuego y/o un daño grave.

Guarde en lugar seguro todos los avisos e instrucciones para futuras consultas.

El término "herramienta" de los avisos se refiere a su herramienta eléctrica con cable o a batería.

1. SEGURIDAD DE LA ZONA DE TRABAJO

- Mantenga limpia y bien iluminada su zona de trabajo. Las zonas sucias u oscuras pueden provocar accidentes.
- No trabaje con la herramienta en ambientes explosivos, como en presencia de líquidos inflamables, gases o polvo. Las herramientas producen chispas que pueden provocar la ignición del polvo o de los gases.
- Las distracciones pueden provocar pérdidas de control.

2. SEGURIDAD ELÉCTRICA

- Los enchufes de la herramienta tienen que coincidir con la toma de corriente. No utilice adaptadores con herramientas en contacto con el suelo (enterradas). Los enchufes y tomas sin modificar reducirán el riesgo de descarga eléctrica.
- Evite el contacto corporal con superficies con contacto a tierra, como tuberías, radiadores, cocinas y frigoríficos. Hay un aumento del riesgo de descarga eléctrica si su cuerpo está en contacto con el suelo o enterrado.
- No exponga las herramientas a la lluvia o a la humedad. Si entra agua en la herramienta se aumentará el riesgo de descarga.
- No haga un uso indebido del cable. No utilice nunca el cable para llevar, tirar de o desconectar la herramienta. Mantenga el cable lejos del calor, de aceites, bordes afilados o piezas sueltas. Los cables dañados o enredados aumentan el riesgo de descarga eléctrica.
- Cuando trabaje con la herramienta al aire libre, utilice una alargadera apropiada para uso al aire libre. Utilizar un cable para exteriores reduce el riesgo de descarga eléctrica.
- Si es inevitable trabajar con la herramienta en un sitio húmedo, utilice un dispositivo de corriente residual (RCD) protegido. Utilizar un RCD reduce el riesgo de descarga eléctrica.

3. SEGURIDAD PERSONAL

- Permanezca atento a lo que está haciendo y haga caso del sentido común cuando trabaje

con una herramienta. No utilice la herramienta cuando esté cansado o bajo la influencia de las drogas, el alcohol o de medicación. Una pequeña falta de atención cuando se está trabajando con herramientas puede provocar un grave daño personal.

- Utilice equipos de protección personal. Lleve siempre un protector para los ojos. El equipamiento de protección, como mascarilla, zapatos de seguridad antideslizantes, casco o protección para los oídos, utilizado correctamente, reducirá los daños personales.
- Evite el arranque accidental. Al coger o llevar la herramienta, asegúrese de que el interruptor esté en la posición de apagado antes de conectar la herramienta a la red eléctrica o de poner la batería. Llevar las herramientas con el dedo en el interruptor o activar las herramientas con el interruptor encendido puede provocar accidentes.
- Retire las llaves de ajuste antes de encender la herramienta. Dejar una llave cerca de una pieza rotatoria de la herramienta puede provocar un daño personal.
- No se precipite. Mantenga los pies y la posición correcta en todo momento. Esto posibilita un mejor control de la herramienta en situaciones inesperadas.
- Lleve la ropa apropiada. No lleve ropa suelta o joyas. Mantenga el cabello, la ropa y los guantes lejos de piezas móviles. La ropa suelta, las joyas o el pelo largo pueden resultar atrapados por piezas móviles.
- Si las herramientas están equipadas para conectar el extractor de polvo y dispositivos de recoger el polvo, asegúrese de que estén conectados y se usen correctamente. El uso del dispositivo de recogida de polvo puede reducir el riesgo ocasionado por el mismo.

4. USO Y CUIDADO DE LA HERRAMIENTA

- No fuerce la herramienta. Utilice la herramienta adecuado para cada aplicación. La herramienta correcta hará mejor y más seguro el trabajo para el que fue diseñada.
- No utilice la herramienta si el interruptor no la enciende y apaga. Toda herramienta que no pueda controlarse con el interruptor es peligrosa y deberá ser reparada.
- Desconecte el enchufe de la toma de corriente y/o la batería de la herramienta antes de hacer cualquier ajuste, cambio de accesorios o guardar las herramientas. Tales medidas preventivas de seguridad reducen el riesgo de encenderse accidentalmente la herramienta.
- Mantenga las herramientas que no utilice fuera del alcance de los niños y no permita manejar la herramienta a personas que no estén familiarizadas con la herramienta, o que no conozcan las instrucciones. Las herramientas son peligrosas en manos de personas no familiarizadas con su uso.
- Teniendo en cuenta las condiciones de trabajo

y el trabajo a realizar. Utilizar la herramienta para acciones diferentes a las de su uso prescrito puede provocar situaciones peligrosas.

5. SERVICIO TÉCNICO

- a) Encargue el mantenimiento de su herramienta a una persona cualificada y utilice siempre recambios originales. Esto garantizará que se mantenga la seguridad de la herramienta.

Instrucciones adicionales de seguridad al operar con lijadora de hormigón

Instrucciones generales de seguridad al esmerilar:

- a) Esta herramienta eléctrica puede utilizarse como esmeriladora. Lea todas las instrucciones de seguridad, las recomendaciones, las imágenes y los datos que se han obtenido con la esmeriladora. Si no se respetan las instrucciones de seguridad, pueden surgir daños de corriente eléctrica, incendio y/o lesiones graves.
- b) Esta herramienta eléctrica no es apropiada para lijar, pulir o tronzar, ni para trabajar con cepillos de alambre. La utilización de la herramienta eléctrica en trabajos para los que no ha sido prevista puede provocar un accidente.
- c) No utilice accesorios que no hayan sido autorizados ni recomendados especialmente por el fabricante para esta herramienta eléctrica. El hecho de que se pueda fijar un accesorio a su herramienta eléctrica no garantiza un uso seguro.
- d) Las revoluciones nominales del accesorio deben ser, como mínimo, iguales a las revoluciones máximas indicadas en la herramienta eléctrica. Los accesorios que giren a una velocidad más alta que su velocidad nominal podrán romperse y sus pedazos podrán llegar a dispersarse.
- e) El diámetro externo y el grosor de la herramienta de trabajo deben ser en los límites de las dimensiones indicadas en su herramienta eléctrica. Los accesorios cuyas dimensiones son inapropiadas no pueden protegerse o manejarse correctamente.
- f) Los útiles de fijación a rosca deberán ajustar exactamente en la rosca del husillo. En los útiles de fijación por brida su diámetro de encaje deberá ser compatible con el de alojamiento en la brida. Los útiles que no vayan fijados exactamente sobre la herramienta eléctrica giran descentrados, vibran mucho, y pueden hacerle perder el control sobre el aparato.
- g) No utilice accesorios dañados. Revise los accesorios antes de cualquier uso: que los discos abrasivos no se hayan desdentado ni tengan fisuras; que los discos elásticos no tengan fisuras, roturas ni se hayan desgastado mucho; que los cepillos de alambre no se hayan aflojado ni tengan hilos quebrados. Si la herramienta eléctrica o el accesorio se dejan

caer, cerciórese de que no se hayan dañado o monte un accesorio en buen estado. Después de que el accesorio haya sido revisado y montado, sitúese junto con las personas extrañas fuera del área de rotación del accesorio y deje que la herramienta eléctrica funcione a revoluciones máximas en marcha en vacío durante un minuto. Generalmente, este tiempo es suficiente para que los accesorios dañados se rompan.

- h) Lleve medios de protección personal. Según el caso concreto, utilice una pantalla para la protección del rostro o gafas protectoras. Si es necesario, utilice una mascarilla antipolvo, medios de protección del oído, un guante de protección o delantal especial que retenga las pequeñas partículas del accesorio esmerilador o de la pieza en procesamiento. Los medios para la protección de los ojos deben proteger de las partículas volantes que surgen de diversas operaciones. Las mascarillas antipolvo y de protección de gases deben filtrar las partículas que se hayan desprendido durante la operación. La exposición continua a fuertes ruidos puede ocasionar pérdida de la audición.
- i) Mantenga a las personas extrañas a una distancia segura de la zona de operación. Toda persona que se encuentre en la zona de operación debe llevar medios de protección personales. Es posible que las partículas volantes desprendidas de la pieza en procesamiento o de un accesorio roto provoquen también lesiones fuera de los límites de la zona de operación inmediata.
- j) Sujete la herramienta eléctrica solamente por las superficies de sujeción aisladas cuando realice una operación en la que el accesorio cortante pueda rozar con una instalación eléctrica oculta. El roce de un accesorio cortante con un cable bajo tensión pondrá a las piezas metálicas de la herramienta eléctrica que están al descubierto bajo tensión y el operador podrá sufrir una electrocución.
- k) Mantenga el cable de alimentación fuera del alcance de funcionamiento del accesorio rotatorio. Si se pierde el control sobre la herramienta eléctrica, el cable de alimentación podrá cortarse o arrastrar su palma o su mano hacia el área de funcionamiento de la herramienta rotatoria.
- l) No deje nunca la herramienta eléctrica antes de que el accesorio haya dejado de girar completamente. El accesorio rotatorio puede engancharse al material en procesamiento y ocasionar la pérdida de control sobre la herramienta eléctrica.
- m) No deje que la herramienta eléctrica funcione mientras la esté llevando. El roce casual del accesorio rotatorio con su vestimenta puede engancharla y lesionar su cuerpo.
- n) Limpie regularmente los orificios de ventilación de la herramienta eléctrica. El ventilador del motor eléctrico aspira polvo hacia el cuerpo y la acumulación excesiva de polvo de metal puede provocar el peligro de que se produzca daño de corriente eléctrica.
- o) No utilice la herramienta eléctrica cerca de

materiales combustibles. Las chispas pueden incendiar estos materiales.

- p) **No utilice accesorios cuyo trabajo requiera medios de refrigeración líquidos. El uso del agua o de otros medios de refrigeración líquidos puede conducir a daños de corriente eléctrica o electrocución.**

Otras instrucciones de seguridad para todas las operaciones

Rebote (golpe inverso) e instrucciones de seguridad relativas a éste

El rebote es la reacción súbita como consecuencia del acuñaamiento o el bloqueo de un accesorio, por ejemplo, del disco esmerilador, del disco elástico, del cepillo de alambre, etc. El acuñaamiento o el bloqueo conducen a la detención súbita de la rotación del accesorio que, por su parte, expulsa la herramienta eléctrica incontrolable en el sentido opuesto al sentido de rotación de la herramienta de trabajo en el punto de acuñaamiento.

Por ejemplo, si el disco esmerilador se acuña o bloquea en la pieza, el borde del disco esmerilador que se ha introducido en esta pieza quedará encallado y como consecuencia de ello el disco puede romperse o provocar rebote. El disco esmerilador rebota hacia el operador o desde él, según el sentido de rotación del disco en el lugar del bloqueo. En estas circunstancias, los discos esmeriladores pueden romperse.

El rebote es el resultado del uso y/o la explotación incorrectos o de las condiciones de trabajo con la herramienta eléctrica y puede evitarse al aplicar las medidas de protección que se describen a continuación.

- a) **Sostenga fuertemente la herramienta eléctrica, ocupe una posición adecuada con el cuerpo y coloque sus manos de modo que pueda dominar la fuerza del rebote. Utilice siempre el asidero adicional si la herramienta eléctrica está provista de éste para tener el máximo de control posible sobre la fuerza del rebote o del momento reactivo al ponerla en funcionamiento. Mediante las medidas de protección apropiadas, el operario podrá dominar el momento reactivo y el rebote.**
- b) **No ponga nunca sus manos cerca de un accesorio rotatorio. El accesorio puede rebotar sobre su mano.**
- c) **No se sitúe en el área donde la herramienta eléctrica puede avanzar en caso de rebote. El rebote acciona la herramienta eléctrica en el sentido opuesto al movimiento del disco esmerilador, es decir, en el lugar de bloqueo.**
- d) **Opere con mayor atención cuando esté procesando ángulos, bordes agudos, etc. No permita que el accesorio rebote o que bloquee en la pieza. Al procesar ángulos y bordes agudos, es posible que el accesorio rotatorio se acuña, con lo cual se podrá causar pérdida de control o rebote.**
- e) **No utilice discos de cadena o discos de sierra para procesar madera. Estos accesorios provocan con frecuencia rebote o pérdida de control sobre la herramienta eléctrica.**
- **Fije la pieza en procesamiento en unas mordazas o de otra forma apropiada.**

Instrucciones específicas de seguridad al esmerilar

- a) **Utilice solamente los tipos de discos recomendados para la herramienta eléctrica que dispongan de un dispositivo de seguridad previsto para ellos. Los discos para los que esta herramienta eléctrica no haya sido diseñada no se pueden proteger adecuadamente y son inseguros.**
- b) **Los discos de amolar con centro deprimido deberán montarse de manera que la cara de amolado no alcance a sobresalir del reborde de la caperuza de protección. Un disco de amolar incorrectamente montado cuya cara frontal rebase el reborde de la caperuza de protección no puede ser convenientemente protegido.**
- c) **El dispositivo de seguridad debe fijarse de forma fiable a la herramienta eléctrica y debe estar dispuesto de modo que garantice la seguridad máxima, es decir, que una parte mínima del disco se encuentre al descubierto dirigida hacia el operador. El dispositivo de seguridad debe proteger al operador de los cascajos del contacto fortuito con el disco y de las chispas que pueden incendiar su vestimenta.**
- d) **Los discos deben usarse únicamente para las aplicaciones recomendadas. Por ejemplo, no esmerile nunca con la superficie lateral del disco cortante. Los discos cortantes están destinados a desprender material con el borde del disco. Si se ejerce presión lateral sobre el disco, éste podrá romperse.**
- e) **Utilice siempre bridas de apriete en buen estado cuya forma y dimensiones sean apropiadas para el disco elegido. Las bridas de apriete que hayan sido escogidas correctamente fijarán el disco y reducirán el peligro de romperse. Las bridas de apriete para discos cortantes podrán diferir de las bridas de apriete destinadas a otro tipo de discos.**

Instrucciones adicionales de seguridad



ADVERTENCIA: Antes de conectar la herramienta eléctrica a la red de alimentación, cerciúrese de que el voltaje de alimentación corresponde al indicado en la placa de datos técnicos de la herramienta eléctrica.

- Una fuente de alimentación con voltaje superior al indicado para la herramienta eléctrica puede provocar tanto un daño grave de corriente eléctrica al operador, como también una avería en la herramienta eléctrica.
- Si tiene algunas vacilaciones, no conecte el enchufe de la herramienta eléctrica a la caja de contacto.
- El uso de una fuente de alimentación con voltaje inferior al indicado sobre la placa de la herramienta eléctrica dañará el motor eléctrico.



Lleve siempre gafas de protección y antifonos. Utilice una careta de protección antipolvo. El polvo y las partículas abrasivas que se desprenden durante la operación pueden perjudicar gravemente su salud.

- **Si se opera en un ambiente empolvado, los ori-**

ficios de ventilación de la máquina deben mantenerse limpios. Si deben limpiarse del polvo, desconecte primero la alimentación, utilizando objetos no metálicos para quitar el polvo y procurando que no se dañen las piezas internas de la máquina. La herramienta eléctrica se sobrecalentará cuando la refrigeración disminuya como consecuencia de que los orificios de ventilación estaban empujados.

- **Sujete la herramienta eléctrica solamente por las superficies de sujeción aisladas cuando realice una operación, en la cual el accesorio cortante puede entrar en contacto con una instalación eléctrica oculta o con su propio cable. El contacto del accesorio cortante con un hilo conductor bajo tensión pondrá bajo tensión las piezas metálicas de la herramienta eléctrica que están al descubierto, y el operador sufrirá electrocución.**
- **Desconecte siempre la herramienta eléctrica y saque el enchufe de la toma de corriente antes de efectuar cualquier ajuste, servicio o mantenimiento.**
- Después de una operación continua, las partes metálicas externas y los accesorios pueden estar calientes.
- De ser posible, utilice siempre grapas o mordazas para fijar la pieza que se está procesando.
- Desconecte siempre la máquina antes de guardarla.
- No sobrecargue la máquina: opere con una presión moderada. La sobrecarga es el resultado de la aplicación de una presión excesiva, con lo cual el motor eléctrico retrasa su rotación, siendo ello una premisa de operación ineficaz y de posible daño del motor eléctrico de la máquina.
- En la zona de operación no debe haber trapos, cables, cordeles, etc.
- Retire previamente de la superficie que se está procesando todos los clavos, tornillos, etc.
- Antes de usar la herramienta eléctrica sobre una superficie concreta, conéctela y déjela en funcionamiento durante cierto tiempo. Durante la operación, la herramienta eléctrica debe encontrarse por lo menos a 200 mm de su rostro y de su cuerpo.
- Mantenga su cuerpo siempre en una posición estable. Cuando esté operando con la herramienta eléctrica en altura, cerciórese de que debajo de usted no haya nadie.
- Sujete fuertemente la herramienta eléctrica.
- Cuides sus manos de las partes rotatorias. No toque la herramienta eléctrica o la pieza que se está procesando inmediatamente después de la operación: éstas pueden estar sumamente calientes y provocar quemaduras en su piel.
- La herramienta eléctrica debe usarse solamente según el fin con el que ha sido concebida. Cualquier otro uso que difiera del que se describe en este manual se considerará uso incorrecto. La responsabilidad por cualquier avería o lesión derivadas del uso incorrecto será asumida por el usuario, y no por el fabricante.
- Para explotar correctamente esta herramienta eléctrica, deben cumplirse las normas de seguridad, las indicaciones de montaje y las instrucciones de explotación que se describen en este documento. Todas las personas que utilicen o presten servicio a esta

máquina deben conocer este manual de usuario y estar informadas acerca de los peligros posibles relacionados con esta herramienta eléctrica. Queda prohibido que los niños y las personas físicamente débiles operen con esta herramienta eléctrica. Los niños deben estar bajo vigilancia constante si se encuentran en la zona de operación. Es obligatorio cumplir las normas de operación segura vigentes en su país. Ello se refiere también a las normas básicas de salud profesional y técnica de seguridad.

- El fabricante no responde por ninguna de las modificaciones que hayan sido efectuadas en la herramienta eléctrica, ni por las averías que se derivan de ello.

Aun cuando la herramienta eléctrica se utilice según las prescripciones, no es posible eliminar todos los factores de riesgo remanentes. Pueden surgir los siguientes peligros relacionados con la construcción y el diseño de la herramienta eléctrica:

- Daños de la audición, si no se utilizan antifonos eficaces.
- Saque siempre el enchufe de la red de alimentación antes de efectuar cualquier ajuste o procedimiento de mantenimiento, incluido el cambio de los accesorios de operación.
- La herramienta eléctrica no debe utilizarse al aire libre cuando esté lloviendo, en un entorno húmedo (después de llover) o cerca de líquidos y gases fácilmente inflamables. El puesto de trabajo debe estar bien iluminado.

Componentes principales de la herramienta eléctrica

Antes de empezar a operar con la lijadora de hormigón, infórmese acerca de todas sus peculiaridades operativas y de las condiciones de seguridad.

Utilice la herramienta eléctrica y sus accesorios solamente según el fin con el que han sido concebidos. Queda terminantemente prohibida cualquier otra aplicación.

1. Husillo
2. Mecanismo de seguridad del disco
3. Arandela de apoyo
4. Disco fresador con segmentos adiamantados
5. Arandela de apoyo con cabeza recta
6. Tuerca de apriete
7. Interruptor
8. Botón para inmovilizar el husillo
9. Cepillo de guarnición
10. Grapa de sujeción
11. Asidero adicional
12. Llave especial
13. Tornillo

Instrucciones para la operación

Estas herramientas eléctricas se alimentan solamente mediante voltaje monofásico alterno. Poseen doble aislamiento, según las normas EN 60745-1 e IEC 60745,

y pueden conectarse a tomas de corriente sin bornes de protección. Las radiointerferencias corresponden a la Directiva de Compatibilidad Electromagnética.

Esta herramienta eléctrica está destinada a esmerilar, de forma basta y fina, hormigón y materiales rocosos con el propósito de limpiarlos antes de hacer enlucidos y revestimientos de protección. La máquina está destinada únicamente para esmerilar en seco.

ANTES DE EMPEZAR LA OPERACIÓN

- Revise si el voltaje de la red eléctrica corresponde al indicado sobre la placa de datos técnicos de la herramienta eléctrica.
- Revise la posición en la que se encuentra el interruptor. La herramienta eléctrica debe conectarse y desconectarse de la red de alimentación solamente cuando el interruptor esté desconectado.
- Cerciórese del buen estado del cable de alimentación y del enchufe. Si el cable de alimentación está dañado, su sustitución debe efectuarse por el fabricante o por un técnico de servicio suyo para evitar los peligros de la sustitución.



ADVERTENCIA: Desconecte siempre la herramienta eléctrica y saque el enchufe de la toma de corriente antes de efectuar cualquier ajuste, servicio o mantenimiento.

- Al montar discos tronzadores diamantados, observar que la flecha de dirección de éstos coincida con el sentido de giro de la herramienta eléctrica (ver flecha marcada en el cabezal del aparato).
- Utilice siempre el asidero adicional y sujete la máquina siempre con ambas manos para un control máximo del golpe contrario o de la reacción rotatoria al poner en marcha. (Fig. 1)

CONEXIÓN - DESCONEXIÓN

Antes de conectar la herramienta eléctrica a la red de alimentación, revise si el interruptor se acciona correctamente y si vuelve a la posición "Desconectado" cuando se libera.

1. Para accionar la herramienta eléctrica, el patín (7) se desplaza hacia adelante hasta que su parte anterior se hunda y se inmovilice. (Fig. 2)
2. Para desconectar la herramienta eléctrica, apriete la parte posterior levantada del patín (7) y déjelo que vuelva por sí solo hacia atrás, en la posición de salida. (Fig. 3)

MECANISMO ELECTRÓNICO

La herramienta eléctrica posee un mecanismo electrónico incorporado que realiza las siguientes funciones:

- Protección contra decaída del voltaje. En caso de que el voltaje de la red de alimentación se interrumpa por un período 0.5s, la herramienta dejará de funcionar aun cuando el interruptor esté inmovilizado en la posición de operación. Para recuperar el funcionamiento normal de la herramienta eléctrica, es necesario que el interruptor de arranque se desconecte, y, posteriormente, volver a conectarlo.
- Puesta en marcha cadenciosa y limitación de la corriente de arranque. Este arranque asegura la pue-

ta en marcha de la máquina sin impulso, evitando el surgimiento de fluctuaciones en el voltaje de la red de alimentación;

- Mantenimiento de revoluciones constantes en una gama de carga amplia;
- Protección contra sobrecargas de duración breve. En caso de sobrecargas grandes de corta duración, se accionará un acoplador eléctrico, que reducirá bruscamente las revoluciones de la herramienta eléctrica. Para recuperar la operación normal, retire la herramienta eléctrica del material.
- Protección térmica. En el caso de sobrecargas más pequeñas, pero duraderas, se accionará la protección térmica. Antes de alcanzar la temperatura crítica, la electrónica desconecta la máquina, y ésta pasa de un régimen de operación a un régimen de seguridad, con revoluciones reducidas del motor. La máquina se vuelve inoperativa. En régimen de protección, el motor gira a revoluciones reducidas para acelerar el enfriamiento, pero la máquina es INOPERATIVA. En 3-5 minutos, la máquina se enfría y vuelve a ser operativa. Para poner en régimen de funcionamiento, es necesario desconectar y volver a conectar el interruptor.

MECANISMO DE SEGURIDAD DEL DISCO

¡El mecanismo de seguridad (2) del disco debe estar montado siempre en la máquina!

MONTAJE, CAMBIO Y REGULACIÓN DE LA POSICIÓN DEL DISCO DE OPERACIÓN

Cerciórese de que el diámetro y el grosor del disco no superan los indicados en los datos técnicos. Las revoluciones máximas admitidas, indicadas sobre el disco, no deben ser inferiores a las revoluciones de la máquina en marcha en vacío.

El husillo (1) de la máquina esmeriladora se fija pulsando el botón (8), ubicado sobre la caja reductora.



ADVERTENCIA: El botón (8) no debe pulsarse mientras que el husillo esté girando.

Al haber sido pulsado el botón, el husillo gira hasta que el botón se hunda claramente. La tuerca (6) se desenrosca con la llave especial (12).

Debido al desgaste del disco y para alcanzar una operación óptima de evacuación del polvo, se ha previsto la posibilidad de regular la posición del disco.

Al sujetar un disco nuevo, ordene los elementos sobre el husillo de la máquina en el orden siguiente: arandela de apoyo (3); disco (4); tuerca de apriete (6) con la parte libre hacia el disco, como se indica en la Fig. 4.



ADVERTENCIA: Si la tuerca (6) se coloca con su parte convexa hacia el disco, ello conduce a la imposibilidad de apretar el disco de operación.

Cuando el disco haya sido desgastado a medias y más, ordene los elementos sobre el husillo de la máquina en el orden siguiente: arandela de apoyo con cabeza recta (5); disco (4); tuerca de apriete (6) con la parte convexa hacia el disco, como se indica en la Fig. 5.



ADVERTENCIA: Al colocar la tuerca (6) con la parte liberada hacia el disco, éste no podrá centrarse, y ello conducirá a grandes vibraciones, siendo una premisa de accidente.



ADVERTENCIA: Después de cambiar el disco, ponga la máquina en funcionamiento con el nuevo disco mínimo durante 30 segundos en marcha en vacío. Los discos vibratorios o los que giran de forma irregular deben sustituirse inmediatamente.

Al cambiar la posición del disco, si es necesario, regule la posición del cepillo de guarnición o cámbielo.

REGULACIÓN DE LA POSICIÓN (CAMBIO) DEL CEPILLO DE GUARNICIÓN

El cepillo (9) sirve para reducir al mínimo la expulsión de polvo en el entorno. El cepillo se desgasta junto con el desgaste del disco. Al colocar un disco nuevo, si es necesario, cambie también el cepillo de guarnición. Afloje el tornillo de la grapa (10) y retire el cepillo anterior. Coloque el cepillo nuevo, debiendo el borde del mecanismo de seguridad (2) entrar en contacto con el paso del cepillo. Vuelva a colocar la grapa (10) y atésela.

ASIDERO ADICIONAL

El asidero adicional (11) se fija al reductor de la máquina mediante dos tornillos. Utilice siempre el asidero adicional y sujete la máquina siempre con ambas manos. (Fig. 1)

OPERACIÓN CON LA EVACUACIÓN DE POLVO

La herramienta eléctrica debe explotarse solamente con la evacuación de polvo. Adicionalmente, debe llevarse una careta antipolvo. La aspiradora debe ser apropiada para aspirar polvo de piedras. La aspiradora se conecta al tubo de evacuación de polvo del mecanismo de seguridad. Recomendamos que se utilice una aspiradora con fines industriales, con características técnicas mínimas: débito 60 l/s y subpresión creada (vacío) 180 mbar.

ACCESORIOS QUE PUEDEN UTILIZARSE CON ESTA HERRAMIENTA ELÉCTRICA

Disco fresador con segmentos abrasivos $\varnothing 125 \times \varnothing 22.23 \times 22$

ADVERTENCIA: Para operar con su herramienta eléctrica, se recomiendan los accesorios y los mecanismos indicados anteriormente. El uso de accesorios o mecanismos que difieren de los indicados es una premisa de accidente de trabajo. Utilice los accesorios o los mecanismos solamente según el fin con el que han sido concebidos. Si necesita información adicional respecto a estos accesorios, diríjase al centro de servicio local de SPARKY.

Mantenimiento



ADVERTENCIA: Desconecte siempre la herramienta eléctrica y saque el enchufe de la toma de corriente antes de cualquier revisión o mantenimiento.

CAMBIO DE LOS CEPILLOS

La herramienta eléctrica está provista de cepillos que se desconectan automáticamente. Cuando los cepillos se desgasten, ambos cepillos deberán sustituirse simultáneamente por cepillos originales en un centro de servicio de SPARKY de mantenimiento de garantía y fuera de garantía.

REVISIÓN GENERAL

Revise regularmente todos los elementos de entibación y cerciórese de que hayan sido bien atiesados. En caso de que alguno de los tornillos se haya aflojado, apriételo inmediatamente para evitar situaciones de riesgo.

Si los tornillos (13) se aflojan, deben atiesarse fuertemente para asegurar las roscas, debiendo aplicar adhesivo por la rosca de cada tornillo (13) antes de enroscarlos.

Lubrique regularmente todas las piezas móviles.

Si el cable de alimentación está dañado, su sustitución debe efectuarse por el fabricante o por un técnico de servicio suyo para evitar los peligros de la sustitución.

LIMPIEZA

Para una operación segura, mantenga la máquina y los orificios de ventilación siempre limpios.

Revise regularmente si en la rejilla de ventilación, cerca del motor eléctrico o en torno a los conmutadores, no han entrado polvo o cuerpos ajenos. Utilice un cepillo suave para quitar el polvo acumulado. Para proteger sus ojos, lleve gafas de protección durante la limpieza.

Si el cuerpo de la máquina necesita limpieza, límpielo con un paño suave y húmedo. Puede usarse un detergente de limpieza suave.



ADVERTENCIA: No se deben usar alcohol, gasolina ni otros disolventes. No utilice nunca detergentes de limpieza corrosivos para limpiar las piezas de plástico.



ADVERTENCIA: El agua no debe entrar en contacto con la máquina.

¡IMPORTANTE! Para garantizar una operación segura con la herramienta eléctrica y su fiabilidad, todas las actividades de reparación, mantenimiento y regulación (incluidas la revisión y la sustitución de los cepillos) deben efectuarse en los centros de servicio autorizados de SPARKY, utilizando solamente piezas de recambio originales.

Garantía

El periodo de garantía de las herramientas SPARKY aparece indicado en la hoja de garantía.

Los daños debido a llevar ropa normal, a sobrecargas o manejo indebido se excluirán de la garantía.

Los daños debido al uso de materiales defectuosos, así como a defectos en la hechura serán subsanados libres de gastos por medio de sustitución o reparación.

Se reconocerán las quejas por herramientas SPARKY defectuosas si la máquina se devuelve al distribuidor o si se entrega al servicio autorizado de garantía sin desmontar, en su estado inicial.

Notas

Lea atentamente todo el manual del uso antes de utilizar este producto.

El fabricante se reserva el derecho a cambiar las especificaciones sin previo aviso.

Las especificaciones pueden ser distintas de país a país.

Conteúdo

Introdução	49
Dados técnicos	51
Indicações gerais de advertência para ferramentas eléctricas	52
Instruções adicionais para a segurança do trabalho com fresas para concreto	53
Conhecimento da ferramenta	55
Instruções para o trabalho	55
Manutenção	57
Garantia	58

DESEMBALAGEM

De acordo com as tecnologias de produção geralmente utilizadas, é pouco provável o novo instrumento eléctrico que você adquiriu ser ineficiente ou lhe faltar alguma peça. Mesmo assim, se você verificar que qualquer coisa não está bem, não trabalhe com o instrumento, enquanto a peça ineficiente não for substituída, ou a imperfeição não ficar eliminada. O não seguimento desta recomendação é capaz de provocar um acidente de trabalho grave.

MONTAGEM

A fresa para concreto, embalada numa mala de metal, fornece-se completamente ensablada, pronta para o trabalho

A fresa para concreto, embalada numa mala de plástico, fornece-se ensablada, sendo a manípula complementar colocada mas não apertada. Coloque a manípula complementar na posição desejada e aperte-a com a chave inglesa fornecida com o conjunto.

Introdução

O novo instrumento eléctrico SPARKY que adquiriu vai ultrapassar as suas expectativas. Ele foi fabricado de acordo com os mais elevados padrões de qualidade da SPARKY, os quais vão de encontro com as exigências mais rigorosas do consumidor. Fácil de manutenção e seguro durante a utilização, sendo correctamente manipulado, este instrumento eléctrico servir-lhe-á fielmente durante muitos anos.

ATENÇÃO!



Leia atentamente toda a instrução para o uso, antes de começar a trabalhar com o seu novo instrumento eléctrico SPARKY. Preste especial atenção aos textos que começam com a palavra “**Atenção**”. O seu instrumento eléctrico SPARKY possui qualidades que hão de facilitar o seu trabalho. Ao ser fabricado este instrumento eléctrico, maior atenção foi prestada à segurança, às qualidades de exploração e à fiabilidade, as quais fazem dele um instrumento fácil de manutenção e de exploração.



Não deitar o instrumento eléctrico para o lixo comum!

Os resíduos de aparelhos eléctricos não se devem misturar com o lixo comum. Mande-os para reciclagem nos lugares destinados a isso. Ponha-se em contacto com as autoridades locais ou com um representante para consultar a forma de reciclagem.

PROTECÇÃO DO MEIO AMBIENTE



Visando a protecção do meio ambiente, o instrumento eléctrico, os seus acessórios e embalagem têm-de-ser submetidos a uma adequada reelaboração para serem novamente utilizadas as matérias primas contidas neles.

Para facilitar a reciclagem, as peças feitas de materiais sintéticos levam a respectiva denotação.

DESCRIÇÃO DOS SÍMBOLOS

Sobre a chapa com os dados do instrumento eléctrico estão denotados os símbolos especiais que fornecem importante informação sobre o artefacto ou recomendações para o seu uso.



Duplo isolamento para protecção adicional



Junção roscada do fuso: M14



Conformidade com as directrizes europeias aplicáveis



Conformidade com as exigências dos documentos normativos ucranianos



Está conforme com as exigências dos regulamentos da União Alfandegária



Conheça a instrução de exploração

YYYY-Www


Período de fabrico, onde os símbolos variáveis são:

YYYY - ano de fabrico, ww – a respectiva semana corrente do calendário

FB

FRESA PARA CONCRETO

Dados técnicos

Modelo:	FB 514
• Consumo de energia	1400 W
• Número de rotações nominal	10500 min ⁻¹
• Junção roscada do fuso	M14
• Comprimento da rosca do fuso	20 mm
• Diâmetro de adesão do disco de fresagem	Ø22,23 mm
• Diâmetro máximo do disco de fresagem	Ø125 mm
• Grosso máximo do novo disco de fresagem	22 mm
• Diâmetro da abertura de adesão da remoção da poeira	Ø35 mm
• Gabaritos	
comprimento	325 mm
largura	190 mm
altura	200 mm
• Peso (EPTA procedimento 01/2014)	3,1 kg
• Classe de segurança (EN 60745-1) 	II

INFORMAÇÃO SOBRE RUÍDO E VIBRAÇÕES

Os valores foram medidos de acordo com EN 60745.

Emissão de ruído

A-nível medido de pressão sonora L _p	90 dB (A)
Ambiguidade K _{PA}	3 dB (A)
A-nível medido de potência sonora L _{WA}	101 dB (A)
Ambiguidade K _{WA}	3 dB (A)

Utilize os meios de protecção do ruído!

Emissão de vibrações *

Valor global das vibrações (soma vectorial pelos três eixos), determinada segundo EN 60745:

Fresagem em concreto

Valor das vibrações produzidas a _v	5,8 m/s ²
Ambiguidade K	1,5 m/s ²

* As vibrações são determinadas segundo o p. 6.2.7 de EN 60745-1

O nível das vibrações, indicado neste manual, foi determinado com base no teste indicado por EN 60745 e pode ser utilizado para a comparação de instrumentos eléctricos. O nível das vibrações pode ser utilizado para a avaliação prévia do grau de impacto.

O nível das vibrações declarado refere-se à utilização/função principal do instrumento. Caso o instrumento eléctrico seja utilizado para outros fins, ou forem utilizados outros acessórios, ou o instrumento não for bem tratado, o nível das vibrações diferenciar-se-á do declarado. Em tais casos o nível do impacto pode crescer consideravelmente dentro do período laboral total.

Ao avaliar o nível de impacto das vibrações, é preciso considerar também o tempo em que o instrumento está desligado, ou está ligado, mas sem funcionar. Tal pode diminuir consideravelmente o nível do impacto dentro do período laboral total.

Mantenha o instrumento eléctrico e os acessórios em bom estado. Cuide as mãos quentes durante o trabalho – isto vai diminuir o efeito nocivo do trabalho com instrumentos de vibração elevada.

O pó resultante do processamento dos materiais tais como pinturas com conteúdo de chumbo, certos tipos de madeiras, minerais e metais, pode ser nocivo para a saúde. O contacto directo ou a aspiração do pó pode causar reacções alérgicas e/ou doenças das vias respiratórias do trabalhador ou das pessoas que se encontram perto dele.

Alguns tipos de pó, por exemplo o de carvalho ou de faia consideram-se carcinogénicos, sobretudo em combinação com ingredientes utilizados no processamento da madeira, tais como cromado ou conservantes. O material que contém amianto tem de ser processado só por especialistas

- Quando for possível, utilize sistemas para o desvio do pó.
- Para atingir maior grau de captação do pó, ao trabalhar com o instrumento, utilize aspirador de pó.
- Garanta a boa ventilação do local de trabalho.
- Recomenda-se o uso de máscara anti-pó com filtro da classe P2.

Cumpra as regras vigentes no Seu país referentes ao processamento dos diferentes materiais.

Indicações gerais de advertência para ferramentas eléctricas



ATENÇÃO! Devem ser lidas todas as indicações de advertência e todas as instruções. O desrespeito das advertências e instruções apresentadas abaixo pode causar choque eléctrico, incêndio e/ou graves lesões.

Guarde bem todas as advertências e instruções para futura referência.

O termo “Ferramenta eléctrica” utilizado a seguir nas indicações de advertência, refere-se a ferramentas eléctricas operadas com corrente de rede (com cabo de rede) e a ferramentas eléctricas operadas com bateria (sem cabo de rede).

1. SEGURANÇA DA ÁREA DE TRABALHO

- Mantenha a sua área de trabalho sempre limpa e bem iluminada. Desordem ou áreas de trabalho insuficientemente iluminadas podem levar a acidentes.
- Não trabalhar com a ferramenta eléctrica em áreas com risco de explosão, nas quais se encontrem líquidos, gases ou pós inflamáveis. Ferramentas eléctricas produzem faíscas, que podem inflamar pós ou vapores.
- Manter crianças e outras pessoas afastadas da ferramenta eléctrica durante a utilização. No caso de distração é possível que perca o controlo sobre o aparelho.

2. SEGURANÇA ELÉCTRICA

- A ficha de conexão da ferramenta eléctrica deve caber na tomada. A ficha não deve ser modificada de maneira alguma. Não utilizar uma ficha de adaptação junto com ferramentas eléctricas protegidas por ligação a terra. Fichas não modificadas e tomadas apropriadas reduzem o risco de um choque eléctrico.
- Evitar que o corpo possa entrar em contacto com superfícies ligadas a terra, como tubos, aquecimentos, fogões e frigoríficos. Há um risco elevado devido a um choque eléctrico, se o corpo estiver ligado a terra.
- Manter o aparelho afastado de chuva ou humidade. A infiltração de água numa ferramenta eléctrica aumenta o risco de choque eléctrico.
- Não deverá utilizar o cabo para outras finalidades. Jamais utilizar o cabo para transportar a ferramenta eléctrica, para pendurá-la, nem para puxar a ficha da tomada. Manter o cabo afastado de calor, óleo, cantos afiados ou partes do aparelho em movimento. Cabos danificados ou emaranhados aumentam o risco de um choque eléctrico.
- Se trabalhar com uma ferramenta eléctrica ao ar livre, só deverá utilizar cabos de extensão

apropriados para áreas exteriores. A utilização de um cabo de extensão apropriado para áreas exteriores reduz o risco de um choque eléctrico.

- Se não for possível evitar o funcionamento da ferramenta eléctrica em áreas húmidas, deverá ser utilizado um disjuntor de corrente de avaria. A utilização de um disjuntor de corrente de avaria reduz o risco de um choque eléctrico.

3. SEGURANÇA DE PESSOAS

- Esteja atento, observe o que está a fazer e tenha prudência ao trabalhar com a ferramenta eléctrica. Não utilizar uma ferramenta eléctrica quando estiver fatigado ou sob a influência de drogas, álcool ou medicamentos. Um momento de descuido ao utilizar a ferramenta eléctrica, pode levar a lesões graves.
- Utilizar equipamento de protecção pessoal e sempre óculos de protecção. A utilização de equipamento de protecção pessoal, como máscara de protecção contra pó, sapatos de segurança antiderrapantes, capacete de segurança ou protecção auricular, de acordo com o tipo e aplicação da ferramenta eléctrica, reduz o risco de lesões.
- Evitar uma colocação em funcionamento involuntária. Assegure-se de que a ferramenta eléctrica esteja desligada, antes de conectá-la a alimentação de rede e/ou ao acumulador, antes de levantá-la ou de transportá-la. Se tiver o dedo no interruptor ao transportar a ferramenta eléctrica ou se o aparelho for conectado a alimentação de rede enquanto estiver ligado, poderão ocorrer acidentes.
- Remover ferramentas de ajuste ou chaves de boca antes de ligar a ferramenta eléctrica. Uma ferramenta ou chave que se encontre numa parte do aparelho em movimento pode levar a lesões.
- Evite uma posição anormal. Mantenha uma posição firme e mantenha sempre o equilíbrio. Desta forma é mais fácil controlar a ferramenta eléctrica em situações inesperadas.
- Usar roupa apropriada. Não usar roupa larga nem jóias. Mantenha os cabelos, roupas e luvas afastadas de partes em movimento. Roupas frouxas, cabelos longos ou jóias podem ser agarrados por peças em movimento.
- Se for possível montar dispositivos de aspiração ou de recolha, assegure-se de que estejam conectados e utilizados correctamente. A utilização de uma aspiração de pó pode reduzir o perigo devido ao pó.

4. UTILIZAÇÃO E MANUSEIO CUIDADOSO DE FERRAMENTAS ELÉCTRICAS

- Não sobrecarregue o aparelho. Utilize a ferramenta eléctrica apropriada para o seu trabalho. É melhor e mais seguro trabalhar com a ferramenta eléctrica apropriada na área de potência indicada.
- Não utilizar uma ferramenta eléctrica com um interruptor defeituoso. Uma ferramenta eléctrica que não pode mais ser ligada nem desligada, é perigosa e deve ser reparada.
- Puxar a ficha da tomada e/ou remover o acumulador antes de executar ajustes no aparelho, de

substituir acessórios ou de guardar o aparelho. Esta medida de segurança evita o arranque involuntário da ferramenta eléctrica.

- d) Guardar ferramentas eléctricas não utilizadas fora do alcance de crianças. Não permita que pessoas que não estejam familiarizadas com o aparelho ou que não tenham lido estas instruções, utilizem o aparelho. Ferramentas eléctricas são perigosas se forem utilizadas por pessoas inespertas.
- e) Tratar a ferramenta eléctrica com cuidado. Controlar se as partes móveis do aparelho funcionam perfeitamente e não emperram, e se há peças partidas ou danificadas que possam prejudicar o funcionamento da ferramenta eléctrica. Permitir que peças danificadas sejam reparadas antes da utilização. Muitos acidentes têm como causa, a manutenção insuficiente de ferramentas eléctricas.
- f) Manter as ferramentas de corte afiadas e limpas. Ferramentas de corte cuidadosamente tratadas e com cantos de corte afiados emperram com menos frequência e podem ser conduzidas com maior facilidade.
- g) Utilizar a ferramenta eléctrica, acessórios, ferramentas de aplicação, etc. conforme estas instruções. Considerar as condições de trabalho e a tarefa a ser executada. A utilização de ferramentas eléctricas para outras tarefas a não ser as aplicações previstas, pode levar a situações perigosas.

5. SERVIÇO

- a) Só permita que o seu aparelho seja reparado por pessoal especializado e qualificado e só com peças de reposição originais. Desta forma é assegurado o funcionamento seguro do aparelho.

Instruções adicionais para a segurança do trabalho com fresas para concreto

Instruções gerais para a lixagem:

- a) Este instrumento eléctrico pode ser utilizado como máquina de rebarbar. Leia todas as instruções para a segurança do trabalho, indicações e imagens que recebeu junto com o instrumento. O incumprimento das instruções para a segurança pode provocar lesões pela corrente eléctrica, incêndio e/ou ferimento sério.
- b) Esta ferramenta eléctrica não é apropriada para lixar com lixa de papel, para trabalhos com escovas de arame, para polir, nem para separar por retificação. Aplicações, para as quais a ferramenta eléctrica não é prevista, podem causar riscos e lesões.
- c) Não use acessórios que não são permitidos nem recomendados pelo fabricante especialmente para este instrumento. O facto de que você possa ajustar acessórios ao seu instrumento eléctrico não garante o uso seguro do instrumento.

- d) As rotações nominais do acessório têm de ser pelo menos iguais aos indicados sobre o instrumento rotações máximas. Os acessórios que giram com velocidade maior do que a sua velocidade nominal podem ficar partidos e os seus pedaços a voarem.
- e) O diâmetro externo e a espessura do instrumento de trabalho têm de ficar nas marcas das dimensões indicadas para o seu instrumento eléctrico. Acessórios de dimensões inadequadas não podem ser assegurados e geridos bem.
- f) Ferramentas de trabalho com encaixe roscado devem caber exactamente na rosca do veio de rectificação. Para ferramentas de trabalho montadas com flange é necessário que o diâmetro do furo da ferramenta de trabalho tenha as dimensões apropriadas para o flange. Ferramentas de trabalho, que não são fixas exactamente na ferramenta eléctrica, giram de forma irregular, vibram fortemente e podem levar à perda de controlo.
- g) Não use acessórios danificados. Antes de cada uso verifique os acessórios – os discos abrasivos para superfícies dentadas e rachadas, os discos elásticos para rachaduras, rupturas ou desgaste sensível, as escovas de arame para fios afrouxados ou partidos. Se deixar cair o instrumento ou o acessório ao chão, verifique se está danificado ou monte um acessório novo. Depois de o acessório ter sido verificado e montado, ponha-se junto com os espectadores num lugar fora da superfície de rotação do acessório e deixe o instrumento trabalhar ao ralenti às rotações máximas durante 1 minuto. Normalmente esse tempo é suficiente para os acessórios danificados ficarem partidos.
- h) Use meios individuais de protecção. Segundo o caso concreto, use máscara protectora para a cara ou óculos protectores. Caso seja necessário, use máscara anti pó, meios de protecção do ouvido, luvas protectoras ou avental especial. Os meios de protecção dos olhos têm de proteger das partículas voantes surgidas nas diferentes operações. Os meios de protecção contra o pó e os gases têm de filtrar as partículas que surgem durante o trabalho. A exposição prolongada a ruído forte pode provocar problemas auditivos.
- i) Mantenha os espectadores a uma distância segura da zona de trabalho. Cada pessoa que se encontra na zona de trabalho tem de usar meios individuais de protecção. É possível que aparas voantes da peça processada ou do acessório partido provoquem ferimento mesmo fora da zona imediata de trabalho.
- j) Pegue no instrumento só pelas superfícies isoladas quando está a realizar qualquer operação na qual o acessório cortante pode ter contacto com instalação eléctrica escondida. O contacto do acessório cortante com cabo sob tensão colocará também as partes metálicas descobertas sob tensão e o operário pode sofrer um choque eléctrico.



- k) **Mantenha o cabo alimentador fora do alcance do acessório em funcionamento.** *Se perder o controlo sobre o instrumento, o cabo alimentador pode ficar cortado ou levar a sua mão para a área de rotação do instrumento.*
- l) **Nunca deixe o instrumento antes de o acessório ter parado definitivamente a rotação.** *O acessório girando pode apanhar o material processado e perder o controlo sobre o instrumento.*
- m) **Não deixe o instrumento trabalhar enquanto o estiver transportando.** *Contacto casual do acessório girando com a sua roupa pode apanhá-la e assim causar danos corporais.*
- n) **Limpe regularmente as aberturas de ventilação do instrumento.** *O ventilador do motor aspira pó no corpo do instrumento e a acumulação exagerada de pó de metal pode provocar risco de ferimento com a corrente eléctrica.*
- o) **Não use o instrumento perto de materiais inflamáveis.** *As faíscas podem acender esses materiais.*
- p) **Não use acessórios com os quais se exigem substâncias líquidas de arrefecimento no trabalho.** *O uso de água ou outras substâncias de arrefecimento pode causar avaria ou choque eléctrico.*

Outras instruções de segurança de todas as operações

Ricochete (golpe contrário) e as instruções de segurança relacionadas com ele

Ricochete é a reacção repentina em resultado de congestionamento ou bloqueamento dum acessório, digamos, disco abrasivo, disco elástico, escova de arame, etc. O congestionamento ou bloqueamento produz a paragem repentina da rotação do acessório, o qual, por sua vez, empurra o instrumento não controlado para o sentido contrário ao do sentido da rotação do instrumento no ponto do congestionamento. Por exemplo, se o disco abrasivo ficar congestionado ou bloqueado na peça, a borda do disco abrasivo inserido na peça fica ali e depois o disco pode-se partir ou provocar ricochete. O disco abrasivo salta no sentido do operário ou no sentido contrário dependendo isto do sentido da rotação do disco no lugar do bloqueamento. Nestas circunstâncias é possível que os discos abrasivos fiquem partidos. O ricochete é o resultado do uso e/ou exploração ou condições de trabalho incorrectos e pode ser evitado observando as medidas de segurança a seguir:

- a) **Pegue no instrumento bem, ocupe posição adequada e mantenha as mãos de modo que possa dominar a força do ricochete.** Use sempre o punho adicional, se o instrumento for provido de tal para ter o maior controlo possível sobre a força do ricochete ou sobre o momento de reacção na altura do accionamento. *Mediante medidas de protecção adequadas, o operário pode dominar o momento de reacção e o ricochete.*
- b) **Nunca ponha as mãos perto do acessório girando.** *O acessório pode saltar sobre a Sua mão.*
- c) **Não fique na área da eventual deslocação do instrumento em caso de ricochete.** *O ricochete movimenta o instrumento em sentido contrário ao*

do movimento do disco abrasivo no lugar do bloqueamento.

- d) **Quando está a processar ângulos, bordas afiadas, etc., trabalhe com a atenção elevada.** Não permita que o acessório salte ou bloqueie a peça. *No trabalho com ângulos, bordas afiadas, etc., existe o perigo de o acessório que gira fique congestionado e provoque perda de controlo ou ricochete.*
- e) **Não use discos em cadeia ou circulares para processar madeira.** *Esses acessórios provocam frequentemente ricochete ou perda de controlo sobre o instrumento.*
 - **Fixe a peça processada com um grampo ou de outro modo adequado.**

Instruções específicas para a segurança do trabalho de lixagem

- a) **Use só os tipos de discos com o respectivo protector recomendados para o instrumento.** *Discos que não foram fabricados para esse instrumento não podem ser devidamente protegidos e não são seguros.*
- b) **Rebolos acotovelados devem ser montados de modo que a sua superfície retificadora não sobressaia do nível da borda da cobertura de protecção.** *Um rebolo montado de forma incorrecta, que sobressaia do nível da borda da cobertura de protecção, não pode ser suficientemente protegido.*
- c) **O protector tem de se fixar bem ao instrumento e estar disposto de modo que garanta a segurança máxima, i.e., uma parte mínima possível do disco ficar aberta para com o operário.** *O protector tem de proteger o operário de partículas voantes, contacto casual com o disco e faíscas que poderiam incendiar a roupa.*
- d) **Os discos têm de ser usados apenas para as aplicações recomendadas.** Por exemplo, nunca lixe com a superfície lateral dum disco cortante. *Os discos cortantes são destinados a remoção de material com a borda do disco. Ao exercer pressão lateral sobre um disco deste tipo, ele pode ficar partido.*
- e) **Use sempre flanges de compressão perfeitos de dimensão e forma adequadas para o disco escolhido.** *Os flanges de compressão correctamente escolhidos fixam o disco e diminuem o perigo de ele ficar partido. Os flanges de compressão para discos cortantes podem ser diferentes dos flanges de compressão para outros discos.*

Instruções adicionais para a segurança



ADVERTÊNCIA: Antes de ligar a ferramenta à rede alimentadora, verifique se a tensão na rede eléctrica corresponde à que está marcada na placa dos dados técnicos da ferramenta.

- Fonte de alimentação cuja tensão é maior do que a indicada para a ferramenta, pode causar tanto um grave dano de choque eléctrico no operário, como avaria do instrumento.
- Se tiver quaisquer hesitações, não meta a ficha de



tomada da ferramenta na rede de alimentação.

- Fonte de alimentação cuja tensão é menor do que a indicada para a ferramenta, pode causar tanto um grave dano ao motor eléctrico.



Use sempre óculos protectores, anti-fónes e máscara anti-pó. O pó e as partículas abrasivas emanadas durante o trabalho podem afectar gravemente a Sua saúde.

- **Ao trabalhar em ambiente poeirento, as aberturas de ventilação do instrumento têm de se manter limpas. Caso seja necessário limpá-las do pó acumulado, primeiro desligue o instrumento da corrente e use objectos não metálicos para limpar o pó procurando não danificar as peças internas do instrumento. O instrumento vai ficar sobreaquecido ao diminuir o arrefecimento devido à acumulação de pó nas aberturas de ventilação.**
- **Pegue na ferramenta só pelas superfícies isoladas, quando efectua operação na qual a superfície cortante pode entrar em contacto com instalação eléctrica escondida ou com o cordão próprio. O contacto da superfície cortante com cabo sob tensão vai deixar as partes metálicas descobertas do instrumento sob tensão e o operário pode sofrer choque eléctrico.**
- **Sempre desligue a ficha da tomada antes de realizar quaisquer consertos, reparações ou manutenção, bem como nos casos de queda da tensão alimentadora.**
- Depois dum trabalho prolongado as partes metálicas externas e os acessórios podem ficar quentes.
- Sempre desligue a ferramenta antes de deixá-la de lado.
- Não sobrecarregue a ferramenta, trabalhe a velocidade moderada. A sobrecarga resulta da aplicação duma pressão exagerada que causa o atraso na rotação do motor, o qual é uma premissa para o trabalho ineficiente e eventual avaria do motor eléctrico.
- Nunca deixe na zona operacional estopas, cordões, farrapos, etc.
- Afaste da superfície processada quaisquer pregos, parafusos, etc., antes de iniciar o trabalho.
- Antes de aplicar a ferramenta sobre uma superfície concreta, ligue-a e deixe-a trabalhar durante algum tempo. Durante o trabalho a ferramenta tem de se encontrar a uma distância mínima de 200 mm da Sua cara e do Seu corpo.
- Mantenha sempre uma posição estável. Ao trabalhar a certa altura, convença-se de que não há ninguém debaixo de Si.
- Pegue bem na ferramenta.
- Cuide as mãos de peças girando. Não pegue no dispositivo operacional ou na peça processada imediatamente depois do trabalho – eles podem ter ficado muito quentes e podem causar-lhe queimaduras na pele.
- A ferramenta eléctrica tem de se usar só para o que for destinada. Qualquer outro uso diferente do que está descrito nesta instrução considerar-se-á uso incorrecto. A responsabilidade de qualquer avaria ou ferimento que decorrem do uso incorrecto será assumida pelo consumidor e não pelo fabricante.

- Para explorar correctamente esta ferramenta, tem de observar as regras de segurança, as instruções gerais e as indicações para o trabalho aqui assinaladas. Todos os consumidores têm de conhecer esta instrução e estar informados sobre os riscos potenciais ao trabalhar com a ferramenta. Crianças e pessoas de físico fraco não têm de trabalhar com a ferramenta. As crianças têm de encontrar-se sob vigilância permanente, caso se encontrarem perto do lugar onde se trabalha com a ferramenta. É preciso serem tomadas obrigatoriamente medidas preventivas de segurança. O mesmo refere-se à observância das regras principais de saúde profissional e segurança técnica.
- O fabricante não assume a responsabilidade pelas alterações feitas na ferramenta pelo consumidor, nem pelas avarias que decorrem dessas alterações.

Mesmo quando a ferramenta é utilizado de acordo com as recomendações, não é possível eliminar todos os factores residuais de risco. Podem surgir os seguintes perigos relacionados com a construção e o design da ferramenta:

- Deficiências auditivas, se não se usam antifónes eficazes.
- Sempre desligue a ficha da tomada antes de realizar quaisquer consertos, reparações ou manutenção, incluindo a substituição dos acessórios operacionais.
- O instrumento eléctrico não se deve usar à intempérie em tempo de chuva, em ambiente úmido (depois de chuva) ou perto de líquidos e gases inflamáveis. O local de trabalho tem de se manter bem iluminado.

Conhecimento da ferramenta

Antes de começar a trabalhar com a ferramenta eléctrica, conheça todas as suas especificidades operacionais e as condições de segurança.

Use o instrumento e os seus acessórios só para o que forem destinados. Qualquer outra aplicação é terminantemente proibida.

1. Fuso
2. Protector do disco
3. Flange de apoio
4. Disco de fresagem com segmentos de diamante
5. Anel de apoio de testa plana
6. Castanha
7. Interruptor
8. Botão de travamento do interruptor
9. Escova de vedação
10. Suporte de montagem
11. Manipula complementar
12. Chave especial
13. Parafuso

Instruções para o trabalho

Este modelo de ferramenta eléctrica alimenta-se unicamente por tensão alternada monofásica. Pode-se juntar a tomadas sem clips de segurança, pois tem duplo isolamento conforme EN 60745-1 e IEC 60745. As radio-perturbações correspondem à Directriz sobre a compa-

tabilidade electromagnética.

Esta ferramenta eléctrica destina-se a fresagem tosca e fina de concreto e materiais rochosos com o fim de limpá-los antes da aplicação de rebocos e coberturas de protecção. A máquina destina-se a fresagem ao seco.

ANTES DE COMEÇAR O TRABALHO

- Verifique se a tensão da rede eléctrica corresponde à que está indicada sobre a chapa com os dados técnicos da ferramenta eléctrica;
- Verifique em que posição se encontra o interruptor. A ferramenta tem de se ligar e desligar da rede só com o interruptor nulificado.
- Assegure-se da perfeição do cabo de alimentação e do pino de tomada. Se o cabo de alimentação está danificado, a sua substituição tem de se fazer pelo produtor ou por especialista de serviço autorizado por ele para evitar os perigos decorrentes dessa operação



ADVERTÊNCIA: Desligue sempre a ficha da tomada antes de realizar quaisquer consertos, reparações ou manutenção.

- Ao utilizar discos de corte diamantados deverá assegurar-se de que a seta do sentido de rotação sobre o disco de corte diamantado coincide com o sentido de rotação da ferramenta eléctrica (veja seta do sentido de rotação sobre o cabeçote de engrenagens).
- Use sempre a manípula adicional e pegue na ferramenta com ambas as mãos para garantir o controlo máximo sobre o ricochete ou a reacção rotacional no arranço. (Fig.1)

ARRANCO - PARAGERM

Antes de conectar a ferramenta na rede alimentadora, sempre verifique se o interruptor se acciona correctamente e se volta para a posição "Desligado" quando ficar afrouxado.

1. Para accionar a ferramenta, o deslizador (7) desloca-se para frente até a sua parte da frente ficar afundada e travada. (Fig.2)
2. Para desconectar a ferramenta, aperte o extremo traseiro elevado do deslizador (7) e deixe-o voltar pela sua conta para trás na posição inicial. (Fig.3)

DISPOSITIVO ELECTRÓNICO

A ferramenta eléctrica tem um dispositivo electrónico inserido que tem as seguintes funções:

- Defesa contra a queda da tensão. No caso de interrupção da tensão da rede alimentadora por um tempo $t > 0,5$ s, a ferramenta deixa de trabalhar mesmo quando o interruptor está travado em posição operacional. Para restabelecer o funcionamento normal da ferramenta, tem de ser desligado o interruptor de arranço e depois ligado outra vez.
- Arranço paulatino e limitação da corrente de arranque. Tal arranço garante o início do trabalho da máquina sem empurrões e evita o surgimento de flutuações da tensão da rede de alimentação.
- Manutenção de rotações permanentes num amplo diapasão de carga;
- Defesa de sobrecarga de curta duração. Quando tais

sobrecargas são maiores põe-se a funcionar um relé de corrente que diminui bruscamente as rotações do instrumento eléctrico. Para restabelecer o trabalho normal, retire o instrumento do material.

- Defesa térmica. No caso de pequenas, mas duradouras sobrecargas, põe-se a funcionar a defesa da temperatura. Antes de ser atingida a temperatura crítica, a electrónica desliga a máquina e ela passa do regime de trabalho para o regime de defesa que funciona com rotações diminuídas do motor. A máquina torna-se inapta para o trabalho. No regime de defesa o motor gira com rotações diminuídas para se acelerar o arrefecimento, mas a máquina é INAPTA. Por 3-5 minutos a máquina arrefece e torna-se de novo apta para o trabalho. Para entrar no regime de trabalho, é necessário de novo desligar e ligar o interruptor.

PROTECTOR DO DISCO

O protector (2) do disco tem de estar sempre montado na máquina!

MONTAGEM, SUBSTITUIÇÃO E REGULAÇÃO DA POSIÇÃO DO DISCO OPERACIONAL

Convença-se de que o diâmetro e o grosso do disco não ultrapassam os indicados nos dados técnicos.

O fuso 1 da fresa fixa-se apertando o botão (8) que se encontra sobre a caixa redutora.



ADVERTÊNCIA: Não se admite apertar o botão (8) enquanto o fuso estiver a girar.

Sendo o botão apertado, dobra-se o fuso até se sentir claramente o afundamento do botão. A castanha (6) desenrola-se com a chave especial (12). Devido ao desgaste do disco e para otimizar a remoção de poeira prevê-se a possibilidade de regulação da posição do disco.

Ao fixar o novo disco, ordene os elementos sobre o fuso de ferramenta na ordem seguinte: flange de apoio (3), disco (4), castanha (6) com a parte solta para o disco, tal como indicado na Fig.4.



ADVERTÊNCIA: A colocação da castanha (6) com a parte convexa para o disco vai impossibilitar o aperto do disco operacional.

Quando o disco fica meio gasto ou mais, ordene os elementos sobre o fuso de ferramenta na ordem seguinte: flange de apoio de testa plana (5), disco (4), castanha (6) com a parte convexa para o disco, tal como indicado na Fig.5.



ADVERTÊNCIA: Ao colocar a castanha (6) com a parte solta para o disco, ele não vai ficar centrado, o qual vai provocar grandes vibrações e constituir uma premissa para acidente.



ADVERTÊNCIA: Depois da substituição do disco, deixe a ferramenta trabalhar com o novo disco pelo mínimo 30 segundos ao ralenti. Os discos que vibram ou foram incorrectamente colocados têm de ser imediatamente substituídos.

Ao mudar a posição do disco, caso seja necessário, regele a posição ou substitua a escova de vedação.

REGULAÇÃO DA POSIÇÃO (SUBSTITUIÇÃO) DA ESCOVA DE VEDAÇÃO

A escova (9) serve para diminuir até ao mínimo a descarga de poeira no ambiente. Ela desgasta-se junto com o desgaste do disco. Ao colocar novo disco, caso seja necessário, substitua também a escova de vedação. Afrouxe o parafuso do suporte de montagem (10) e retire a escova velha. Coloque a nova até que a borda do protector (2) chegue a tocar no pé da escova. Coloque de novo o suporte de montagem (10) e aperte-o.

MANÍPULA COMPLEMENTAR

A manípula complementar (11) fixa-se ao redutor da ferramenta mediante dois parafusos. Use sempre a manípula complementar e pegue na ferramenta com ambas as mãos. (Fig.1)

TRABALHO COM REMOÇÃO DA POEIRA

A máquina tem de ser explorada só com remoção da poeira. Adicionalmente tem de se usar máscara anti-pó. O aspirador da poeira tem de ser apropriado para aspirar poeira de pedras. O aspirador de pó monta-se no tubo da remoção de poeira do protector. Recomenda-se aspirador de poeira para fins industriais com as seguintes características mínimas: débito 60 l/s e vácuo de 180 mbar.

ACESSÓRIOS QUE PODEM SER UTILIZADOS COM O INSTRUMENTO ELÉCTRICO

Disco de fresagem com segmentos abrasivos Ø125 x Ø22.23 x 22

ADVERTÊNCIA: Para trabalhar com esta ferramenta recomendam-se os acessórios ou dispositivos acima assinalados. O uso de outros acessórios ou dispositivos, diferentes dos mencionados, constitui premissa para acidente laboral. Use os acessórios ou dispositivos só para o que forem destinados. Caso precise de informação adicional sobre esses acessórios, dirija-se à oficina local da SPARKY.

Manutenção



ADVERTÊNCIA: Sempre desligue a ficha da tomada antes de realizar quaisquer consertos, reparações ou manutenção.

SUBSTITUIÇÃO DAS ESCOVAS

A ferramenta é equipada com escovas auto-stop. Quando as escovas ficarem gastas, ambas têm de ser substituídas ao mesmo tempo por escovas originais na oficina de serviço SPARKY para assistência no prazo de garantia e fora dele.

REVISÃO GERAL

Revise regularmente todos os elementos de suporte e verifique se estão bem apertados. Caso algum parafuso tenha ficado afrouxado, aparafuse-o imediatamente para evitar situações de risco.

Se os parafusos (13) ficarem afrouxados, têm de ser bem apertados, mas de serem aparafusados, é preciso aplicar sobre a rosca de cada parafuso (13) cola de afixar roscas.

Lubrifique regularmente todas as peças móveis.

Se o cabo alimentador estiver danificado, a substituição tem de se fazer pelo produtor ou seu especialista autorizado de oficina de serviço, para evitar os perigos da substituição.

LIMPEZA

Para um trabalho seguro mantenha sempre limpas a ferramenta e as aberturas de ventilação.

Verifique regularmente se na grade da ventilação perto do motor eléctrico e dos comutadores não tenham penetrado pó ou corpos alheios. Use uma escova fina para remover o pó acumulado. Para proteger os olhos durante a limpeza use óculos protectores.

Caso o corpo da ferramenta precise de limpeza, use um pano macio húmido. Pode usar também algum detergente fraco.



ADVERTÊNCIA: Não se admite o uso de álcool, gasolina ou outros solventes. Nunca use substâncias corrosivas para limpar as partes de plástico.



ADVERTÊNCIA: Não se admite a entrada de água em contacto com a ferramenta.

IMPORTANTE! Para garantir o trabalho seguro com o instrumento e a confiança nele, todas as actividades relacionadas com reparação, manutenção e regulação (incluindo a revisão e substituição das escovas) têm de se fazer nas oficinas de serviço autorizadas da SPARKY utilizando só peças de sobresselente originais.

Garantia

O prazo de garantia dos instrumentos eléctricos SPARKY está indicado no cartão de garantia. Problemas surgidos em resultado do desgaste natural, sobrecarga ou utilização incorrecta, ficam excluídos dos deveres da garantia. Os problemas surgidos devido ao uso de materiais de baixa qualidade e/ou erros de fabricação, eliminam-se sem pagamento adicional mediante substituição ou reparação.

Reclamação por um instrumento eléctrico SPARKY defeituoso reconhece-se quando o instrumento for devolvido ao distribuidor ou for levado a uma oficina autorizada de assistência em prazo de garantia no seu estado inicial (montado).

Observações

Leia atentamente toda a instrução para o uso, antes de começar a trabalhar com este aparelho.

O fabricante reserva-se o direito de introduzir melhoras e modificações nos seus aparelhos, bem como modificar as especificações sem aviso.

As especificações podem variar de país para país.

Spis treści

Wstęp	59
Dane techniczne.....	61
Instrukcje bezpieczeństwa przy pracy elektronarzędzami.....	62
Instrukcje bezpieczeństwa przy pracy szlifierkami do betonu.....	63
Podstawowe elementy.....	65
Obsługa.....	65
Konserwacja	67
Gwarancja.....	67

ROZPAKOWANIE

Państwa produkt został zmontowany i zapakowany z należytą starannością, istnieje niewielkie prawdopodobieństwo, że urządzenie może być uszkodzone lub brakować części. Jeśli zostanie taki fakt stwierdzony nie należy używać urządzenia do momentu usunięcia braków. Praca niekompletnym urządzeniem może być przyczyną poważnych uszkodzeń ciała.

MONTAŻ

Szlifierkę do betonu, opakowaną w walizce metalowej, dostarcza się całkowicie zmontowaną, gotową do pracy. Szlifierkę do betonu, opakowaną w walizce plastikowej, dostarcza się zmontowaną, a uchwyt dodatkowy założono, lecz nie dokręcono. Ustawić uchwyt dodatkowy w pożądaną pozycję i dokręcić dostarczonym w ukończeniu kluczem maszynowym.

Wstęp

Gratulujemy wyboru urządzenia SPARKY, zdolnego spełnić oczekiwania najbardziej wymagającego użytkownika. Urządzenie zostało wyprodukowane zgodnie z rygorystycznymi standardami jakości SPARKY, aby zapewnić najwyższą jakość funkcjonowania. To łatwe i bezpieczne w użytkowaniu urządzenie, odpowiednio stosowane i konserwowane, zapewni Państwu długie lata niezawodnej pracy.

UWAGA!



Prosimy o dokładne zapoznanie się z niniejszą instrukcją obsługi przed użyciem urządzenia SPARKY, zwracając szczególną uwagę na ostrzeżenia i uwagi. Dzięki swoim cechom urządzenie SPARKY zapewnia szybkość i łatwą pracę. Bezpieczeństwo, niezawodność i wydajność były priorytetami przy konstruowaniu tego urządzenia, by zapewnić łatwość obsługi oraz utrzymania.



Nie wyrzucać urządzeń elektrycznych razem z domowymi śmieciami!

Zużyte urządzenia elektryczne nie mogą być wyrzucane wraz z ze śmieciami z gospodarstwa domowego. Tam gdzie to możliwe, należy oddać zużyte urządzenie do punktu recyklingu. Należy skontaktować się z władzami lokalnymi lub sprzedawcą w celu uzyskania informacji odnośnie recyklingu.



OCHRONA ŚRODOWISKA

Urządzenie, akcesoria oraz opakowanie powinny zostać odpowiednio posortowane przez recyklingiem. Części plastikowe są oznaczone odnośnie odpowiedniej kategorii odzyskiwania surowca.

OPIS SYMBOLI

Tabliczka znamionowa na urządzeniu może zawierać symbole graficzne. Przedstawiają one ważne informacje o produkcie lub jego obsłudze.



Podwójna izolacja zabezpieczenia dodatkowego



Gwint wrzeciona: M14



Zgodny z odpowiednimi dyrektywami europejskimi



Zgodność z wymogami ukraińskich dokumentów normatywnych



Spełnia wymagania przepisów Unii Celnej



Zapoznać się z instrukcją obsługi


YYYY-Www

Okres produkcji, w którym zmiennymi symbolami są:
YYYY - roku produkcji, ww – tydzień kalendarzowy

FB

SZLIFIERKA DO BETONU

Dane techniczne

Model:	FB 514
• Moc	1400 W
• Znamionowa prędkość obrotowa	10500 min ⁻¹
• Gwint wrzeciona	M14
• Długość gwintu wrzeciona	20 mm
• Otwór tarczy czołowej	Ø22.23 mm
• Maksymalna średnica tarczy czołowej	Ø125 mm
• Maksymalna grubość tarczy czołowej	22 mm
• Średnica przyłącza odprowadzania pyłów	Ø35 mm
• Wymiary:	
Długość	325 mm
Szerokość	190 mm
Wysokość	200 mm
• Waga (wg procedury EPTA 01/2014)	3.1 kg
• Klasa bezpieczeństwa (EN 60745-1) 	II

INFORMACJE O POZIOMIE HAŁASU I WIBRACJI

Wartości zmierzone zgodnie z normą EN 60745.

Emisja hałasu

Określony wg skali A poziom ciśnienia akustycznego L _{PA}	90 dB (A)
Nieoznaczoność K _{PA}	3 dB (A)
Określony wg skali A poziom mocy akustycznej L _{WA}	101 dB (A)
Nieoznaczoność K _{WA}	3 dB (A)

Nosić ochronę słuchu!

Emisja wibracji *

Wartości łączne drgań (suma wektorowa z trzech kierunków) określone zgodnie z normą EN 60745:

Szlifowanie betonu

Wartość emisji wibracji a	5.8 m/s ²
Nieoznaczoność K	1.5 m/s ²

* Wartości emisji drgań określone zgodnie z punktem 6.2.7 normy EN 60745-1.

Podany w niniejszej instrukcji poziom drgań został zmierzony zgodnie z określoną przez normę EN 60745 procedurą i może być używany do porównywania urządzeń. Może być stosowany do wstępnego określenia ekspozycji. Deklarowany poziom emisji drgań odnosi się do głównego zastosowania urządzenia. Jeżeli urządzenie zostanie przeznaczone do innych zastosowań, z innym osprzętem lub nie będzie należycie konserwowane, poziom emisji wibracji może się różnić. Może to znacznie zwiększyć poziom ekspozycji w łącznym czasie pracy.

Aby dokładnie określić poziom ekspozycji na drgania, należy także brać pod uwagę okresy gdy urządzenie jest wyłączone, lub gdy nawet jest włączone, ale nie wykorzystywane do pracy. Może to znacznie obniżyć poziom ekspozycji na drgania w łącznym czasie pracy.

Chronić urządzenie oraz osprzęt oraz dbać o zapewnienie ciepła dłoniom podczas pracy w celu obniżenia szkodliwego wpływu drgań.

Pył z takich materiałów jak np. farba zawierająca ołów, niektóre gatunki drewna, minerały oraz metal może być szkodliwy. Kontakt lub inhalacja pyłów może spowodować reakcje alergiczne i/lub choroby układu oddechowego u operatora lub osób znajdujących się w bezpośredniej bliskości.

Pewne odmiany pyłów sklasyfikowane są jako rakotwórcze np. pył dębowy czy bukowy w szczególności w połączeniu z dodatkami zawierającymi chromaty i środki konserwujące. Materiały zawierające azbest mogą być obrabiane jedynie przez specjalistów.

- Tam gdzie możliwe jest stosowanie odciągu pyłów należy je stosować.
- Aby uzyskać wysoką skuteczność odciągu pyłów, stosować odkurzacz do drewna lub do drewna i minerałów wraz z niniejszym urządzeniem.
- Miejsce pracy musi być dobrze wentylowane.
- Zaleca się stosowanie maski p.pyłowej lub filtrów klasy P2.

Przestrzegać przepisów krajowych odnośnie obrabianych materiałów.

Instrukcje bezpieczeństwa przy pracy elektronarzędzami



Uwaga! Przeczytać wszystkie instrukcje bezpieczeństwa. Nie przestrzeganie instrukcji i ostrzeżeń może spowodować porażenie prądem, pożar i/lub poważne obrażenia.

Zachować wszystkie instrukcje i ostrzeżenia.

Termin: „urządzenie” we wszystkich poniższych informacjach odnosi się do urządzeń zasilanych z sieci (przewodowych) oraz urządzeń akumulatorowych (bezprowodowych).

1. BEZPIECZEŃSTWO MIEJSCA PRACY

- Miejsce pracy musi być zawsze dobrze oświetlone i czyste. Niedoświetlenie oraz nieład mogą być przyczyną wypadków.
- Nie należy używać urządzenia w obecności palnych płynów, gazów i pyłów. Podczas pracy urządzenia powstają iskry, które mogą zapalić pyły lub opary.
- Chronić przed dziećmi i osobami postronnymi. Brak skupienia może spowodować utratę kontroli nad urządzeniem.

2. BEZPIECZEŃSTWO ELEKTRYCZNE

- Wtyczka urządzenia musi pasować do gniazda zasilającego. Nie wolno modyfikować wtyczki w jakikolwiek sposób. Nie stosować żadnych adapterów w przypadku elektronarzędzi wymagających uziemienia. Nie modyfikowane wtyczki oraz gniazda zasilające redukują ryzyko porażenia prądem.
- Unikać kontaktu z uziemionymi przedmiotami takimi jak, rury, grzejniki, piece i lodówki. Ryzyko porażenia prądem wzrasta gdy ciało użytkownika zostanie uziemione poprzez kontakt z np. ww. przedmiotami.
- Nie narażać urządzenia na kontakt z wodą – w takim wypadku wzrasta zagrożenie porażenia prądem.
- Nie przenosić, nie wyłączać ani nie ciągnąć urządzenia trzymając za przewód. Chronić przewód przed źródłem ciepła, olejami, przedmiotami o ostrych brzegach lub ruchomych częściach. Uszkodzony lub splątany przewód może zwiększyć ryzyko porażenia prądem.
- Podczas pracy na zewnątrz należy zawsze stosować odpowiedni przewód przedłużający. Stosowanie przewodu przeznaczonego do pracy na zewnątrz zmniejsza ryzyko porażenia prądem.
- Jeśli praca w wilgotnym środowisku jest nieunikniona, stosować zasilanie zabezpieczone wyłącznikiem różnicowo-prądowym. Stosowanie wyłącznika różnicowo-prądowego zmniejsza ryzyko porażenia prądem.

3. BEZPIECZEŃSTWO OSOBISTE

- Zawsze należy pracować w należyтым skupieniu i kierować się rozsądkiem. Nie używać urządzenia pozostając pod wpływem leków, alkoholu lub narkotyków, w trakcie leczenia lub będąc zmęczonym. Chwila nieuwagi podczas pracy urządzeniem może być przyczyną poważnych uszkodzeń ciała.
- Stosować wyposażenie ochronne. Zawsze używać ochrony oczu. Wyposażenie takie jak maska p. pyłowa, buty na podszewie antypoślizgowej, kask, ochronniki słuchu, redukuje zagrożenie uszkodzenia ciała.
- Unikać przypadkowego włączenia urządzenia. Upewnić się, że włącznik znajduje się w położeniu; „wyłączony” przed podłączeniem urządzenia do źródła zasilania. Przenoszenie urządzenia trzymając za włącznik lub podłączając je do zasilania z włącznikiem w pozycji: „włączone” może być przyczyną wypadków.
- Przed włączeniem urządzenia upewnić się, że nie jest dołączony żaden osprzęt regulujący (np. klucz). Pozostawienie klucza w rotującej części urządzenia może spowodować obrażenia.
- Nie przeceniać własnych możliwości. Zawsze dbać o odpowiednie oparcie dla nóg oraz balans. Zapewni to lepszą kontrolę w nieoczekiwanych sytuacjach.
- Stosować odpowiednie ubranie. Nie nosić luźnych ubrań ani biżuterii. Nie zbliżać włosów, ubrania ani rękawic roboczych do ruchomych części urządzenia. Luźne ubranie, biżuteria lub długie włosy mogą utknąć w ruchomych częściach urządzenia.
- Jeśli urządzenie jest wyposażone w adapter odprowadzania pyłów, należy sprawdzić czy jest odpowiednio podłączony i używany. Stosowanie systemu odprowadzania pyłów może obniżyć niebezpieczeństwa związane z pyleniem.

4. UŻYWANIE I KONSERWACJA URZĄDZENIA

- Nie przeciążać urządzenia. Stosować odpowiednie urządzenie do każdej pracy. Należyćie dobrane urządzenie wykona pracę lepiej i bezpiecznie w trybie do jakiego zostało zaprojektowane
- Nie używać urządzenia jeśli włącznik nie działa. Każde urządzenie z uszkodzonym włącznikiem jest niebezpieczne i musi zostać naprawione.
- Zawsze należy odłączyć urządzenie od zasilania i/lub wyjąć baterię przed zmianą ustawień, wymianą akcesoriów lub odłożeniem po pracy. Takie działanie zmniejszy ryzyko przypadkowego włączenia urządzenia.
- Nie używane urządzenie należy chronić przed dziećmi oraz niepowołanymi osobami nie znającymi tego urządzenia lub niniejszej instrukcji. Elektronarzędzia są niebezpieczne w rękach nie przeszkolonych osób.
- Konserwować elektronarzędzia. Sprawdzać połączenia części ruchomych, ewentualne uszkodzenia oraz inne czynniki mogące mieć wpływ na działanie urządzenia. W przypadku stwierdzenia uszkodzenia należy naprawić urządzenie przed dalszym użytkowaniem.

Wiele wypadków spowodowanych jest nienależytą konserwacją urządzenia.

- f) Narzędzia tnące zawsze muszą być ostre. Odpowiednio konserwowane narzędzia tnące z ostrymi krawędziami rzadziej się zacinają w obrabianym materiale i są łatwiejsze w obsłudze.
- g) Niniejsze urządzenie oraz osprzęt do niego muszą być używane zgodnie z niniejszą instrukcją obsługi oraz w zakresie przewidzianym dla danego typu urządzenia. Zawsze należy brać pod uwagę rodzaj pracy do wykonania oraz warunki panujące w miejscu pracy. Użycie elektronarzędzi do celów innych niż opisane w niniejszej instrukcji obsługi może spowodować niebezpieczne sytuacje.

5. SERWIS

- a) Niniejsze urządzenie należy serwisować wyłącznie w autoryzowanych serwisach SPARKY z wykorzystaniem oryginalnych części zamiennych. Takie postępowanie zapewni należyte bezpieczeństwo.

Instrukcje bezpieczeństwa przy pracy szlifierkami do betonu

OGÓLNE WSKAZÓWKI BEZPIECZEŃSTWA PRZY SZLIFOWANIU:

- a) Niniejsze elektronarzędzie można używać jako szlifierki. Nieprzestrzeganie wskazówek bezpieczeństwa może spowodować porażenie prądem, pożar i/lub poważne skaleczenie.
- b) Niniejsze elektronarzędzie nie nadaje się do szlifowania papierem ściernym, szlifowania szcztokami drucianymi, polerowania i przecinania ściernicowego. Zastosowanie elektronarzędzia do innej, niż przewidziana czynności roboczej, może stać się przyczyną zagrożeń i obrażeń.
- c) Nie stosować osprzętu, który nie został specjalnie zaprojektowany i zalecony przez producenta urządzenia. Sam fakt możliwości przyłączenia osprzętu do urządzenia nie zapewnia bezpiecznego użytkowania.
- d) Określona prędkość obrotowa osprzętu musi być co najmniej równa maksymalnej prędkości określonej na urządzeniu. Osprzęt obracający się szybciej od określonej na nim prędkości może pęknąć i rozpaść się.
- e) Zewnętrzna średnica oraz grubość osprzętu musi zawierać się w zakresie przeznaczonym dla danego urządzenia. Niewłaściwie dobrany pod względem rozmiarów osprzęt nie może być należycie kontrolowany i chroniony.
- f) Narzędzia robocze z wkładką gwintowaną muszą dokładnie pasować na gwint na wrzecionie. W przypadku narzędzi roboczych, mocowanych przy użyciu kołnierza średnica otworu narzędzia roboczego musi być dopasowana do średnicy kołnierza. Narzędzia robocze, które nie mogą być dokładnie osadzone na elektronarzędziu, obracają się nierównomiernie, bardzo mocno wibrują i mogą spowodować utratę kontroli

nad elektronarzędziem.

- g) Nie używać uszkodzonego osprzętu. Przed każdym użyciem sprawdzać osprzęt: tarcze ściernie pod względem pęknięć i wyszczerbień, podkładki pod względem pęknięć, uszkodzeń gwintu lub nadmiernego zużycia, szcztoki druciane pod względem poluzowania i pękniętych drutów. W przypadku upuszczenia urządzenia lub osprzętu, sprawdzić pod względem uszkodzeń lub zastosowań nieuszkodzony osprzęt. Po sprawdzeniu i zamocowaniu osprzętu, ustawić się oraz ew. inne osoby poza zasięgiem płaszczyzny obracającego się osprzętu i włączyć urządzenie z maksymalną prędkością na minutę. W przypadku uszkodzenia, osprzęt powinien się rozpaść podczas tej próby testowej.
- h) Stosować wyposażenie ochronne. W zależności od wykonywanych czynności używać osłonę twarzy, okulary ochronne. W zależności od potrzeb stosować maskę p. pyłową, ochronniki słuchu, rękawice oraz fartuch roboczy zdolne zatrzymać małe cząstki powstające w czasie pracy. Ochrona wzroku powinna móc zatrzymać odpadki powstające przy różnego rodzaju pracach. Maskę p. pyłową musi zapewnić filtrację cząstek powstających podczas pracy. Długa ekspozycja na intensywny hałas może spowodować uszkodzenie słuchu.
- i) Osoby towarzyszące powinny znajdować się w bezpiecznej odległości od miejsca pracy. Każda osoba znajdująca się w miejscu pracy powinna stosować wyposażenie ochronne. Fragmenty obrabianego materiału lub uszkodzonego osprzętu mogą spowodować obrażenia także poza bezpośrednim miejscem pracy.
- j) Podczas prac, przy których elektronarzędzie mogłoby natrafić na ukryte przewody elektryczne, należy je trzymać tylko za izolowaną rękogęść. Pod wpływem kontaktu osprzętu z przewodami będącymi pod napięciem, wszystkie części metalowe elektronarzędzia mogą również znaleźć się pod napięciem i spowodować porażenie prądem operatora.
- k) Chronić przewód przed obracającym się osprzętem. W wypadku utraty kontroli, przewód może zostać przecięty lub zaczepiony i wciągnięty wraz z ręką operatora do obracającego się osprzętu.
- l) Nigdy nie odkładać urządzenia przed całkowitym zatrzymaniem się osprzętu. Obracający się osprzęt może zahaczyć się o podłogę i spowodować utratę kontroli.
- m) Nie przenosić włączonego urządzenia. Przykładowy kontakt z obracającym się osprzętem może spowodować wkręcenie się w ubranie i uszkodzenie ciała.
- n) Regularnie oczyszczać otwory wentylacyjne urządzenia. Zbytne nagromadzenie pyłów wewnątrz obudowy może spowodować zagrożenie.
- o) Nie używać urządzenia w pobliżu materiałów łatwopalnych. Iskry mogą spowodować zapłon.
- p) Nie stosować osprzętu wymagającego chłodzenia cieczą. Stosowanie wody lub innych pł

nów chłodzących może spowodować porażenie prądem.

Dalsze instrukcje bezpieczeństwa do wszystkich zastosowań.

Odbicie urządzenia w wyniku blokady osprzętu w obrabianym materiale i związane z tym zagrożenia.

Odbicie urządzenia występuje w wyniku zakleszczenia lub zablokowania obracającej się tarczy, podkładek, szczołek lub innych akcesoriów w obrabianym materiale. Zablokowanie powoduje gwałtowne zatrzymanie obracającego się osprzętu co sprawia, że urządzenie w sposób niekontrolowany gwałtownie obróci się w kierunku przeciwnym do obrotów osprzętu.

Na przykład, jeśli tarcza zahaczy się lub zablokuje w obrabianym materiale, krawędź zablokowanej tarczy zagłębiając się w materiale może spowodować, że tarcza "wyskoczy" lub odbije się. Tarcza może wyskoczyć w stronę do operatora lub od operatora w zależności od kierunku ruchu w momencie zablokowania. Tarcze ścierne mogą w takich warunkach także pęknąć.

Odbicie urządzenia jest wynikiem błędnego zastosowania i/lub niepoprawnej obsługi i można go uniknąć stosując zalecenia opisane poniżej.

- a) Mocno trzymać urządzenie i zachować pozycję ciała pozwalającą kontrolować siły odbicia. **Zawsze używać uchwytu dodatkowego** co zapewni maksymalną kontrolę w przypadku odbicia lub reakcji bezwładnościowej podczas rozruchu. *Jeśli zostaną zastosowane odpowiednie środki zapobiegawcze operator jest w stanie kontrolować siły reakcji bezwładnościowej podczas rozruchu lub odbicia.*
- b) Nigdy nie zbliżać dłoni do rotującego osprzętu. *Akcesoria mogą niespodziewanie odbić w stronę zbliżonej dłoni.*
- c) Nie ustawiać się w pozycji w kierunku której występuje prawdopodobieństwo odbicia urządzenia. *Odbicie spowoduje obrót urządzenia w kierunku przeciwnym do obrotu tarczy w miejscu zablokowania.*
- d) Ze szczególną ostrożnością obrabiać narożniki, ostre krawędzie itp. **Unikać odbijania i blokowania osprzętu. Narożniki, ostre krawędzie ułatwiają zablokowanie osprzętu co może spowodować utratę kontroli lub odbicie urządzenia.**
- e) Nie stosować tarcz z łańcuchem do cięcia drewna ani zębatych tarcz tnących. *Takie tarcze powodują częste zagrożenie odbiciem i utratą kontroli nad urządzeniem.*
 - Mocować obrabiany detal w imadle lub w inny odpowiedni sposób.

Specjalne wskazówki bezpieczeństwa przy szlifowaniu:

- a) Używać wyłącznie zalecanych do danego urządzenia typów tarcz oraz odpowiedniej osłony. *Tarcze inne niż przeznaczone do danego modelu nie są odpowiednio chronione i są niebezpieczne.*
- b) Tarcze szlifierskie wygięte należy mocować w taki sposób, aby ich powierzchnia szlifująca nie wystawała poza krawędź pokrywy ochronnej. *Niefachowo osadzona tarcza szlifierska,*

wystająca poza krawędź pokrywy ochronnej nie może być wystarczająco osłonięta.

- c) Osłona tarczy musi być mocno dokręcona i ustawiona tak aby jak najmniejsza część odsłoniętej tarczy była skierowana w stronę operatora. *Osłona tarczy chroni operatora przed ewentualnymi odłamkami tarczy i przypadkowym kontaktem z obracającą się tarczą oraz iskrami, które mogą podpalić ubranie.*
- d) Należy używać tarczy wyłącznie zgodnie z przeznaczeniem. **Np. nie wolno szlifować płaszczyzną tarczy przeznaczonej do cięcia.** *Tarcze ścierne do cięcia przeznaczone są do cięcia obwodowego, siły przykładane z boku mogą spowodować rozpad tych tarcz podczas pracy.*
- e) **Zawsze używać nieuszkodzonych flansz o kształcie i średnicy odpowiadającej dobranej tarczy. Poprawnie dobrane flansze dokładnie zabezpieczają tarczę redukując możliwość jej uszkodzenia.** *Flansze tarcz do cięcia mogą się różnić od flansz tarcz do szlifowania.*

Dodatkowe wskazówki przy pracy



UWAGA: Przed podłączeniem urządzenia do zasilania upewnić się czy napięcie źródła zasilania odpowiada napięciu podanemu na tabliczce znamionowej urządzenia.

- Źródło zasilania o napięciu wyższym niż zaznaczone na tabliczce znamionowej może być przyczyną poważnych uszkodzeń ciała oraz uszkodzeń urządzenia.
- W przypadku wątpliwości nie podłączać urządzenia.
- Korzystanie ze źródła o niższym napięciu niż przedstawione na tabliczce znamionowej jest szkodliwe dla silnika.



Zawsze stosować ochronę wzroku, słuchu oraz maskę p.pyłową. Pył oraz cząsteczki powstałe podczas pracy mogą poważnie zagrozić zdrowiu.

- **Podczas pracy w zapyłonym środowisku, należy dbać o czystość otworów wentylacyjnych. W przypadku konieczności oczyszczenia pyłu, należy w pierwszej kolejności odłączyć urządzenia od zasilania (do usuwania pyłu należy stosować przyrządy niemetaliczne)** oraz dbać o nieuszkodzenie części wewnętrznych. *Urządzenie ulegnie przegrzaniu w wyniku osłabienia chłodzenia spowodowanego zablokowaniem otworów wentylacyjnych.*
- **Podczas prac, przy których elektronarzędzie mogłyby natrafić na ukryte przewody elektryczne lub na własny przewód, należy je trzymać tylko za izolowaną rękkojeść.** *Pod wpływem kontaktu osprzętu z przewodami będącymi pod napięciem, wszystkie części metalowe elektronarzędzia mogą również znaleźć się pod napięciem i spowodować porażenie prądem operatora.*



UWAGA: Przed każdą regulacją oraz wykonaniem prac serwisowych i konserwacyjnych, należy urządzenie wyłączyć i odłączyć od zasilania.

- Nigdy nie wyłączać urządzenia pod obciążeniem, można odłożyć dopiero po całkowitym zatrzymaniu obrotów.
- Przewód powinien być zawsze poza zasięgiem pracy tarczy urządzenia.
- Tarczę garnkowa dokręcać wyłącznie specjalnym kluczem, stosując oryginalną podkładkę oraz nakładkę mocującą.
- Nie używać uszkodzonych tarcz garnkowych.



UWAGA: Tarcza obraca się przez jakiś czas nawet po wyłączeniu urządzenia.

- Nie stosować bocznego nacisku w celu zatrzymania tarczy po wyłączeniu urządzenia.
- Zewnętrzne części metalowe oraz osprzęt mogą być gorące po ciągłej pracy.
- Tam gdzie to możliwe, stosować zaciski i imadła do zabezpieczenia obrabianego materiału.
- Po wyłączeniu urządzenia a przed odłożeniem, zawsze poczekać aż wrzeczono całkowicie zatrzyma się.
- Nie przeciążać urządzenia: pracować z umiarkowaną prędkością. Przeciążenie nastąpi w przypadku zbyt dużego nacisku, skutkuje to nieefektywną pracą i możliwością uszkodzenia silnika.
- W miejscu pracy nigdy nie zostawiać szmat, ubrań, przewodów, itp.
- Z obrabianej powierzchni należy usunąć wszelkie odpadki np. gwoździe, śruby, itp.
- Przed rozpoczęciem pracy, należy włączyć urządzenie na chwilę bez obciążenia. Pracować urządzeniem przynajmniej 20 cm od ciała.
- Zawsze dbać o stabilną postawę. W przypadku pracy na wysokościach upewnić się, że nikt nie stoi poniżej.
- Zawsze mocno trzymać urządzenie.
- Nie zbliżać dłoni do rotujących części. Nie dotykać tarczy ani obrabianego miejsca bezpośrednio po pracy – mogą być bardzo gorące i spowodować poważne oparzenia.
- Urządzenie może być stosowane wyłącznie zgodnie z przeznaczeniem. Każde zastosowanie inne niż opisane w niniejszej instrukcji będzie traktowane jako niezgodne z przeznaczeniem. Użytkownik, a nie producent będzie odpowiedzialny za wszelkie uszkodzenia lub obrażenia wynikłe z użycia niezgodnego z przeznaczeniem.
- W celu należytej obsługi urządzenia należy dokładnie zapoznać się z zasadami bezpieczeństwa, wskazówkami montażu oraz obsługi zawartymi w niniejszej instrukcji. Wszyscy użytkownicy i serwisanci muszą zostać zapoznani z niniejszą instrukcją obsługi oraz poinformowani o potencjalnych zagrożeniach.
- Dzieci oraz osoby postronne nie mogą używać niniejszego urządzenia. Jeśli w miejscu pracy znajdują się dzieci, muszą przez cały czas być pod opieką. Należy stosować się do lokalnych przepisów bezpieczeństwa

oraz bezpieczeństwa i higieny pracy.

- Producent wyłącza wszelką odpowiedzialność za jakiegokolwiek zmiany dokonane w urządzeniu oraz ewentualne szkody wynikłe z ich dokonania.

Nawet podczas pracy zgodnie z instrukcją, nie można całkowicie wyeliminować wszystkich czynników zagrożenia. W związku z konstrukcją urządzenia mogą pojawić się następujące zagrożenia:

- Uszkodzenia słuchu jeśli nie stosuje się ochrony
- Przed każdą regulacją oraz wykonaniem jakiegokolwiek prac serwisowych i konserwacyjnych, także wymiana tarczy, należy urządzenie wyłączyć i odłączyć od zasilania.
- Urządzenie nie może być stosowane podczas deszczu na wolnym powietrzu, lub w wilgotnym środowisku (np. po deszczu), a także w pobliżu łatwopalnych płynów lub gazów. Miejsce pracy powinno być dobrze oświetlone.

Podstawowe elementy

Przed użyciem urządzenia należy zapoznać się z wszystkimi jego funkcjami i wymogami bezpieczeństwa. Urządzenie oraz osprzęt można wykorzystywać wyłącznie zgodnie z przeznaczeniem. Wszelkie inne zastosowania są zabronione.

1. Wrzeczono
2. Osłona tarczy
3. Podkładka
4. Diamentowa tarcza czołowa
5. Płaska podkładka
6. Nakrętka
7. Włącznik / wyłącznik
8. Przycisk blokady wrzeciona
9. Uszczelka szczotkowa
10. Opaska zaciskowa
11. Uchwyt dodatkowy
12. Klucz
13. Śruby montażowe

Obsługa

Niniejsze elektronarzędzia są zasilane wyłącznie jednofazowym prądem zmiennym. Są podwójnie izolowane zgodnie z normami EN 60745-1, IEC 60745 i mogą być zasilane z uziemionych bądź niezziemionych źródeł. Tłumienie zakłóceń radiowych zgodnie z dyrektywą. Niniejsze urządzenie zostało zaprojektowane do zgrubnego i wykończeniowego szlifowania materiału betonowego oraz kamiennego w celu odnowienia powierzchni przed położeniem zapraw i powłok ochronnych. Urządzenie jest przeznaczone wyłącznie do szlifowania na sucho.

PRZED PIERWSZYM URUCHOMIENIEM

- Upewnić się czy źródło zasilania odpowiada wartościom podanym na tabliczce znamionowej z danymi technicznymi urządzenia.
- Zawsze sprawdzać pozycję włącznika/wyłącznika. Urządzenie wolno podłączyć do źródła zasilania do-

piero wtedy gdy włącznik/wyłącznik znajduje się w pozycji "Wyłączone".

- Sprawdzać czy przewód i wtyczka nie są uszkodzone. Jeśli konieczna jest wymiana przewodu, aby uniknąć niebezpieczeństwa należy tego dokonać w autoryzowanym serwisie producenta.



UWAGA: Przed każdą regulacją oraz wykonaniem jakichkolwiek prac serwisowych i konserwacyjnych, należy urządzenie wyłączyć i odłączyć od zasilania.

- Używając diamentowych tarcz tnących, należy zwrócić uwagę, by strzałka wskazująca kierunek, umieszczona na tarczy odpowiadała kierunkowi obrotów elektronarzędzia (por. strzałkę wskazującą kierunek obrotu, umieszczoną na głowicy elektronarzędzia).
- Zawsze używać uchwyt dodatkowy i mocno trzymać urządzenie oburącz aby zapewnić maksymalną kontrolę nad reakcją bezwładnościową oraz odbiciem podczas rozruchu. (Rys. 1)

Przed podłączeniem do zasilania, zawsze sprawdzić czy włącznik działa właściwie i czy wraca po zwolnieniu do pozycji "wyłączone".

1. W celu włączenia: Przesunąć suwak włącznika (7) do przodu aż do momentu zablokowania. (Rys. 2)
2. W celu wyłączenia: Nacisnąć uniesioną tylną część suwaka (7) i zwolnić nacisk umożliwiając powrót suwaka do pozycji początkowej. (Rys. 3)

FUNKCJE UKŁADU ELEKTRONICZNEGO

Niniejsze urządzenie jest wyposażone w następujące funkcje elektroniczne:

- Zabezpieczenie w przypadku spadku napięcia: W przypadku spadku napięcia (lub czasowego spadku napięcia na czas $t > 0,5$ s), gdy włącznik/wyłącznik znajduje się w pozycji "włączone", urządzenie nie zadziała po powrocie napięcia. Aby ponownie uruchomić urządzenie należy je wyłączyć i włączyć.
- Płynny rozruch i ochrona przeciążeniowa: Ta funkcja zapewnia płynny rozruch i chroni przed zmianami napięcia w sieci;
- Utrzymuje stałe obroty pod obciążeniem;
- Natychmiastowa ochrona przeciążeniowa: W przypadku nagłego zwiększenia obciążenia, włącza się ochrona przeciążeniowa, która znacznie redukuje prędkość obrotową. Aby powrócić do normalnego działania należy unieść urządzenie ponad obrabiany materiał.
- Ochrona termiczna: W przypadku długotrwałego mniejszego przeciążenia, włącza się ochrona termiczna. Układ elektroniczny wyłączy urządzenie przed osiągnięciem krytycznej temperatury, po ponownym włączeniu urządzenie uruchomi się w trybie bezpieczeństwa z niższą prędkością obrotową. Normalna praca urządzenia jest nieaktywna.
- W trybie bezpieczeństwa silnik pracuje na niskich obrotach zapewniając chłodzenie ale urządzenie jest nieaktywne. Po okresie chłodzenia przez 3-5 minut można ponownie używać urządzenie. Aby powrócić do normalnej pracy należy urządzenie wyłączyć i włączyć ponownie.

OSŁONA TARCZY

Osłona tarczy (2) musi zawsze być założona na urządzenie!

MONTAŻ, WYMIANA I REGULACJA TARCZY CZOŁOWEJ

Upewnij się, czy średnica i grubość tarczy nie przewyższa wartości podanych w specyfikacji technicznej. Maksymalna prędkość obrotowa podana na tarczy nie może być niższa niż prędkość bez obciążenia urządzenia. Unieruchomić wrzeciono (1) naciskając przycisk (8) na obudowie przekładni.



UWAGA: Nigdy nie naciskać przycisku (8) jeśli wrzeciono nadal obraca się!

Z docięniętym przyciskiem blokady wrzeciono, przekręcić wrzeciono aż do momentu gdy wyraźnie przycisk zagłębi się. Odkręcić nakrętkę (6) za pomocą dołączanego klucza (12).

IW widocznego przypadku zużycia tarczy, aby uzyskać optymalne odprowadzanie pyłów, możliwe jest dostosowanie pozycji tarczy czołowej.

Podczas montażu nowej tarczy należy zachować następującą kolejność nakładania na wrzeciono: podkładka (3); tarcza czołowa (4); nakrętka (6) skierowana płaską stroną do tarczy czołowej, tak jak pokazano na rys. 4.



UWAGA: Umieszczenie nakrętki (6) stroną wypukłą do tarczy uniemożliwi jej dokręcenie.

W przypadku gdy tarcza jest w połowie lub więcej zużyta, należy zachować następującą kolejność nakładania na wrzeciono: płaska podkładka (5); tarcza czołowa (4); nakrętka (6) skierowana wypukłą stroną do tarczy czołowej, tak jak pokazano na rys. 5.



UWAGA: Umieszczenie nakrętki płaską stroną do tarczy znacznie utrudni wycentrowanie tarczy powodując znaczne wibracje, które mogą skutkować obrażeniami ciała.



UWAGA: Po wymianie tarczy, włączyć na jedną minutę szlifierkę bez obciążenia przez co najmniej 30 sek. Wibrujące lub niepoprawnie rotujące tarcze muszą zostać natychmiast wymienione i wyrzucone.

W przypadku zmiany położenia tarczy należy dostosować lub wymienić uszczelkę szczotkową.

REGULACJA (WYMIANA) USZCZELKI SZCZOTKOWEJ

Uszczelka szczotkowa (9) zapewnia maksymalne zmniejszenie emisji pyłu do środowiska.

Uszczelka szczotkowa zużywa się wraz z tarczą. Jeśli to konieczne, przy wymianie tarczy można wymienić także uszczelkę szczotkową. Odkręcić śrubę opaski zaciskowej (10) i zdjąć starą uszczelkę. Umieścić nową

uszczelkę, dbając o to by krawędź osłony (2) dokładnie stykała się z gumą uszczelki. Założyć i zamocować opakę (10).

UCHWYT DODATKOWY

Uchwyt dodatkowy (11) jest przykręcony do obudowy przekładni za pomocą dwóch śrub. Uchwyt dodatkowy należy stosować zawsze i mocno trzymać urządzenie oburącz. (Rys. 1)

ODPROWADZANIE PYŁÓW

Niniejsze urządzenie może być używane wyłącznie z systemem odprowadzania pyłów, zawsze niosić atestowaną maskę p.pyłową. Zawsze upewniać się czy używany odkurzacz jest przeznaczony to odkurzania odpadów budowlanych. Podłączyć odkurzacz do przyłącza odprowadzania pyłu na osłonie tarczy.

We recommend using industrial vacuum cleaner with minimum technical parameters: airflow 60 l/s and created sub-pressure (vacuum) 180 mbar.

OSPRZĘT

Diamentowa tarcza czołowa Ø125 x Ø22.23 x 22 mm

UWAGA! Niniejsze akcesoria są zalecane do pracy z urządzeniem SPARKY wymienionym w niniejszej instrukcji. Stosowanie innego osprzętu może spowodować zagrożenie obrażeń. Osprzęt może być używany wyłącznie zgodnie z przeznaczeniem. W przypadku potrzeby większej ilości informacji nt. Osprzętu należy skontaktować się z lokalnym serwisem SPARKY.

Konserwacja



UWAGA: Przed każdą regulacją oraz wykonaniem jakichkolwiek prac serwisowych i konserwacyjnych, należy urządzenie wyłączyć i odłączyć od zasilania.

WYMIANA SZCZOTEK

Niniejsze urządzenia jest wyposażone w samo-odłączalne szczotki. Gdy szczotki węglowe zużyją się, urządzenie samoistnie wyłączy się. W tym wypadku obie szczotki muszą być jednocześnie wymienione na oryginalne szczotki SPARKY w autoryzowanym serwisie.

OGÓLNA KONTROLA

Regularnie sprawdzać czy wszystkie śruby mocujące są odpowiednio dokręcone. W przypadku poluzowania którejkolwiek ze śrub należy natychmiast je dokręcić aby uniknąć zagrożenia. Regularnie smarować ruchome części.

Jeśli śruby montażowe (13) poluzują się, należy je mocno dokręcić. Przed dokręceniem, na gwint każdej śruby należy dodać klej do śrub.

Jeśli konieczna jest wymiana przewodu, można to wykonać wyłącznie w autoryzowanym serwisie producenta aby uniknąć zagrożeń.

CZYSZCZENIE

Zawsze utrzymywać urządzenie i otwory wentylacyjne w czystości.

Regularnie sprawdzać otwory wentylacyjne i miejsca wokół włącznika. Za pomocą miękkiej szczotki lub sprężonego powietrza usuwać zebrany pył. Podczas czyszczenia stosować ochronę oczu.

W razie konieczności, zewnętrzne części plastikowe mogą być czyszczone wilgotną szmatką z łagodnym detergentem.



UWAGA: Nigdy nie stosować alkoholu, benzyny ani innych środków czyszczących. Nigdy nie używać substancji żrących do czyszczenia części plastikowych.



UWAGA: Nie dopuszczać do kontaktu urządzenia z wodą.

WAŻNE! Aby zapewnić bezpieczeństwo i niezawodność urządzenia, naprawy, konserwacje i regulacje (łącznie z kontrolą i wymianą szczotek) powinny być przeprowadzane w autoryzowanych serwisach z zastosowaniem oryginalnych części zamiennych.

Gwarancja

Okres gwarancji elektronarzędzi SPARKY jest określony w karcie gwarancyjnej produktu.

Usterki spowodowane normalnym zużyciem, przeciążeniem lub niewłaściwą obsługą, nie podlegają gwarancji. Uszkodzenia wynikłe z wady materiałowej lub błędów produkcyjnych zostaną usunięte bezpłatnie w drodze naprawy lub wymiany urządzenia.

Reklamacje uszkodzonych urządzeń SPARKY zostaną rozpatrzone jeśli zostaną dostarczone w stanie w jakim stwierdzono wadę, nie rozmontowane, wraz z dokumentem zakupu i kartą gwarancyjną do autoryzowanego serwisu lub punktu sprzedaży.

Informacja

Przed użyciem należy dokładnie przeczytać niniejszą instrukcję.

Producent zapewnia sobie prawo do wprowadzania zmian i udoskonaleń oraz zmian w specyfikacji bez uprzedzenia.

Specyfikacja może się różnić w zależności od kraju.

Содержание

Введение.....	68
Технические данные.....	70
Общие указания по безопасности при работе с электроинструментами.....	71
Дополнительные указания при работе с шлифователем по бетону.....	72
Знакомство с электроинструментом.....	75
Указания по работе.....	75
Техническое обслуживание.....	77
Гарантия.....	78

РАСПАКОВКА

В соответствии с общепринятыми технологиями производства вероятность обнаружения неисправности новоприобретенного Вами электроинструмента или нехватки какой-нибудь из его частей весьма мала. Если все-таки Вы обнаружите любое несоответствие, просим не начинать использование электроинструмента перед заменой неисправной части или устранения дефекта. Невыполнение этой рекомендации может быть причиной серьезных несчастных случаев.

СБОРКА

Шлифователь по бетону, в металлическом кейсе, поставляется в собранном виде, готовой к использованию.

Шлифователь по бетону, в пластмассовом кейсе, поставляется в собранном виде, с непручно затянутой дополнительной рукояткой. Установите дополнительную рукоятку в необходимую для работы позицию и закрутите (затяните) с помощью прилагаемого гаечного ключа.

Введение

Новоприобретенный Вами электроинструмент SPARKY превзойдет Ваши ожидания. Он произведен в соответствии с высокими стандартами качества SPARKY, отвечающими строгим требованиям потребителя. Его легко обслуживать и он безопасен при эксплуатации, при правильном использовании этот электроинструмент будет служить Вам долгие годы.

ПРЕДОСТЕРЕЖЕНИЕ!



Прочтите внимательно и целиком инструкцию по эксплуатации перед использованием новоприобретенного электроинструмента SPARKY. Обратите специальное внимание на параграфы, обозначенным словом “Предостережение”. У Вашего электроинструмента SPARKY много качеств, которые облегчают работу. При разработке этого инструмента основное внимание было направлено на безопасность, эксплуатационные качества и надежность, которые облегчают его обслуживание и эксплуатацию.



Не выбрасывайте электроинструменты вместе с бытовыми отходами!

Отходы от электрических изделий не следует собирать вместе с бытовыми отходами. Пожалуйста, рециклируйте в местах, предназначенных для этого. Свяжитесь с местными властями или представителем для консультации касательно рециклирования.



ОХРАНА ОКРУЖАЮЩЕЙ СРЕДЫ

С учетом охраны окружающей среды электроинструмент, принадлежности и упаковка должны подвергнуться подходящей переработке для повторного использования содержащегося в них сырья. Для облегчения рециклирования деталей, произведенных из искусственных материалов, они обозначены соответствующим образом.

ОПИСАНИЕ СИМВОЛОВ

На табличке с данными электроинструмента нанесены специальные символы. Они представляют собой важную информацию об использовании инструмента и его характеристиках.



Двойная изоляция для дополнительной защиты



Присоединительная резьба шпинделя: M14



Соответствует релевантным европейским директивам



Соответствует требованиям украинским нормативным документам



Соответствует требованиям правил Таможенного союза



Ознакомьтесь с инструкцией по эксплуатации

YYYY-Www

Период производства, где переменные символы означают:
YYYY - год производства, ww – очередная календарная неделя

FB

ШЛИФОВАТЕЛЬ ПО БЕТОНУ

Технические данные

Модель:	FB 514
• Потребляемая мощность	1400 W
• Номинальное число оборотов	10500 min ⁻¹
• Присоединительная резьба шпинделя	M14
• Длина резьбы шпинделя	20 mm
• Диаметр внутреннего отверстия чашечного круга	Ø22,23 mm
• Максимальный диаметр чашечного круга	Ø125 mm
• Максимальная толщина нового чашечного круга	22 mm
• Диаметр отверстия для присоединения пылеотвода	Ø35 mm
• Габариты:	
длина	325 mm
ширина	190 mm
высота	200 mm
• Вес (EPTA процедура 01/2014)	3,1 kg
• Класс защиты (EN 60745-1) <input type="checkbox"/>	II

ИНФОРМАЦИЯ О ШУМЕ И ВИБРАЦИЯХ

Значения замерялись в соответствии со стандартом EN 60745.

Излучение шума

А-взвешенный уровень звукового давления L _{ра}	90 dB (A)
Неопределенность K _{ра}	3 dB (A)
А-взвешенный уровень звуковой мощности L _{WA}	101 dB (A)
Неопределенность K _{WA}	3 dB (A)

Используйте средства для защиты от шума!

Излучение вибраций *

Суммарные значения вибраций (векторная сумма трех направлений) определенные в соответствии с EN 60745:

Шлифование бетона

Значение излученных вибраций a _h	5,8 m/s ²
Неопределенность K	1,5 m/s ²

* Уровень вибраций измерен в соответствии с т.6.2.7 EN 60745-1

Указанный в настоящую инструкцию уровень вибраций измерен в соответствии с установленную EN 60745 методику испытаний и может использоваться для сравнения электроинструментов. Уровень вибраций может использоваться для предварительной оценки воздействия.

Указанный уровень вибраций дан при условии использования инструмента по его прямому назначению. В тех случаях, когда электроинструмент используется для других целей, с другими принадлежностями, уровень вибраций может отличаться от указанного. В этих случаях уровень воздействия может значительно возрасти в рамках общего периода работы.

Для точной оценки воздействия вибраций во время определенного периода работы необходимо учитывать промежутки времени, в которые электроинструмент выключен, либо хотя и включен, но фактически не используется. Это может существенно сократить воздействия вибраций в течение всего периода работы. Сохраняйте электроинструмент и его принадлежности в хорошем состоянии. Во время работы старайтесь сохранять руки теплыми - это поможет уменьшить вредное воздействие при работе с повышенной вибрацией.

Пыль материалов, как с краски с содержанием свинца, некоторых сортов древесины, минералов и металла может быть вредной для здоровья. Прикосновение к пыли и попадание пыли в дыхательные пути может вызвать аллергические реакции и/или заболевания дыхательных путей оператора или находящегося вблизи персонала.

Определенные виды пыли, как из дуба и бука, считаются канцерогенными, особенно, совместно с присадками для обработки древесины (хромат, средство для защиты древесины). Материал с содержанием асбеста разрешается обрабатывать только специалистам.

- По возможности применяйте отсос пыли.
- Для достижения максимально высокой эффективности собирания пыли при работе с данным электроинструментом, используйте пылесос, предназначенный для сбора пыли из древесины или для пыли из древесины и/или минеральной пыли.
- Следите за хорошей вентиляцией.
- Рекомендуется пользоваться дыхательной защитной маской с фильтром класса P2.

Соблюдайте действующие в Вашей стране предписания для обрабатываемых материалов.

Общие указания по безопасности при работе с электроинструментами



ПРЕДОСТЕРЕЖЕНИЕ! Прочитайте все предупреждения и указания по безопасности. Несоблюдение предупреждений и указаний по безопасности может привести к поражению электрическим током, от пожара и/или серьезные ранения.

Сохраните все предупреждения и указания для дальнейшего использования.

Термин “электроинструмент” во всех указанных ниже предупреждениях касается вашего электроинструмента, с питанием от сети (с кабелем) и/или электроинструмент с питанием от аккумуляторной батареи (без кабеля).

1. БЕЗОПАСНОСТЬ РАБОЧЕГО МЕСТА

- Содержите рабочее место в чистоте и хорошо освещенным. Беспорядок и недостаточное освещение являются предпосылками трудовых инцидентов.
- Не работайте с электроинструментами во взрывоопасной атмосфере при наличии воспламеняющихся жидкостей, газов или пыли. Электроинструменты создают искры, которые могут воспламенить пыль или пары.
- Держите детей и посторонних лиц на расстоянии, когда работаете с электроинструментом. Рассеивание может привести к потере контроля с Вашей стороны.

2. ЭЛЕКТРИЧЕСКАЯ БЕЗОПАСНОСТЬ

- Штепселя электроинструментов должны соответствовать контактным гнездам. Никогда не меняйте штепсель каким-либо способом. Не используйте какие-либо адаптерные штепселя для электроинструментов с защитным заземлением. Использование оригинальных штепселей и соответствующим им контактов уменьшает риск от удара электрическим током.
- Избегайте соприкосновения тела с землей или с заземленными поверхностями, такими как трубы, радиаторы, кухонные плиты и холодильники. Если ваше тело заземлено, существует повышенный риск поражения электрическим током.
- Не оставляйте электроинструменты под дождем или во влажной среде. Проникновение воды в электроинструменты повышает риск от поражения электрическим током.
- Используйте кабель по назначению. Никогда не используйте кабель для переноса электроинструмента, натягивания или отключения штепселя из контактного гнезда. Держите кабель далеко от тепла,

масла, острых углов или движущихся частей. Поврежденные или запутанные кабели повышают риск от поражений электрическим током.

- Во время наружной работы с электроинструментом используйте удлинитель, подходящий для этих целей. Использование удлинителя, предназначенного для внешних/наружных работ, уменьшает опасность от поражения электрическим током.
- В случае, если работа с электроинструментом во влажной среде неизбежна, используйте предохранительное устройство, которое задействовано от остаточного тока для прерывания подачи тока. Использование предохранительного устройства уменьшает риск от поражения электрическим током.

3. ЛИЧНАЯ БЕЗОПАСНОСТЬ

- Будьте бдительны, работайте с повышенным вниманием и проявляйте благоразумие, когда работаете с электроинструментом. Не используйте электроинструмент, когда вы устали или находитесь под влиянием наркотиков, алкоголя или медикаментов. Момент невнимания при работе с электроинструментом может привести к серьезной производственной травме.
- Используйте индивидуальные средства защиты. Носите всегда защитные очки. Индивидуальные средства защиты, такие как маска против пыли, нескользкая обувь, защитный шлем или средства для защиты слуха, используемые в конкретных условиях, снижают риск от производственных травм.
- Избегайте невольного пуска инструмента. Убедитесь, что выключатель находится в положении „выключено” перед включением к источнику питания и/или аккумуляторной батарее перед тем, как его возьмете в руки или переносите. Ношение электроинструмента с пальцем на выключателе или подключении к источнику питания электроинструмента с выключателем во включенном положении является предпосылкой для производственной травмы.
- Удалите каждый ключ для затягивания или гаечный ключ перед включением электроинструмента. Ключ для затягивания или гаечный ключ, прикрепленный к вращающейся части электроинструмента, может привести к трудовому инциденту.
- Не перетягивайтесь. Поддерживайте правильное положение и равновесие в течение всей работы. Это позволит лучше управлять электроинструментом при неожиданных ситуациях.
- Носите подходящую рабочую одежду. Не носите широкую одежду или украшения. Держите свои волосы, одежду и перчатки далеко от движущихся частей. Широкая одежда, бижутерия или длинные волосы могут попасть в движущиеся части.

- g) Если электроинструмент снабжен приспособлением для пыли, убедитесь, что они правильно установлены и правильно используются. *Использование этих устройств может понизить связанные с пылью опасности.*

4. ЭКСПЛУАТАЦИЯ И УХОД ЗА ЭЛЕКТРОИНСТРУМЕНТАМИ

- a) Не перегружайте электроинструмент. Используйте правильно выбранный электроинструмент согласно его назначению. *Правильно подобранный электроинструмент работает лучше и безопаснее для объема работ, для которого он спроектирован.*
- b) Не используйте электроинструмент в случае, если выключатель не переключается во включенное и исключенное положение. *Каждый электроинструмент, который не может управляться с помощью его выключателя, опасен и подлежит ремонту.*
- c) Отключите штепсель от электросети перед тем, как начать любые настройки, перед заменой принадлежностей или перед тем, как убрать электроинструмент для хранения. *Эти меры предосторожности снижают риск невольного пуска электроинструмента.*
- d) Сохраняйте неиспользованные электроинструменты в местах, недоступных для детей и не позволяйте обслуживающему персоналу, который не знаком с электроинструментом или инструкциями по эксплуатации, работать с ним. *Электроинструменты являются опасными в руках необученных потребителей.*
- e) Проверяйте электроинструменты. Проверяйте, работают ли нормально и движутся ли свободно движущиеся части, находятся ли в целости и исправности части, а также проверяйте все прочие обстоятельства, которые могут неблагоприятно повлиять на работу электроинструмента. Если он поврежден, электроинструмент необходимо отремонтировать перед его дальнейшим использованием. *Многие инциденты происходят от плохо обслуженных электроинструментов.*
- f) Поддерживайте режущие инструменты острыми и чистыми. *Правильно поддержанные режущие инструменты с острыми режущими кромками реже блокируются и проще управляются.*
- g) Используйте электроинструмент, принадлежности и части инструмента и т.д. в соответствии с этими инструкциями и способом, предусмотренным для конкретного типа электроинструмента, имея в виду рабочие условия и работу, которую необходимо выполнять. *Использование электроинструмента для работы не по назначению может привести к опасной ситуации.*

5. ОБСЛУЖИВАНИЕ

- a) Ремонтуйте ваш электроинструмент у квалифицированного специалиста по ремонту, при этом используйте только оригинальные запасные части. *Это обеспечивает сохранение безопасности электроинструмента.*

Дополнительные указания при работе с шлифователем по бетону

Общие указания безопасности по шлифованию:

- a) Настоящий электроинструмент может использоваться в качестве шлифовальной машины. Прочитайте внимательно все указания по безопасности, инструкции, иллюстрации и данные, которые Вы получили с электроинструментом. *Несоблюдение указаний по безопасности может привести к поражению электрическим током, возникновению пожара и/или получению серьезных травм.*
- b) Данный электроинструмент не пригоден для шлифования наждачной бумагой, работ с проволочными щетками, для полирования и отрезных работ. *Применение этого электроинструмента для работ, для которых он не предусмотрен, может стать причиной опасностей и травм.*
- c) Не пользуйтесь принадлежностями, которые не разрешены и не рекомендуются производителем специально для данного электроинструмента. *Возможность крепления принадлежности к Вашему электроинструменту, не гарантирует безопасного применения.*
- d) Допустимое число оборотов принадлежности должно быть не менее указанного на электроинструменте максимального числа оборотов. *Принадлежности, которые вращаются со скоростью, превышающей их номинальную скорость, могут разбиться и разлететься в пространстве.*
- e) Наружный диаметр и толщина рабочего инструмента должны быть не менее указанных размеров Вашего электроинструмента. *Принадлежности с неподходящими размерами не могут быть защищены или контролироваться в достаточной степени.*
- f) Сменные рабочие инструменты с резьбой должны точно подходить к резьбе шлифовального шпинделя. В сменных рабочих инструментах, монтируемых с помощью фланца, диаметр отверстий рабочего инструмента должен подходить к диаметру отверстий во фланце. *Сменные рабочие инструменты, которые не точно крепятся на электроинструменте, вращаются неравномерно, очень сильно вибрируют и могут вы-*

йти из-под контроля.

- g) Не применяйте поврежденные принадлежности. Перед каждым использованием проверяйте принадлежность - шлифовальные диски на зазубрины и трещины, эластичные диски на трещины, разрывы или сильный износ, проволочные щетки на незакрепленные или поломанные проволоки. При случайном падении электроинструмента или принадлежности, проверяйте инструмент на повреждения или установите неповрежденную принадлежность. После проверки и установки принадлежности, Вы и находящиеся вблизи лица, займите место за пределами плоскости вращения принадлежности и оставьте электроинструмент поработать на максимальных оборотах на холостом ходу в течение одной минуты. Обычно этого времени достаточно для того, чтобы поврежденные принадлежности сломались.
- h) Применяйте средства индивидуальной защиты. В зависимости от конкретного случая, пользуйтесь защитным щитком для лица или защитными очками. В случае необходимости используйте противопылевой респиратор, средства защиты слуха, защитные печатки или специальный халат, который задерживает мелкие частицы от шлифовальной принадлежности или обрабатываемой детали. Средства для защиты глаз должны защищать их от различных летящих предметов, возникающих при различных операциях. Противопылевой респиратор и газозащитные маски органов дыхания должны задерживать при работе пыль. *Продолжительное воздействие сильного шума может привести к потере слуха.*
- i) Следите за тем, чтобы все лица находились на безопасном расстоянии от Вашего рабочего участка. Каждое лицо, находящееся в пределах рабочего участка, должно носить средства индивидуальной защиты. *Летающие осколки от обрабатываемых деталей или от сломанной принадлежности могут отлететь в сторону и причинить травму даже за пределами непосредственного рабочего участка.*
- j) В случае потенциальной возможности касания режущей принадлежности до скрытой электропроводки, держите электроинструмент только за изолированные поверхности рукояток. *Контакт принадлежности с токоведущим проводом ставит под напряжение также открытые металлические части электроинструмента и может привести к поражению оператора электрическим током.*
- k) Держите шнур подключения питания в стороне от вращающейся принадлежности. *Если Вы потеряете контроль над электроинструментом, то шнур может быть порезан или захвачен вращающейся частью и Ваша кисть может попасть под вращаю-*

щийся инструмент.

- l) Никогда не выпускайте электроинструмент из рук, пока принадлежность полностью не прекратит вращаться. *Вращающаяся принадлежность может задеть обрабатываемый материал и в результате Вы потеряете контроль над электроинструментом.*
- m) Выключайте электроинструмент при транспортировке. *Ваша одежда может быть случайно захвачена принадлежностью, что может нанести Вам травму.*
- n) Регулярно очищайте вентиляционные отверстия электроинструмента. *Вентилятор электродвигателя засасывает пыль в корпус, а чрезмерное скопление металлической пыли может привести к опасности от поражения электрическим током.*
- o) Не пользуйтесь электроинструментом вблизи горючих материалов. *Искры могут воспламенить эти материалы.*
- p) Не применяйте принадлежности, работа с которыми требует использование охлаждающих жидкостей. *Применение воды или других охлаждающих жидкостей может привести к поражению или удару электрическим током.*

Другие указания по безопасности всех операций

Обратный удар (отскок) и связанные с ним указания по безопасности

Обратный удар - это внезапная реакция, являющаяся следствием заклинивания или блокировки принадлежности, например шлифовального диска, эластичного диска, проволочной щетки и т.п. Заклинивание или блокировка водит до внезапной остановки вращения принадлежности, которое со своей стороны выталкивает неконтролируемый электроинструмент в сторону, противоположную направлению вращения рабочего инструмента в точке заклинивания.

Например, если шлифовальный диск заклинит или блокирует в деталь (заготовку) то погруженная в заготовку кромка шлифовального диска застревает, вследствие чего диск может сломаться или спровоцировать отскок. Шлифовальный диск отскакивает к оператору или от него, в зависимости от направления вращения диска в месте блокировки. В этом случае шлифовальные диски могут сломаться.

Обратный удар является следствием неправильного использования и/или неправильной эксплуатации или условий работы с электроинструментом, и может быть предотвращен благодаря нижеописанным мерам предосторожности.

- a) Держите крепко электроинструмент, примите подходящую позу и поставьте руки таким образом, чтоб Вы смогли противодействовать силе обратного удара. Всегда используйте дополнительную рукоятку при ее наличии, чтобы как можно лучше противодействовать и осуществлять контроль над силой отскока или реактивным моментом при запуске. *Благодаря правильным мерам предосторожности оператор*

может овладеть реактивным моментом и отскоком.

- b) Ваши руки никогда не должны быть вблизи вращающейся принадлежности. Принадлежность может отскочить и попасть на Ваши руки.
- c) Держитесь в стороне от участка, в котором электроинструмент может двигаться при обратном ударе. Отскок ведет электроинструмент в направлении, противоположное движению шлифовального диска в месте блокировки.
- d) При обработке углов, острых кромок и проч., работайте с повышенным вниманием. Не позволяйте принадлежности отскакивать или блокировать деталь. При обработке углов и острых кромок имеется вероятность заклинивания вращающейся принадлежности, что может причинить потерю контроля или отскок.
- e) Не используйте ценные или циркулярные диски для обработки древесины. Данные принадлежности часто являются причиной отскока или потери контроля над электроинструментом.
 - Фиксируйте положение обрабатываемой детали в тисках или иным подходящим способом.

Специальные указания по безопасности по шлифованию

- a) Используйте только рекомендованные для данного электроинструмента диски с предвиденным для них предохранителем. Диски, не предусмотренные для данного электроинструмента, не могут быть достаточно экранированы и небезопасны.
- b) Изогнутые шлифовальные круги необходимо монтировать таким образом, чтобы их шлифовальная поверхность не выступала за край защитного кожуха. Неправильно смонтированный шлифовальный круг, выступающий за край защитного кожуха, не прикрывается достаточным образом.
- c) Защитный кожух должен закрепляться надежно к электроинструменту и настроен так, чтобы обеспечивать максимальную безопасность, т.е. в сторону оператора должна быть открыта как можно меньшая часть диска. Защитный кожух должен защищать оператора от осколков, случайного контакта с диском и искр, которые смогли бы поджечь одежду.
- d) Диски необходимо применять только для рекомендуемых работ. Например, никогда не шлифуйте боковой поверхностью отрезного диска. Отрезные диски предназначены для съема материала по кромке диска. Боковое давление на такой диск может привести к его поломке.
- e) Всегда применяйте неповрежденные затягивающие фланцы с подходящими размерами и формой для выбранного диска. Правильно выбранные затягивающие фланцы закрепляют диск и уменьшают вероятность

его поломки. Затягивающие фланцы для отрезных дисков могут различаться от затягивающих фланцев для других видов дисков.

Дополнительные указания по безопасности



ПРЕДОСТЕРЕЖЕНИЕ: Перед подключением электроинструмента к сети питания, убедитесь в том, что напряжение питания соответствует указанное на табличке с техническими данными электроинструмента.

- Источник питания с напряжением выше указанного для электроинструмента, может вызвать как серьезное поражение электрическим током оператора, так и повреждение электроинструмента.
- Если Вы испытываете некие колебания, не включайте штепсель электроинструмента в розетку.
- Использование источника питания с напряжением ниже обозначенного на табличке электроинструмента, повредит электродвигатель.



Всегда носите защитные очки и антифоны и используйте пылезастыную маску. Выделяемая во время работы пыль и абразивные частицы, могут нанести серьезный вред Вашему здоровью.

- При работе в пыльной среде вентиляционные отверстия машины следует поддерживать в чистоте. Если необходимо удалить пыль, вначале следует отключить электропитание. Удалять пыль следует неметаллическими предметами для чистки пыли, предохраняя внутренние детали машины от повреждений. Электроинструмент будет перегреваться при нарушении охлаждения вследствие пыльных вентиляционных отверстий.
- В случае потенциальной возможности касания режущей принадлежности до скрытой электропроводки или до собственного питающего шнура, держите электроинструмент только за изолированные поверхности рукояток. Контакт принадлежности с токоведущим проводом ставит под напряжение также открытые металлические части электроинструмента и может привести к поражению оператора электрическим током.
- Всегда выключайте электроинструмент и вытаскивайте штепсель из розетки перед тем, как приступить к любой настройке, обслуживанию или уходу.
- После продолжительной работы внешние металлические части и принадлежности могут нагреться
- По возможности всегда используйте скобы или верстак для закрепления обрабатываемой детали.
- Всегда выключайте шлифовальную машину перед тем как переместить ее в сторону.
- Не перегружайте машину: работайте с умеренной скоростью. Перегрузка является результатом приложения чрезмерного нажатия, при котором

электродвигатель замедляет свое вращение, это является предпосылкой неэффективной работы и возможного повреждения электродвигателя машины.

- В рабочей зоне никогда не следует оставлять тряпки, шнуры, паклю и пр.
- Предварительно устраните с обрабатываемой поверхности все гвозди, винты и пр.
- Перед тем, как использовать электроинструмент на конкретной поверхности, включите и оставьте его поработать определенное время. Во время работы электроинструмент должен находиться не менее, чем в 200 мм от лица и тела.
- Всегда поддерживайте стабильное положение своего тела. Когда работаете с электроинструментом на высоте, убедитесь, что под Вами никого нет.
- Крепко держите электроинструмент.
- Берегите свои руки от вращающихся частей. Не дотрагивайтесь до алмазного чашечного круга или обрабатываемой детали сразу после работы - они могут быть чрезвычайно горячими и Вы можете получить ожоги кожи.
- Электроинструмент следует использовать только по назначению. Любое другое использование, отличающееся от описанного в настоящей инструкции, будет считаться неправильным использованием. Ответственность за любое повреждение или ущерб, происходящие от неправильного использования, будет нести потребитель, а не производитель
- Чтобы использовать этот электроинструмент правильно, следует соблюдать требования по безопасности, указания по монтажу и инструкции по эксплуатации, описанные в настоящем документе. Все лица, которые используют или обслуживают эту машину, должны быть ознакомлены с настоящей инструкцией и быть информированными о возможных опасностях, связанных с этим электроинструментом. Запрещается использование детьми и немощными лицами этого электроинструмента. Дети должны находиться под постоянным наблюдением, если они находятся в рабочей зоне. Обязательно следует соблюдать правила безопасной работы, действующие в Вашей стране. То же самое касается и основных правил профессионального здравоохранения и техники безопасности.
- Производитель не несет ответственности ни за какие изменения, осуществленные по инструменту, и за простейшие из этого повреждения.

Даже когда электроинструмент используется согласно предписанию, невозможно элиминировать все остаточные факторы риска.

Могут возникнуть следующие опасности, связанные с конструкцией и дизайном электроинструмента:

- Повреждение слуха, если не использовать эффективные антифоны.
- Всегда вынимайте штепсель из сети питания перед осуществлением любых настроек или процедур по техническому обслуживанию, включительно замене рабочих принадлежностей.
- Электроинструмент не следует использовать

под открытым небом при дождливой погоде, во влажной среде (после дождя) или вблизи легко воспламеняющихся жидкостей и газов. Рабочее место должно быть хорошо освещено.

Знакомство с электроинструментом

Перед началом работы со шлифователем ознакомьтесь со всеми оперативными особенностями и условиями безопасности.

Используйте электроинструмент и его принадлежности только по назначению. Любое другое приложение категорически запрещается.

1. Шпиндель
2. Предохранитель чашечного круга
3. Упорная шайба
4. Чашечный круг с алмазными сегментами
5. Упорная шайба плоская
6. Затягивающая гайка
7. Выключатель
8. Кнопка для стопора шпинделя
9. Уплотнительная щетка
10. Закрепляющая скоба
11. Дополнительная рукоятка
12. Ключ специальный
13. Винт

Указания по работе

Эти электроинструменты питаются однофазным переменным напряжением. Они оснащены двойной изоляцией согласно EN 60745-1 и IEC 60745 и могут присоединяться к контактам без защитных клемм. Радиопомехи соответствуют Директивы Европейского парламента и Совета относительно электромагнитной совместимости.

Этот электроинструмент предназначен для грубого и тонкого шлифования бетона и скального материала в целях очистки перед нанесением замазок и защитных покрытий. Машина предназначена только для сухого шлифования.

ПЕРЕД НАЧАЛОМ РАБОТЫ

- Проверьте, соответствует ли напряжение электрической сети напряжению, обозначенному на табличке с техническими данными электроинструмента.
- Проверьте, в каком положении находится выключатель. Электроинструмент должен присоединяться и отсоединяться от сети питания только при выключенном выключателе.
- Убедитесь в исправности кабеля питания и штепселя. Если кабель питания поврежден, замена должна быть осуществлена производителем или его сервисным специалистом, во избежание опасностей, которыми чревата замена.



ПРЕДОСТЕРЕЖЕНИЕ: Всегда выключайте электроинструмент и вытаскивайте штепсель из розетки перед тем, как осуществлять любую настройку, обслуживание или уход.

- При применении алмазных отрезных кругов следите за тем, чтобы стрелка направления вращения на алмазном отрезном круге соответствовала направлению вращения электроинструмента (см. стрелку на редукторной головке).
- Всегда используйте дополнительную рукоятку и всегда держите машину обеими руками для максимального контроля обратного удара или вертящейся реакции при пуске. (Рис. 1)

ПУСК - ВЫКЛЮЧЕНИЕ

Перед включением электроинструмента в сеть питания всегда проверяйте, правильно ли задействован выключатель и возвращается ли он в положение "Выключено", после своего освобождения.

1. Для пуска электроинструмента, ползун (7) перемещается вперед, до тех пор, пока его передняя часть не войдет внутрь и застопорится. (Рис. 2)
2. Для выключения электроинструмента, нажмите на задний, приподнятый конец ползуна (7) и оставьте его, чтобы он самостоятельно вернулся назад в исходное положение. (Рис. 3)

ЭЛЕКТРОННОЕ УСТРОЙСТВО

В электроинструмент вмонтировано электронное устройство, выполняющее следующие функции:

- Защита против падения напряжения. В случае выключения напряжения сети питания на время $t > 0,5 \text{ s}$, инструмент перестает работать даже и при застопоренном в рабочем положении выключателе. Для восстановления нормального функционирования электроинструмента в таком случае необходимо выключить пусковой выключатель и после этого снова включить его.
- Плавный пуск и ограничение пускового тока. Такой пуск обеспечивает начало работы машины без толчка и предотвращает возникновение колебаний напряжения в сети питания;
- Поддержание постоянных оборотов в широком диапазоне нагрузки;
- Защита от кратковременной перегрузки. При больших кратковременных перегрузках включается токовый соединитель, который резко снижает обороты электроинструмента. Для восстановления нормальной работы, отодвиньте электроинструмент от материала.
- Температурная защита. При меньших, но продолжительных по времени перегрузках начинает действовать температурная защита. Перед достижением критической температуры электроника выключает машину, и она переходит из рабочего в защитный режим с пониженными оборотами двигателя. Машина становится неработоспособной. В защитном режиме двигатель вращается с пониженными оборотами, чтобы ускорить охлаждение, но машина НЕРАБОТО-

СПОСОБНА. За 3-5 минут машина охлаждается и снова становится работоспособной. Для приведения в рабочий режим необходимо выключить и снова включить выключатель.

ПРЕДОХРАНИТЕЛЬ ЧАШЕЧНОГО КРУГА

Предохранитель (2) чашечного круга должен быть всегда монтирован в машине!

МОНТАЖ, ЗАМЕНА И РЕГУЛИРОВАНИЕ ПОЛОЖЕНИЯ ЧАШЕЧНОГО КРУГА

Убедитесь в том, что диаметр и толщина чашечного круга не больше указанных в технических данных. Обозначенные на круге допустимые максимальные обороты не должны быть ниже оборотов машины на холостом ходу.

Шпиндель (1) шлифовальной машины фиксируется посредством нажатия на кнопку (8), расположенную на редукторной коробке.



ПРЕДОСТЕРЕЖЕНИЕ: Не допускается нажатие на кнопку (8) во время вращения шпинделя.

При нажатии на кнопку шпиндель начинает вращаться до отчетливого вдавливания кнопки внутрь. Гайка (6) раскручивается с помощью специального ключа (12).

Ввиду изнашивания чашечного круга и для достижения оптимальной работы пылеотвода предусмотрена возможность регулирования положения чашечного круга.

При закреплении нового чашечного круга, расположите элементы на шпинделе машины в следующем порядке: шайба упорная (3); чашечный круг (4); гайка, затягивающая (6) с освобожденной частью к кругу, как это показано на Рис. 4.



ПРЕДОСТЕРЕЖЕНИЕ: Вставление гайки (6) выпуклой частью к кругу доведет до невозможности затягивания чашечного круга.

При изношенном наполовину и более круге, расположите элементы на шпинделе машины в следующем порядке: шайба упорная плоская (5); чашечный круг (4); гайка затягивающая (6) выпуклой частью к кругу, как это показано на Рис. 5.

ВНИМАНИЕ: При вставлении гайки (6) освобожденной частью к кругу, последний не будет центрирован и это доведет до сильных вибраций, что является предпосылкой травмы.



ПРЕДОСТЕРЕЖЕНИЕ: После замены чашечного круга включите машину с новым кругом минимум на 30 секунд на холостой ход. Вибрирующие или неправильно вращающиеся чашечные круги следует незамедлительно заменить.



При изменении положения чашечного круга, в случае необходимости, регулируйте положение или замените уплотняющую щетку.

РЕГУЛИРОВАНИЕ ПОЛОЖЕНИЯ (ЗАМЕНА) УПЛОТНЯЮЩЕЙ ЩЕТКИ

Щетка (9) служит для уменьшения до минимума выброса пыли в окружающую среду. Она изнашивается с изнашиванием чашечного круга. При вставлении нового чашечного круга, в случае необходимости замените и уплотняющую щетку. Ослабьте винт скобы (10) и уберите старую щетку. Поставьте новую, причем край предохранителя (2) должен соприкоснуться со ступенькой щетки. Вставьте обратно скобу (10) и затяните ее.

ДОПОЛНИТЕЛЬНАЯ РУКОЯТКА

Дополнительная рукоятка (11) прикреплена к редуктору машины посредством двух винтов. Всегда используйте дополнительную рукоятку и всегда держите машину обеими руками. (Рис. 1)

РАБОТА С ПЫЛЕОТВОДОМ

Электроинструмент должен эксплуатироваться только с пылеотводом. Следует носить дополнительно маску для защиты от пыли. Пылесос должен быть подходящим для всасывания пыли с камней. Пылесос присоединяется к пылеотводной трубе предохранителя. Рекомендуем использовать пылесос в промышленных целях с минимальными техническими характеристиками: дебит 60 л/с и создаваемое давление (вакуум) 180 mbar.

ПРИНАДЛЕЖНОСТИ, КОТОРЫЕ МОГУТ ИСПОЛЬЗОВАТЬСЯ С ЭТИМ ЭЛЕКТРОИНСТРУМЕНТОМ

Чашечный круг с абразивными сегментами Ø125 x Ø22.23 x 22.

ПРЕДОСТЕРЕЖЕНИЕ: Для работы с Вашим электроинструментом рекомендуются вышеуказанные принадлежности или приспособления. Использование принадлежностей или приспособлений, отличающихся от указанных, является предпосылкой производственной травмы. Используйте принадлежности или приспособления только по назначению. Если Вы нуждаетесь в дополнительной информации в связи с этими принадлежностями, обратитесь в местный сервис SPARKY.

Техническое обслуживание



ПРЕДОСТЕРЕЖЕНИЕ: Всегда выключайте электроинструмент и вытаскивайте штепсель из розетки перед каждой проверкой или осуществлением ухода.

ЗАМЕНА ЩЕТОК

Электроинструмент оснащен самовыключающимися щетками. Когда щетки изнашиваются, обе щетки следует сменить одновременно оригинальными щетками в сервисе SPARKY по гарантийному и внегарантийному обслуживанию.

ОБЩАЯ ПРОВЕРКА

Проверяйте регулярно все элементы крепления и убедитесь в том, что они крепко затянуты. В том случае, если какой-либо винт ослаблен, незамедлительно затяните его во избежание рисков ситуаций. В случае, если винты (13) будут ослаблены, их необходимо крепко завинтить, при этом каждый винт предварительно должен быть смазан клеем для резьбовых соединений по резьбе.

Регулярно смазывайте все движущиеся части. Если кабель питания поврежден, замена должна быть осуществлена производителем или его сервисным специалистом во избежание опасностей, связанных с заменой.

УБОРКА

Для безопасной работы всегда содержите машину и вентиляционные отверстия в чистоте. Регулярно проверяйте, не проникли ли в вентиляционные отверстия электродвигателя или около переключателей пыль или инородные тела. Используйте мягкую щетку и/или струю сжатого воздуха, чтобы устранить накопившуюся пыль. Для защиты глаз во время уборки носите защитные очки. Если корпус машины нужно почистить, протрите его мягкой влажной тряпкой. Можно использовать слабый препарат для мытья.



ПРЕДОСТЕРЕЖЕНИЕ: Не допускается использование спирта, бензина или других растворителей. Никогда не используйте разъедающие препараты для чистки пластмассовых частей.



ПРЕДОСТЕРЕЖЕНИЕ: Не допускается проникновение воды в машину.

ВАЖНО! Чтобы обеспечить безопасную работу электроинструментом и его надежность, все действия по ремонту, обслуживанию и регулированию (включительно проверку и замену щеток) следует осуществлять в специализированных сервисах SPARKY с использованием только оригинальных резервных частей.



Гарантия

Гарантийный срок электроинструментов SPARKY указан в гарантийной карте.

Неисправности, появившиеся в результате естественного изнашивания, перегрузки или неправильной эксплуатации, не входят в гарантийные обязательства.

Неисправности, появившиеся вследствие применения некачественных материалов и/или из-за производственных ошибок, устраняются без дополнительной оплаты путем замены или ремонта.

Рекламации дефектного электроинструмента SPARKY принимаются в том случае, если машина будет возвращена поставщику, или специализированному гарантийному сервису в не разобранном (первоначальном) состоянии.

Замечания

Внимательно прочтите всю инструкцию по эксплуатации перед тем, как приступить к использованию этого изделия.

Производитель сохраняет за собой право вносить в свои изделия улучшения и изменения, а также изменять спецификации без предупреждения.

Спецификации для разных стран могут различаться.

Зміст

Введення.....	79
Технічні дані.....	81
Загальні вказівки з безпеки при роботі з електроприладами.....	82
Додаткові вказівки щодо роботи зі шліфувальником по бетону.....	83
Знайомство з електроінструментом.....	86
Вказівки по роботі.....	86
Технічне обслуговування.....	87
Гарантія.....	88

РОЗПАКУВАННЯ

Електроінструмент поставляється укомплектованим, у справному вигляді. У разі виявлення невідповідностей не рекомендуємо використовувати інструмент до тих пір, поки виявлений дефект не буде усунуто. Невиконання цієї рекомендації може стати причиною травми.

ЗБІРКА

Машина для шліфування бетону, в металевому саквожі, поставляється в зібраному вигляді, готовою до використання.

Машина для шліфування бетону, упакована в пластмасовий саквож, поставляється в зібраному вигляді, з неміцно затягнутою додатковою рукояткою. Встановіть додаткову рукоятку в необхідну для роботи позицію і закрутіть (затягніть) за допомогою доданого гайкового ключа.

Введення

Придбаний Вами електроінструмент SPARKY перевершить Ваші очікування. Він зроблений у відповідності до високих стандартів якості SPARKY, що відповідають суворим вимогам споживача. Його легко обслуговувати і він безпечний при експлуатації, при правильному використанні цей електроінструмент буде служити Вам довгі роки.



ЗАСТЕРЕЖЕННЯ!

Прочитайте уважно і цілком інструкцію з експлуатації, перед використанням новопрдбаного електроінструменту SPARKY. Зверніть спеціальну увагу на параграфи, позначених словом "Застереження". У Вашого електроінструменту SPARKY багато якостей, які полегшують роботу. При розробці цього інструменту основну увагу було направлено на безпеку, експлуатаційні якості і надійність, які полегшують його обслуговування і експлуатацію.



Не викидайте електроінструменти разом з побутовими відходами!

Відходи від електричних виробів не варто збирати разом з побутовими відходами. Будь ласка, викидайте в місцях, призначених для цього. Зв'яжіться з місцевою владою або представником для консультації щодо повторної переробки.



ОХОРОНА НАВКОЛИШНЬОГО СЕРЕДОВИЩА

З урахуванням охорони навколишнього середовища електроінструмент, приналежності й упаковка повинно надати відповідній переробці для повторного використання сировини, що міститься в них. Для полегшення повторної переробки деталей, зроблених з штучних матеріалів, вони позначені відповідним чином.

ОПИС СИМВОЛІВ

На таблиці з даними електроінструменту нанесені спеціальні символи. Вони являють собою важливу інформацію про використання інструмента і його характеристики.



Подвійна ізоляція для додаткового захисту



Приєднувальна різьба шпинделя: M14



Відповідає чинним європейським директивам



Відповідність вимогам українських нормативних документів



Відповідає регламентам Митного союзу



Ознайомтеся з інструкцією з експлуатації


YYYY-Www

Термін виробництва, де змінними символами є:
YYYY - рік випуску, ww – черговий календарний тиждень

FB

ШЛІФУВАЛЬНИК ПО БЕТОНУ

Технічні дані

Модель :	FB 514
• Споживна потужність	1400 W
• Номінальна кількість обертів	10500 min ⁻¹
• Приєднувальна різьба шпінделя	M14
• Довжина різьби шпінделя	20 mm
• Діаметр внутрішнього отвору чашкового круга	Ø22.23 mm
• Максимальний діаметр чашкового круга	Ø125 mm
• Максимальна товщина нового чашкового круга	22 mm
• Діаметр отвору для приєднання пиловідводу	Ø35 mm
• Габарити:	
довжина	325 mm
ширина	190 mm
висота	200 mm
• Вага (EPTA процедура 01/2014)	3.1 kg
• Клас захисту (EN 60745-1) 	II

ІНФОРМАЦІЯ ПРО ШУМ ТА ВІБРАЦІЇ

Значення замірялися відповідно до стандарту EN 60745.

Випромінювання шуму

А-зважений рівень звукового тиску L _{рА}	90 dB (A)
Невизначеність K _{рА}	3 dB (A)
А-зважений рівень звукової потужності L _{wА}	101 dB (A)
Невизначеність K _{wА}	3 dB (A)

Використовуйте засоби для захисту від шуму!

Випромінювання вібрацій *

Сумарні значення вібрацій (векторна сума трьох напрямків) визначені відповідно до EN 60745:

Фрезерування бетону

Значення випромінених вібрацій a _h	5.8 m/s ²
Невизначеність K	1.5 m/s ²

* Рівень вібрацій виміряно у відповідності з т.6.2.7 EN 60745-1.

* Вказаний в інструкції рівень вібрацій виміряний відповідно до встановлених EN 60745 методик випробувань, і може використовуватися для порівняння електроінструментів. Рівень вібрацій може використовуватися для попередньої оцінки впливу.

Зазначений рівень вібрацій надано за умови використання інструменту за його прямим призначенням. У тих випадках, коли електроінструмент використовується для інших цілей, з іншими речами, рівень вібрацій може відрізнятися від зазначеного. У цих випадках рівень впливу може значно зрости в рамках загального періоду роботи.

Для точної оцінки впливу вібрацій, під час певного періоду роботи необхідно враховувати проміжки часу, в які електроінструмент вимкнено, або хоча і включений, але фактично не використовується. Це може істотно скоротити вплив вібрацій протягом всього періоду роботи.

Зберігайте електроінструмент і його речі в гарному стані. Під час роботи намагайтеся зберігати руки теплими - це допоможе зменшити шкідливий вплив при роботі з підвищеною вібрацією.

Пил матеріалів, наприклад - фарби з вмістом свинцю, деяких сортів деревини, мінералів і металу може бути шкідливим для здоров'я. Дотик до пилу і потрапляння пилу в дихальні шляхи може викликати алергічні реакції та / або захворювання дихальних шляхів оператора або персоналу, що знаходиться поблизу.

Певні види пилу, наприклад, з дуба та бука, вважаються канцерогенними, особливо, спільно з присадками для обробки деревини (хромат, засіб для захисту деревини, тощо). Матеріал з вмістом азбесту дозволяється обробляти тільки фахівцям.

- По можливості застосовуйте відсмоктування пилу.
- Для досягнення максимально високої ефективності збирання пилу при роботі з даним приладом, використовуйте пиლოსос, призначений для збору пилу з деревини або для пилу з деревини та / або мінерального пилу.
- Слідкуйте за хорошою вентиляцією.
- Рекомендується користуватися дихальною захисною маскою з фільтром класу P2.

Дотримуйтесь розпорядження щодо оброблюваних матеріалів, що діють у Вашій країні.

Загальні вказівки з безпеки при роботі з електроприладами



ЗАСТЕРЕЖЕННЯ! Прочитайте всі **ЗАСТЕРЕЖЕННЯ** і вказівки з безпеки. Недодержання попереджень і вказівок з безпеки може призвести до ураження електричним струмом, пожежі та / або важкого поранення.

Збережіть всі застереження та вказівки для подальшого використання.

Термін "електроприлад" у всіх зазначених нижче застереженнях стосується вашого електроприладу, з живленням від мережі (з кабелем), та / або електроприладу з живленням від акумуляторної батареї (без кабелю).

1. БЕЗПЕКА РОБОЧОГО МІСЦЯ

- a) Утримайте робоче місце в чистоті і добре освітленим. Безлад і недостатнє освітлення є передумовою виникнення трудових інцидентів.
- b) Не працюйте з електроприладами у вибухо-небезпечній атмосфері при наявності займих рідин, газів або пилу. Електроприлади створюють іскри, що можуть займати пил або пари.
- c) Тримайте дітей та сторонніх осіб на відстані, коли працюєте з електроприладом. Розсіювання уваги може призвести до втрати контролю з Вашого боку.

2. ЕЛЕКТРИЧНА БЕЗПЕКА

- a) Штепселі електроприладів повинні відповідати контактним гніздам. Ніколи не змінюйте штепсель у будь-який спосіб. Не використовуйте будь-які адаптерні штепселі для електроприладів із захисним заземленням. Використання оригінальних штепселів і відповідних їм контактів зменшує ризик удару електричним струмом.
- b) Уникайте дотику тіла з землею або заземленими поверхнями, такими як труби, радіатори, кухонні плити та холодильники. Якщо ваше тіло заземлене, існує підвищений ризик ураження електричним струмом.
- c) Не залишайте електроприлади під дощем або у вологому середовищі. Проникнення води в електроприлади підвищує ризик ураження електричним струмом.
- d) Використовуйте кабель за призначенням. Ніколи не використовуйте кабель для перенесення електроприладу, натягування або відключення штепселя з контактної гнізда. Тримайте кабель далеко від тепла, олії, гострих кутів, що рухаються. Пошкоджені або заплутані кабелі підвищують ризик поразок електричним струмом.
- e) Під час зовнішніх робіт використовуйте по-

довжувач, що підходить для цих цілей. Використання подовжувача, призначеного для зовнішніх робіт, зменшує небезпеку від ураження електричним струмом.

- f) У випадку, якщо робота з електроприладом у вологому середовищі неминуча, використовуйте запобіжний пристрій, який робить на залишковому струмі для переривання подачі струму. Використання запобіжного пристрою зменшує ризик ураження електричним струмом.

3. ОСОБИСТА БЕЗПЕКА

- a) Будьте пильні, працюйте з підвищеною увагою і проявляйте розсудливість, коли працюєте з електроприладом. Не використовуйте електроприлад, коли ви стомлені, або під впливом наркотиків, алкоголю, медикаментів, тощо. Одна мить неуваги при роботі з електроприладом може призвести до серйозної виробничої травми.
- b) Використовуйте індивідуальні засоби захисту. Носіть завжди захисні окуляри. Індивідуальні засоби захисту, такі як маска проти пилу, несплизьке взуття, захисний шолом або засоби для захисту слуху, що використовуються в конкретних умовах, знижують ризик виникнення виробничих травм.
- c) Уникайте мимовільного пуску інструменту. Переконайтеся, що вимикач знаходиться в положенні "вимкнено" перед включенням в джерело живлення та / або акумуляторної батареї, перед тим, візьмете в руки або перенесите. Носіння електроприладу з пальцем на вимикачі або підключення до джерела живлення електроінструменту з вимикачем у включеному положенні є передумовою для виробничої травми.
- d) Видаліть кожен гайковий ключ перед включенням електроприладу. Ключ для затягування або гайковий ключ, прикріплений до частини електроприладу, що обертається, може призвести до трудового інциденту.
- e) Не простягайтесь занадто. Підтримуйте правильне положення і рівновагу протягом всієї роботи. Це дозволить краще керувати електроприладом у несподіваних ситуаціях.
- f) Носіть придатний одяг. Не носіть широкий одяг або прикраси. Тримайте своє волосся, одяг і рукавички далеко від рухомих частин. Широкий одяг, біжутерія та довге волосся можуть потрапити в рухомі частини.
- g) Якщо електроприлад має пристосування для пилу, переконайтеся, що воно правильно встановлено і правильно використовується. Використання цих пристроїв може знизити пов'язані з пилом небезпеки.

4. ЕКСПЛУАТАЦІЯ І ДОГЛЯД ЗА ЕЛЕКТРОПРИЛАДАМИ

- a) Не перевантажуйте електроприлад. Використовуйте правильно вибраний електроприлад згідно з його призначенням. Правильно підібраний електроприлад працює краще і безпечніше

для оголошеного режиму роботи, для якого він спроектований.

- b) Не використовуйте електроприлад у випадку, якщо вимикач не переходить у включену і виключену позицію. Кожен електроприлад, який не може управлятися за допомогою вимикача, є небезпечним і підлягає ремонту.
- c) Вимкніть штепсель від електромережі перед тим, як почати будь-які налаштування, перед заміною приладдя або перед тим, як прибрати електроприлад для зберігання. Ці запобіжні заходи знижують ризик мимовільного пуску електроприладу.
- d) Зберігайте невикористані електроприлади в місцях, недоступних для дітей, і не дозволяйте користуватися ним обслуговуючому персоналу, який не знайомий з електроприладом або інструкціями з експлуатації. Електроприлади є небезпечними в руках ненавчених споживачів.
- e) Перевіряйте електроприлади. Перевіряйте, чи працюють нормально і рухаються вільно рухомі частини, чи знаходяться в цілості і справності усі частини, а також перевіряйте всі інші обставини, які можуть негативно вплинути на роботу електроприладу. У разі ушкоджень електроприлад необхідно відремонтувати перед його подальшим використанням. Багато інцидентів заподіюються у випадку поганого обслуговування електроприладів.
- f) Підтримуйте ріжучі інструменти гострими і чистими. Правильно підтримані ріжучі інструменти з гострими кутами рідше блокуються і простіше управляються.
- g) Використовуйте електроприлад, приналежності (комплектуючі) і частини інструменту і т.д. відповідно до цих інструкцій та у засіб, передбачений для конкретного типу електроприладу, маючи на увазі робочі умови і роботу, яку необхідно виконувати. Використання електроприладу для роботи не за призначенням може призвести до небезпечної ситуації.

5. ТЕХНІЧНЕ ОБСЛУГОВУВАННЯ

- a) Ремонтуйте ваш електроприлад у кваліфікованого фахівця з ремонту, при цьому використовуйте тільки оригінальні запасні частини. Це забезпечує безпеку електроприладу.

Додаткові вказівки щодо роботи зі шліфувальником по бетону

Загальні вказівки безпеки по шліфуванню:

- a) Цей електроінструмент може використовуватися в якості шліфувальної машини. Прочитайте уважно всі вказівки з безпеки, інструкції, ілюстрації і дані, які Ви отримали з електроінструментом. Недотримання вказівок із безпеки може призвести до ураження

електричним струмом, виникнення пожежі та/або отримання серйозних травм.

- b) Цей електроприлад не придатний для шліфування наждаком, обробки дротяними щітками, полірування і відрізування шліфувальним кругом. Використання електроприладу з метою, для якої він не передбачений, може створювати небезпечну ситуацію і призводити до тілесних ушкоджень.
- c) Не використовуйте приладдя, не дозволене і не рекомендоване виробником спеціально для даного електроінструмента. Можливість кріплення приладдя до Вашого електроінструменту не гарантує безпечного використання.
- d) Допустима кількість обертів приладдя повинна бути не менше максимального числа обертів, зазначеного на електроінструменті. Приладдя, що обертається зі швидкістю, що перевищує цю номінальну швидкість, може розбитися і розлетітися навколо.
- e) Зовнішній діаметр і товщина робочого інструмента повинні бути не менше зазначених розмірів Вашого електроінструменту. Приладдя з невідповідними розмірами не може бути безпечним або контролюватися у достатній мірі.
- f) Вставні робочі інструменти з різьбою повинні точно пасувати до різьби шліфувального шпинделя. У вставних робочих інструментах, які монтуються за допомогою фланця, діаметр отвору вставного робочого інструмента повинен пасувати до прийомного діаметра фланця. Вставні робочі інструменти, що не точно кріпляться на електроінструменті, обертаються нерівномірно, сильно вібрують і можуть призвести до втрати контролю над ними.
- g) Не використовуйте пошкоджене приладдя. Перед кожним використанням перевіряйте приладдя: шліфувальні диски - на щербини і тріщини, еластичні диски - на тріщини, розриви або сильний знос, дротяні щітки - на незакріплені або поламані дроти. У разі випадкового падіння електроінструменту або приладдя, перевірте інструмент на наявність пошкоджень або встановіть неушкоджене приладдя. Після перевірки й встановлення приладдя, Ви та особа, що знаходяться поблизу, мають зайняти місце за межами площини обертання приладдя і дати електроінструменту попрацювати на максимальних обертах на неробочому ходу протягом однієї хвилини. Зазвичай цього часу достатньо для того, щоб пошкоджене приладдя зламалося.
- h) Застосовуйте засоби індивідуального захисту. В залежності від конкретного випадку, користуйтеся захисним щитком для обличчя або захисними окулярами. У разі необхідності використовуйте протипиловий респіратор, засоби захисту слуху, захисні рукавиці або спеціальний халат, який затримує дрібні частинки від шліфувального приладдя або оброблюваної деталі. Засоби для захисту очей повинні захищати їх від різних предметів, що летять під час виконання різних операцій.

Протипиловий респіратор і газозахисні маски органів дихання повинні затримувати пил під час роботи. *Тривалий вплив сильного шуму може призвести до втрати слуху.*

- i) Слідкуйте за тим, щоб інші особи перебували на безпечній відстані від Вашої робочої ділянки. Кожна особа, що перебуває у межах робочої ділянки, повинна носити засоби індивідуального захисту. *Летючі осколки від оброблюваних деталей або від зламаного приладдя можуть відлетіти убік і заподіяти травму навіть за межами безпосередньої робочої ділянки.*
- j) Якщо існує можливість контакту ріжучого приладдя з прихованою електропроводкою, тримайте електроінструмент тільки за ізольовані поверхні рукояток. *Контакт приладдя зі струмоведучим проводом ставить під напругу також відкриті металеві частини електроінструменту і може призвести до ураження оператора електричним струмом.*
- k) Тримайте шнур підключення живлення збоку від приладдя, що обертається. *Якщо Ви втратите контроль над електроінструментом, то шнур може бути порізаний або захоплений частиною, що обертається, і Ваша кисть може потрапити під інструмент, що обертається.*
- l) Ніколи не відпускайте електроінструмент із рук, поки приладдя повністю не припинить обертатися. *Приладдя, що обертається, може зачепити оброблюваний матеріал, у результаті чого Ви втратите контроль над електроінструментом.*
- m) Вимикайте електроінструмент під час транспортування. *Ваш одяг може бути випадково захоплений приладдям, що може завдати Вам травму.*
- n) Регулярно очищайте вентиляційні отвори електроінструменту. *Вентилятор електродвигуна засмоктує пил у корпус, а надмірне скупчення металевого пилю може призвести до небезпеки від ураження електричним струмом.*
- o) Не використовуйте електроінструмент поблизу легкозаймистих матеріалів. *Іскри можуть призвести до займання цих матеріалів.*
- p) Не застосовуйте приладдя, для роботи з яким необхідно використовувати охолоджуючі рідини. *Застосування води або інших охолоджуючих рідин може призвести до ураження або удару електричним струмом.*

Інші вказівки з безпеки всіх операцій

Зворотний удар (відскік) і пов'язані з ним вказівки з безпеки

Зворотний удар - це раптова реакція, яка є наслідком заклинювання або блокування приладдя, наприклад шліфувального диска, еластичного диска, дротяної щітки і т.п. Заклинювання або блокування приводить до раптової зупинки обертання приладдя, яке зі свого боку виштовхує неконтрольований електроінструмент у сторону, протилежну напрямку

обертання робочого інструмента у точці заклинювання.

Наприклад, якщо шліфувальний диск заклинить або блокує у деталь (заготовку) то занурена у заготовку кромка шліфувального диска застряє, внаслідок чого диск може зламатися або спровокувати відскік. Шліфувальний диск відскакує до оператора або від нього, у залежності від напрямку обертання диска у місці блокування. В цьому випадку шліфувальні диски можуть зламатися.

Зворотний удар є наслідком неправильного використання та/або неправильної експлуатації або умов роботи з електроінструментом, і може бути попереджений за допомогою нижчеописаних заходів безпеки.

- a) Тримайте міцно електроінструмент, прийміть відповідну позу і поставте руки таким чином, щоб Ви змогли протидіяти силі зворотного удару. Завжди використовуйте додаткову рукоятку за її наявності, щоб якомога краще протидіяти і здійснювати контроль над силою відскоку або реактивним моментом під час запуску. *Завдяки правильним заходам безпеки оператор може контролювати реактивний момент і відскік.*
- b) Ваші руки ніколи не повинні знаходитися поблизу приладдя, що обертається. *Приладдя може відскочити і потрапити на Ваші руки.*
- c) Тримайтеся осторонь від ділянки, по якій електроінструмент може рухатися у разі зворотного удару. *Відскік веде електроінструмент у напрямку, протилежному рухові шліфувального диска у місці блокування.*
- d) Під час обробки кутів, гострих кромок та іншого, працюйте з підвищеною увагою. Не дозволяйте приладдю відскакувати або блокувати деталь. *Під час обробки кутів і гострих кромок існує ймовірність заклинювання приладдя, що обертається, що може призвести до втрати контролю або відскоку.*
- e) Не використовуйте ланцюгові або циркулярні диски для обробки деревини. *Дане приладдя часто є причиною відскоку або втрати контролю над електроінструментом.*
 - Фіксуйте положення оброблюваної деталі у лещатах або іншим відповідним способом.

Спеціальні вказівки з безпеки по шліфуванню

- a) Використовуйте тільки рекомендовані для даного електроінструмента диски з передбачувані для них запобіжником. *Диски, не передбачені для даного електроінструмента, не можуть бути достатньо екрановані і небезпечні.*
- b) Вигнуті шліфувальні круги потрібно монтувати таким чином, щоб їх робоча поверхня не виступала за край захисного кожуха. *Неправильно монтований шліфувальний круг, що виступає за край захисного кожуха, не захищений достатнім чином.*
- c) Захисний кожух повинен закріплюватися надійно до електроінструменту і налаштований так, щоб забезпечувати максимальну безпеку, тобто у бік оператора повинна бути відкрита як можна менша частина диску. *За-*

хисний кожух має захищати оператора від уламків, випадкового контакту з диском і іскор, які змогли б підпалити одяг.

- d) Диски необхідно застосовувати тільки для рекомендованих робіт. Наприклад, ніколи не шліфуйте бічну поверхню відрізного диска. Відрізні диски призначені для змінання матеріалу по кромці диска. Бічний тиск на такий диск може привести до його поломки.
- e) Завжди застосовуйте неушкоджені фланці для затягнення з відповідними розмірами і формою для обраного диска. Правильно обрані фланці, що затягують закріплюють диск і зменшують вірогідність його поломки. Фланці, що затягують для відрізних дисків можуть відрізатися від фланців, що затягують для інших видів дисків.

Додаткові вказівки з безпеки



ЗАСТЕРЕЖЕННЯ: Перш ніж приєднати електроінструмент до мережі живлення, переконайтеся, що напруга живлення відповідає характеристикам, зазначеним на табличці, що знаходиться на корпусі інструменту

- Якщо напруга джерела живлення більша за зазначену, це може привести до серйозних уражень електричним струмом оператора, а також до пошкодження електроінструменту.
- За наявності будь-яких сумнівів з цього приводу не вставляйте штепсель електроінструменту у розетку.
- Використання джерела живлення з більш низькою, ніж позначеною на табличці електроінструменту, напругою, призведе до пошкодження електродвигуна.



Завжди використовуйте захисні окуляри та навушники, а також маску для захисту від пилу. Гази і пара, що виділяються під час робіт, можуть бути шкідливими для Вашого здоров'я.

- Під час роботи у пильному середовищі вентиляційні отвори машини слід підтримувати у чистоті. Якщо необхідно видалити пил, спочатку слід відключити електроживлення. Видалити пил слід неметалевими предметами для чищення пилу, оберігаючи внутрішні деталі машини від пошкоджень. Електроінструмент буде перегріватися у разі порушення охолодження у зв'язку з пиловими вентиляційними отворами.
- Якщо існує можливість контакту ріжучого приладдя з прихованою електропроводкою або з власним шнуром живлення, тримайте електроінструмент тільки за ізольовані поверхні рукояток. Контакт приладдя зі струмоведучим проводом ставить під напругу також відкриті металеві частини електроінструменту і може привести до ураження оператора електричним струмом.
- Завжди вимикайте електроінструмент та виймайте штепсель із розетки перед тим, як роз-

почати будь-які роботи перевірки інструменту, його налаштування або обслуговування.

- Під час тривалої роботи зовнішні металеві частини та приладдя можуть нагрітися.
- Якщо це можливо, використовуйте лежачу або верстат для закріплення оброблюваної деталі.
- Завжди вимикайте інструмент перед тим, як відкласти його вбік.
- Не перевантажуйте електроінструмент: працюйте з помірною швидкістю. Надмірне натискання призводить до перевантаження, під час якого оберти електродвигуна зменшуються; це знижує продуктивність роботи і може викликати пошкодження двигуна.
- У зоні робіт ніколи не слід залишати дрентя, шнури, ключа тощо
- Попередньо видаліть з оброблюваної поверхні усі цвяхи, гвинти та ін..
- Перед тим, як почати обробляти певний об'єкт, увімкніть інструмент і дайте йому попрацювати певний час без навантаження, під час роботи інструмент має знаходитися на відстані принаймні 200 мм від обличчя та тіла оператора.
- Завжди підтримуйте своє тіло в стабільному положенні. Під час роботи з інструментом на висоті, переконайтеся у тому, що під Вами нікого немає.
- Тримайте інструмент міцно.
- Бережіть свої руки від частин інструменту, що обертаються. Не торкайтеся алмазного чашкового круга або оброблюваної деталі відразу після роботи, оскільки вони можуть бути дуже гарячими і Ви можете отримати опіки шкіри.
- Електроінструмент слід використовувати тільки за призначенням. Застосування його у будь-який інший спосіб, відмінний від зазначеного у цій інструкції, вважатиметься неправильним. Відповідальність за будь-яке пошкодження або поранення, що настає внаслідок неправильного застосування інструменту, несе користувач, а не виробник.
- Для правильної експлуатації електроінструменту слід дотримувати правил техніки безпеки, вказівок щодо монтажу та інструкцій з експлуатації, наведених в цьому документі. Всі особи, які використовують або обслуговують цю машину, повинні бути ознайомлені з цією інструкцією, і поінформовані про можливі ризики, пов'язані з роботою з електроінструментом. Дітям та слабким особам не дозволяється користуватися електроінструментом. Слід тримати дітей під постійним наглядом, якщо вони знаходяться у робочій зоні. В обов'язковому порядку слід дотримувати правил техніки безпеки, що є чинними у Вашій країні. Це стосується також основних правил охорони здоров'я і техніки безпеки на робочому місці.
- Виробник не несе відповідальності за внесені споживачем зміни до конструкції електроінструменту та за пошкодження, викликані такими змінами.

Навіть коли електроінструмент використовується за призначенням, не варто нехтувати певними факторами ризику. Наведені нижче ризики можуть бути спричинені конструктивними особливостями і дизайном електроінструменту.



- Якщо не використовувати ефективні засоби захисту вух, можна пошкодити слух.
- Завжди вимикайте штепсель з розетки перед виконанням будь-яких робіт з налаштування інструменту, догляду за ним, технічного обслуговування або за умови відключення напруги живлення.
- Електроінструмент не слід використовувати під просто неба у дощову погоду, у вологому середовищі (після дощу), або поблизу займистих рідин і газів. Робоче місце має бути добре освітлене.

Знайомство з електроінструментом

Перед початком експлуатації цього електричного інструменту ознайомтеся з усіма його оперативними особливостями і умовами безпечної роботи.

Використовуйте електроінструмент і його приладдя тільки за призначенням. Будь-яке інше застосування інструменту категорично заборонене.

1. Шпindel
2. Запобіжник чашкового круга
3. Опорна шайба
4. Чашковий круг з алмазними сегментами
5. Плaska опорна шайба
6. Гайка, що затягує
7. Вимикач
8. Кнопка блокування шпindelа
9. Уцільнююча щітка
10. Скоба для кріплення
11. Додаткова рукоятка
12. Спеціальний ключ
13. Гвинт

Вказівки по роботі

Цей електроінструмент живиться від джерела однофазної змінної напруги. Подвійна ізоляція електроінструменту згідно з EN 60745-1 та IEC 60745 дозволяє його підключення до розеток без захисних клем. Радіоперешкоди відповідають Директиві Європейського парламенту та Ради щодо електромагнітної сумісності.

Цей електроінструмент призначений для грубого та тонкого шліфування бетону та скального матеріалу з метою очищення перед нанесенням змущування та захисних покриттів. Цей інструмент слід використовувати тільки для сухого шліфування.

ПЕРЕД ПОЧАТКОМ РОБОТИ

- Перевірте відповідність напруги в електромережі і характеристик, наведених у таблиці з технічними даними електроприладу.
- Перевірте, в якому становищі знаходиться вимикач. Електроінструмент слід підключати та відключати від мережі живлення тільки тоді, коли вимикач знаходиться в положенні «вимкнено».
- Переконайтеся у справності кабелю живлення і штепселя. Якщо кабель живлення пошкоджено, то заміна повинна здійснюватись виробником або його сервісним фахівцем, що дозволить уникнути небезпек, пов'язаних із такою заміною.



ЗАСТЕРЕЖЕННЯ: Завжди вимикайте електроінструмент та виймайте штепсель із розетки перед тим, як розпочати будь-які роботи з налаштування інструменту, його обслуговування або з догляду за ним.

- При використанні алмазних відрізнних дисків слідкуйте за тим, щоб стрілка напрямку обертання на алмазному відрізнному диску відповідала напрямку обертання електроприладу (див. стрілку напрямку обертання на головці редуктора).
- Завжди використовуйте додаткову рукоятку і завжди тримайте машину обома руками для максимального контролю зворотнього удару або крутного моменту. (Рис. 1)

ЗАПУСК - ЗУПИНКА

Перед увімкненням електроінструменту в електромережу завжди перевіряйте, чи правильно взаємодіє вимикач та чи повертається він у положення «Вимкнено» після вивільнення.

1. Для запуску електроінструменту необхідно перемістити вперед перемикач (7), поки його передня частина не потрапить всередину та не заблокується. (Рис. 2)
2. Для вимкнення електроінструменту натисніть задній піднятий кінець перемикача (7) та відпустіть його, щоб він самостійно повернувся у вихідне положення. (Рис. 3)

ЕЛЕКТРОННИЙ ПРИСТРІЙ

В електроінструмент вмонтовано електронний пристрій, що виконує наступні функції:

- Захист проти падіння напруги. У випадку відключення напруги в мережі живлення за час $t > 0.5$ с, інструмент перестає працювати, навіть якщо застопорити перемикач у робочому положенні. Для відновлення нормального функціонування електроінструменту в такому випадку необхідно вимкнути пусковий вимикач і після цього знову включити його.
- Плавний пуск й обмеження пускового струму. Такий пуск забезпечує початок роботи інструменту без поштовху і запобігає виникненню коливаний напруги у мережі живлення;
- Підтримування постійних обертів у широкому діапазоні навантаження;
- Захист від короточасного перевантаження. У випадку великих короточасних перевантажень вмикається струмовий з'єднувач, який різко знижує обертв електроінструменту. Для відновлення нормальної роботи, відсуньте електроінструмент від матеріалу.
- Температурний захист. У разі незначних, але тривалих за часом перевантажень спрацьовує температурний захист. Перед досягненням критичної температури електроніка вимикає машину, і вона переходить з робочого у захисний режим зі знизженими обертами двигуна. Машина стає непрацездатною. У захисному режимі двигун працює на низьких оборотах, щоб прискорити охолодження, але інструмент НЕПРИДАТНИЙ для використання. За 3-5 хвилин машина охолоне і знову стає придатною для користування. Для від-



новлення робочого режиму необхідно вимкнути, і знову увімкнути вимикач.

ЗАПОБІЖНИК ЧАШКОВОГО КРУГА

Запобіжник чашкового диска (2) завжди має бути встановлений на інструменті!

МОНТАЖ, ЗАМІНА ТА РЕГУЛЮВАННЯ ПОЛОЖЕННЯ ЧАШКОВОГО КРУГА

Переконайтеся у тому, що діаметр та товщина чашкового круга не перевищує вказані показники у технічних даних. Зазначені на диску допустимі максимальні оберти мають бути не нижче обертів на холостому ходу.

Шпindel (1) шліфувальної машини фіксується шляхом натискання на кнопку (8), розташовану на редукторній коробці електроінструменту.



ЗАСТЕРЕЖЕННЯ: Забороняється натискати кнопку 8 під час обертання шпінделя!

При натисканні на кнопку шпindel починає обертатися до відповідного вдавлювання кнопки у середину. Гайка (6) розкручується за допомогою спеціального ключа (12).

У зв'язку зі зношенням чашкового круга та для досягнення оптимальної роботи пило відводу передбачена можливість регулювання положення чашкового круга.

Якщо необхідно закріпити новий чашковий круг, розмістіть елементи на шпінделі інструмента у наступному порядку: опорна шайба (3); чашковий круг (4); затягуюча гайка (6) з вільним кінцем до круга, як показано на *рис. 4*.



ЗАСТЕРЕЖЕННЯ: Встановлення гайки 6 опуклою частиною до круга призведе до неможливості затягування чашкового круга.

У разі зношення круга наполовину або більше, розмістіть елементи на шпінделі машини у наступному порядку: пласка опорна шайба (12); чашковий круг (4); затягуюча гайка (5) з опуклим кінцем до круга, як показано на *рис. 5*.



УВАГА: Встановлення гайки (6) вільною частиною до круга унеможливіє центрування чашкового круга та призводить до сильних вібрацій, що є передумовою травми.



ЗАСТЕРЕЖЕННЯ: Після заміни чашкового круга увімкніть машину з новим кругом мінімум на 30 секунд на холостому хлду. Чашкові круги, що неправильно обертються або вібують слід негайно замінити.

При зміні положення чашкового круга, якщо необхідно, регулюйте положення або замініть ущільнюючу щітку.

РЕГУЛЮВАННЯ ПОЛОЖЕННЯ (ЗАМІНА) УЩІЛЬНЮЮЧОЇ ЩІТКИ

Щітка (9) слугую для зменшення до мінімуму викидів пилу в оточуюче середовище. Вона зношується разом з чашковим кругом. Якщо необхідно встановити новий чашковий круг, замініть і ущільнюючу щітку. Послабте гвинт скоби (10) та видаліть непридатну щітку. Встановіть нову, при чому край запобіжника (2) має торкатися з виступом щітки. Встановіть на місце скобу (10) та підтягніть її гвинтом.

ДОДАТКОВА РУКОЯТКА

Додаткову рукоятку (11) прикріплюють до редукторної коробки двома гвинтами. Завжди використовуйте додаткову рукоятку та тримайте інструмент обома руками. (*Рис. 1*)

РОБОТА З ПИЛОВІДВОДОМ

Інструмент повинен працювати лише з пиловідводом. Додатково необхідно використовувати пилозахисні маски. Пилосос повинен мати відповідні характеристики для всмоктування кам'яного пилу. Пилосос під'єднується до пиловідвідного наконечника на запобіжному кожусі. Рекомендуємо використовувати пилосос в індустріальних цілях з мінімальними технічними характеристиками: дебіт 60 l/s і створюваний тиск (вакуум) 180 mbar.

ПРИЛАДДЯ, ЩО МОЖЕ ВИКОРИСТОВУВАТИСЬ ІЗ ЦИМ ЕЛЕКТРОІНСТРУМЕНТОМ

Чашковий круг з абразивними сегментами Ø125 x Ø22.23 x 22.

ЗАСТЕРЕЖЕННЯ: Для роботи з вашим електроінструментом рекомендовано використовувати вищевказане приладдя. Використання приладдя та аксесуарів, які відрізняються від вказаних вище, може призвести до нещасного випадку. Використовуйте приладдя або пристосування тільки за призначенням. Для додаткової інформації щодо цього приладдя, зверніться у місцевий сервіс SPARKY.

Технічне обслуговування



ЗАСТЕРЕЖЕННЯ: Завжди вимикайте електроінструмент і витягуйте штепсель із розетки перед кожною перевіркою або здійсненням догляду.

ЗАМІНА ЩІТОК

Електроінструмент оснащений щітками, що вимикаються самостійно. Після зношування обидві щітки повинні бути одночасно замінені на оригінальні щітки у сервісній установі SPARKY, яка виконує гарантійне та поза-гарантійне обслуговування.

ЗАГАЛЬНА ПЕРЕВІРКА

Перевіряйте регулярно всі елементи кріплення і

переконайтеся у тому, що вони міцно затягнуті. У тому випадку, якщо який-небудь гвинт послаблений, негайно затягніть його, щоб уникнути ситуацій, пов'язаних із ризиком.

У випадку, якщо гвинти (13) будуть послаблені, їх необхідно міцно затиснути, при цьому кожен гвинт має попередньо бути змащений клеєм для різьблення з'єднань.

Регулярно змащуйте всі рухомі частини.

Якщо кабелі живлення пошкоджені, заміна повинна бути здійснена виробником або його сервісним фахівцем, щоб уникнути небезпек, пов'язаних із заміною.

ЧИЩЕННЯ

Для безпечної роботи завжди тримайте машину і вентиляційні отвори у чистоті

Регулярно перевіряйте, чи не проникли у вентиляційні отвори електродвигуна або навколо перемикачів пил або сторонні предмети. Використовуйте м'яку щітку та/або струмінь згущеного повітря, щоб усунути пил, що накопичився. Для захисту очей під час прибирання носіть захисні окуляри.

Якщо корпус машини потрібно почистити, протріть його м'якою вологою ганчіркою. Можна використовувати слабкий препарат для миття.



ЗАСТЕРЕЖЕННЯ: Не допускається використання спирту, бензину або інших розчинників. Ніколи не використовуйте препарати, що роз'їдають для чищення пластмасових частин.



ЗАСТЕРЕЖЕННЯ: Не допускається потрапляння в інструмент води.

ВАЖЛИВО! Щоб забезпечити безпечну роботу електроінструменту і його надійність, всі дії з ремонту, обслуговування та регулювання (включаючи перевірку і заміну щіток) слід здійснювати у спеціалізованих сервісах SPARKY з використанням тільки оригінальних резервних частин.

Гарантія

Гарантійний термін електроприладів SPARKY вказаний в гарантійній карті

Несправності, що з'явилися в результаті природного зношування, перевантаження або неправильного користування, не входять до гарантійних зобов'язань.

Несправності, що з'явилися внаслідок застосування неякісних матеріалів та / або через виробничі помилки, усуваються без додаткової оплати шляхом заміни або ремонту.

Рекламації дефектного електроприладу SPARKY приймаються у тому випадку, якщо прилад буде повернуто постачальнику, або спеціалізованому гарантійного сервісу в не розібраному (початковому) стані.

Примітки

Уважно прочитайте всю інструкцію з експлуатації, перед тим, як приступити до використання виробу.

Виробник зберігає за собою право вносити у свої вироби поліпшення і зміни, а також змінювати специфікації без застереження.

Специфікації для різних країн можуть відрізнятися.



Съдържание

Въведение	89
Технически данни.....	91
Общи указания за безопасност при работа с електроинструменти.....	92
Допълнителни указания за безопасност при работа с машини за шлифване на бетон.....	93
Запознаване с електроинструмента	96
Указания за работа.....	96
Поддръжка.....	98
Гаранция.....	98

РАЗОПАКОВАНЕ

В съответствие с общоприетите технологии на едросерийно производство е малко вероятно Вашият електроинструмент да бъде неизправен или някоя от частите му да липсва. Ако забележите, че нещо не е наред, не работете с електроинструмента, докато повредената част не бъде заменена или неизправността не бъде отстранена. Неспазването на тази препоръка може да доведе до сериозна трудова злополука.

СГЛОБЯВАНЕ

Машината за шлифване на бетон, опакована в метален куфар, се доставя напълно сглобена, готова за работа.

Машината за шлифване на бетон, опакована в пластмасов куфар, се доставя сглобена, като допълнителната ръкохватка е поставена, но не е затегната. Поставете допълнителната ръкохватка в желаната от вас позиция и затегнете с приложения в комплектацията гаечен ключ.

Въведение

Новопридобитият от Вас електроинструмент SPARKY ще надхвърли Вашите очаквания. Той е произведен в съответствие с високите стандарти на качеството на SPARKY, отговарящи на строгите изисквания на потребителя. Лесен за обслужване и безопасен при експлоатация, при правилна употреба този електроинструмент ще Ви служи надеждно дълги години.



ПРЕДУПРЕЖДЕНИЕ!

Внимателно прочетете цялата инструкция за експлоатация преди да използвате новопридобития си електроинструмент SPARKY. Обърнете специално внимание на текстовете, които започват с думата “Предупреждение”. Вашият електроинструмент SPARKY притежава много качества, които ще улеснят Вашата работа. При разработката на този електроинструмент най-голямо внимание е обърнато на безопасността, експлоатационните качества и надеждността, които го правят лесен за поддръжка и експлоатация.



Не изхвърляйте електроинструменти заедно с битовите отпадъци!

Отпадъците от електрически изделия не трябва да се събират заедно с битовите отпадъци. Моля, рециклирайте на местата, предназначени за това. Свържете се с местните власти или представител за консултация относно рециклирането.

ОПАЗВАНЕ НА ОКОЛНАТА СРЕДА



С оглед опазване на околната среда електроинструментът, принадлежностите и опаковката трябва да бъдат подложени на подходяща преработка за повторно използване на съдържащите се в тях суровини. За облекчаване на рециклирането детайлите, произведени от изкуствени материали, са обозначени по съответния начин.



ОПИСАНИЕ НА СИМВОЛИТЕ

На табелката с технически данни върху електроинструмента са изобразени символи. Те представляват важна информация за изделието или указания за неговата употреба.



Двойна изолация за допълнителна защита



Присъединителна резба на вретеното: M14



Съответства на приложимите европейски директиви.



Съответства на изискванията на украинските нормативни документи



Съответства на изискванията на регламентите на Митническия съюз



Запознайте се с инструкцията за използване

YYYY-Www

Период на производство, където променливи символи са:
YYYY - година на производство, ww - поредна календарна седмица

FB

МАШИНА ЗА ШЛИФОВАНЕ НА БЕТОН

Технически данни

Модел:	FB 514
• Консумирана мощност	1400 W
• Обявена скорост на въртене	10500 min ⁻¹
• Присъединителна резба на вретеното	M14
• Дължина на резбата на вретеното	20 mm
• Присъединителен диаметър на шлифовъчния диск	Ø22.23 mm
• Максимален диаметър на шлифовъчния диск	Ø125 mm
• Максимална дебелина на нов шлифовъчен диск	22 mm
• Диаметър на отвора за присъединяване на прахоотвеждане	Ø35 mm
• Габарити:	
дължина	325 mm
ширина	190 mm
височина	200 mm
• Тегло (ЕРТА процедура 01/2014)	3.1 kg
• Клас на защита (EN 60745-1) <input type="checkbox"/>	II

ИНФОРМАЦИЯ ЗА ШУМ И ВИБРАЦИИ

Стойностите са измерени съгласно EN 60745.

Излъчване на шум

А-претеглено ниво на звуково налягане L _{ра}	90 dB (A)
Неопределеност K _{ра}	3 dB (A)
А-претеглено ниво на звукова мощност L _{ва}	101 dB (A)
Неопределеност K _{ва}	3 dB (A)

Използвайте средства за защита от шума!

Излъчване на вибрации *

Обща стойност на вибрациите (векторна сума по трите оси), определена съгласно EN 60745:

Шлифване на бетон

Стойност на излъчените вибрации a _h	5.8 m/s ²
Неопределеност K	1.5 m/s ²

* Вибрациите са определени съгласно т. 6.2.7 на EN 60745-1.

Посоченото в тази инструкция ниво на вибрации е измерено в съответствие с методиката за изпитване, указана в EN 60745 и може да се използва за сравняване на електроинструменти. Нивото на вибрации може да се използва за предварителна оценка на степента на въздействие.

Декларираното ниво на вибрации се отнася за основното предназначение на електроинструмента. В случаите, при които електроинструментът се използва за друго предназначение, с други принадлежности или ако електроинструментът не се поддържа добре, нивото на вибрации може да различава от посоченото. В тези случаи нивото на въздействие може значително да нарасне в границите на общия период на работа.

При оценката на нивото на въздействие на вибрации трябва също да се отчита времето, през което електроинструментът е изключен или е включен, но не се използва. Това може значително да понижи нивото на въздействие в границите на общия период на работа.

Поддържайте електроинструмента и принадлежностите в добро състояние. Пазете ръцете си топли по време на работа - това ще намали вредното въздействие при работа с повишени вибрации.

Прахът, отделян при обработването на материали като оловосъдържащи бои, някои видове дървесина, минерали и метали, може да бъде опасен за здравето. Допирът или вдишването на праха може да предизвика алергични реакции и/или заболявания на дихателните пътища на оператора или на намиращи се в близост лица.

Някои видове прах, например от дъб или бук, се считат за канцерогенни, особено в комбинация с добавки за обработка на дървесина (хромат, консерванти). Материал, който съдържа азбест, трябва да се обработва само от специалисти.

- Когато това е възможно, използвайте прахоотвеждане.
- За да се постигне висока степен на прахоулавяне, при работа с този електроинструмент използвайте прахосмукачка, предназначена за събиране на прах от дървесина или за прах от дървесина и/или минерален прах.
- Осигурете добра вентилация на работното място.
- Препоръчва се използването на защитна маска за прах с филтър клас P2.

Спазвайте действащите във вашата страна разпоредби за обработване на съответните материали.

Общи указания за безопасност при работа с електроинструменти



ПРЕДУПРЕЖДЕНИЕ! Четете всички предупреждения и указания за безопасност. Неспазването на предупрежденията и указанията за безопасност може да предизвика поражение от електрически ток, пожар и/или сериозно нараняване.

Запазете всички предупреждения и указания за бъдещо ползване.

Терминът "електроинструмент" във всички описани по-долу предупреждения се отнася до вашия електроинструмент, захранван от мрежата (с шнур) и/или електроинструмент, захранван от акумулаторна батерия (без шнур).

1. БЕЗОПАСНОСТ НА РАБОТНОТО МЯСТО

- Поддържайте работното място чисто и добре осветено. Безпорядъкът и недостатъчното осветление са предпоставка за трудови злополуки.
- Не работете с електроинструменти в експлозивни атмосфери при наличие на запалими течности, газове или прах. Електроинструментите образуват искри, които могат да възпламят праха или парите.
- Дръжте децата и страничните лица на разстояние, когато работите с електроинструмент. Разсейването може да доведе до загуба на контрол от Ваша страна.

2. ЕЛЕКТРИЧЕСКА БЕЗОПАСНОСТ

- Щепселите на електроинструментите трябва да съответстват на контактите. Никога не променяйте щепсела по какъвто и да било начин. Не използвайте каквито и да са адаптерни щепсели за електроинструменти със защитно заземяване. Употребата на непроменени щепсели и съответстващите им контакти намалява риска за поражение от електрически ток.
- Избягвайте допир на тялото до земя или до заземени повърхности, такива като тръби, радиатори, кухненски печки и хладилници. Ако тялото ви е заземено, съществува повишен риск от поражение от електрически ток.
- Не излагайте електроинструментите на дъжд или във влажна среда. Проникването на вода в електроинструмента повишава риска от поражение от електрически ток.
- Използвайте шнура по предназначение. Никога не използвайте шнура за носене на електроинструмента, опъване или изваждане на щепсела от контактното гнездо. Дръжте шнура далече от топлина, масло,

остри ръбове или движещи се части. Уредени или оплетени шнурове повишават риска за поражение от електрически ток.

- При работа с електроинструмента на открито, използвайте удължител, подходящ за работа на открито. Използването на удължител, подходящ за работа на открито, намалява риска от поражение от електрически ток.
- Ако работата с електроинструмента във влажна среда е неизбежна, използвайте предпазно устройство, задействано от остатъчен ток, за прекъсване на захранването. Използването на предпазно устройство намалява риска от поражение от електрически ток.

3. ЛИЧНА БЕЗОПАСНОСТ

- Бъдете бдителни, работете с повишено внимание и проявявайте благоразумие, когато работите с електроинструмент. Не използвайте електроинструмента, когато сте уморени или под влияние на наркотици, алкохол или медикаменти. Момент на невнимание при работа с електроинструмент може да предизвика сериозна трудова злополука.
- Използвайте лични предпазни средства. Носете винаги средства за защита на очите. Лични предпазни средства, като маска против прах, неплъзгащи се безопасни обувки, защитен шлем или средства за защита на слуха, използвани при конкретните условия, намаляват риска от трудови злополуки.
- Избягвайте неволно пускане. Убедете се, че прекъсвачът е в изключено положение преди включване към източник на захранване и/или акумулаторна батерия, преди да го вземете или пренасяте. Носенето на електроинструмент с пръст върху прекъсвача или свързването към източник на захранване на електроинструмент с прекъсвач във включено положение е предпоставка за трудова злополука.
- Отстранете всеки ключ за затягане или гаечен ключ преди включване на електроинструмента. Ключ за затягане или гаечен ключ, прикрепен към въртяща се част на електроинструмента, може да предизвика трудова злополука.
- Не се пресягайте. Поддържайте правилен стоеж и равновесие през цялото време. Това позволява по-добро управление на електроинструмента при неочаквани ситуации.
- Носете подходящо работно облекло. Не носете широки дрехи или бижута. Дръжте косите си, дрехите и ръкавиците далеч от движещи се части. Широки дрехи, бижута или дълги коси могат да се захванат от движещи се части.
- Ако електроинструментът е снабден с приспособления за засмукване и улавяне на прах, убедете се, че те са свързани и пра-

вилно използвани. Използването на тези устройства може да намали свързаните с прах опасности.

4. ИЗПОЛЗВАНЕ И ГРИЖИ ЗА ЕЛЕКТРОИНСТРУМЕНТИТЕ

- a) Не претоварвайте електроинструмента. Използвайте правилно избрания електроинструмент според приложението. Правилно избраният електроинструмент работи по-добре и по-безопасно при обявяния режим на работа, за който е проектиран.
- b) Не използвайте електроинструмента, ако прекъсвачът не превключва във включено и изключено положение. Всеки електроинструмент, който не може да бъде управляван с прекъсвач, е опасен и трябва да бъде ремонтиран.
- c) Разединете щепсела от захранващата мрежа преди да извършите всякакви настройки, преди замяна на принадлежността или преди да приберете електроинструмента за съхранение. Тези предпазни мерки за безопасност намаляват риска от неволно пускане на електроинструмента.
- d) Съхранявайте неизползваните електроинструменти на места, недостъпни за деца и не позволявайте на обслужващи лица, които не познават електроинструмента или не са запознати с тези инструкции, да работят с него. Електроинструментите са опасни в ръцете на необучени потребители.
- e) Поддържайте електроинструментите. Проверявайте движещите се части дали функционират нормално и се движат свободно, целостта и изправността на частите, както и за всякакво друго обстоятелство, което може неблагоприятно да повлияе на работата на електроинструмента. Ако е повреден, електроинструментът трябва да бъде ремонтиран преди по-нататъшно използване. Много злополуки са причинени от лошо поддържани електроинструменти.
- f) Поддържайте режещите инструменти остри и чисти. Правилно поддържаните режещи инструменти с остри режещи ръбове е по-малко вероятно да блокират и са по-лесни за управление.
- g) Използвайте електроинструмента, принадлежностите и частите на инструмента и т.н. в съответствие с тези инструкции и по начин, предвиден за конкретния тип електроинструмент, като вземате предвид работните условия и работата, която трябва да се извършва. Използването на електроинструмента за работа, различна от тази, за която е проектиран, може да предизвика опасна ситуация.

5. ОБСЛУЖВАНЕ

- a) Поддържайте вашия електроинструмент при квалифициран специалист по ремонта, като използвате само оригиналните ре-

зервни части. Това осигурява запазването на безопасността на електроинструмента.

Допълнителни указания за безопасност при работа с машини за шлифване на бетон

Общи указания за безопасност при шлифване:

- a) Този електроинструмент може да се използва като шлифовъчна машина. Прочетете всички указания за безопасност, инструкции, изображения и данни, които сте получили с машината. Неспазването на указанията за безопасност може да предизвика поражение от електрически ток, пожар и/или сериозно нараняване.
- b) Този електроинструмент не е подходящ за шлифване с шкурка, почистване с телна четка, полиране или отрязване.. Операции, за които електроинструментът не е предназначен, могат да създадат опасност и да предизвикат нараняване.
- c) Не използвайте принадлежности, които не са разрешени и препоръчани от производителя специално за този електроинструмент. Фактът че можете да закрепите принадлежността на Вашия електроинструмент, не гарантира безопасна употреба.
- d) Номиналните обороти на принадлежността трябва да са най-малко равни на посочените върху електроинструмента максимални обороти. Принадлежности, които се въртят със скорост, по-висока от тяхната номинална скорост, могат да се счупят и парчетата им да се разлетят.
- e) Външният диаметър и дебелината на работния инструмент трябва да бъдат в границите на указаните размери на Вашия електроинструмент. Принадлежности с неподходящи размери не могат да бъдат защитени или управлявани добре.
- f) Резбата на работните инструменти, които се монтират, трябва да съответства на резбата на вретеното на шлифовъчната машина. За работни инструменти, монтирани чрез фланци, присъединителният отвор на работния инструмент трябва да пасне на фиксиращия диаметър на фланеца. Работни инструменти, които не пасват на монтажната метална част на електроинструмента, се въртят неуравновесено, вибрират прекомерно и може да предизвикат загуба на контрол.
- g) Не използвайте повредени принадлежности. Преди всяка употреба проверявайте принадлежностите - шлифовъчните дискове за нащърбване и пукнатини, еластичните дискове за пукнатини, разкъсване или силно износване, телените четки за разхла-

бени или начупени нишки. Ако изтървете електроинструмента или принадлежността, проверете за повреда или монтирайте неповредена принадлежност. След като принадлежността е проверена и монтирана, застанете заедно със страничните лица извън равнината на въртене на принадлежността и оставете електроинструмента да работи с максимални обороти на празен ход в продължение на една минута. Обикновено това време е достатъчно за повредените принадлежности да се счупят.

- h) Носете лични предпазни средства. В зависимост от конкретния случай, използвайте предпазен щит за лицето или защитни очила. Ако е необходимо, използвайте прахозащитна маска, средства за защита за слуха, защитни ръкавици или специална престилка, която да задържа малките частици от шлифовъчната принадлежност или обработвания детайл. *Средствата за защита на очите трябва да предпазват от възникналите при различните операции хвърчащи отломки. Прахозащитните и газозащитните маски трябва да филтрират отбеляните при работа частици. Продължителното излагане на силен шум може да предизвика загуба на слуха.*
- i) Дръжте страничните лица на безопасно разстояние от зоната на работа. Всяко лице, намиращо се в зоната на работа, трябва да носи лични предпазни средства. *Възможно е хвърчащи отломки от обработвания детайл или от счупена принадлежност да предизвикат нараняване и извън границите на непосредствената зона на работа.*
- j) Дръжте електроинструмента само за изолирани повърхности за захващане когато извършвате операция, при която режещата принадлежност може да допре до скрита ел.инсталация. *Допирът на режещата принадлежност до проводник под напрежение ще постави откритите метални части на електроинструмента под напрежение и операторът ще получи токов удар.*
- k) Дръжте захранващия кабел извън обсега на действие на въртящата се принадлежност. Ако изгубите контрол над електроинструмента, захранващият кабел може да бъде срян или да увеличи дланта или ръката Ви в обсега на въртящия се инструмент.
- l) Никога не оставяйте електроинструмента преди принадлежността да е напълно спряла да се върти. *Въртящата се принадлежност може да захване обработвания материал и да загубите контрол над електроинструмента.*
- m) Не оставяйте електроинструмента да работи, докато го носите. *Случаен допир на въртящата се принадлежност до облеклото Ви може го захване и тя да нарани тялото Ви.*
- n) Почиствайте редовно вентилационните отвори на електроинструмента. *Вентила-*

торът на електродвигателя засмуква прах в корпуса, а прекомерното натрупване на метален прах може да предизвика опасност за поражение от електрически ток.

- o) Не използвайте електроинструмента в близост до горими материали. *Искрите могат да възпламят тези материали.*
- p) Не използвайте принадлежности, работата с които изисква течни охлаждащи средства. *Използването на вода или други течни охлаждащи средства може да доведе до поражение или удар от електрически ток.*

Други указания за безопасност за всички операции

Отскок (обратен удар) и свързаните с него указания за безопасност

Отскок е внезапната реакция вследствие на заклиняване или блокиране на принадлежност, например шлифовъчен диск, еластичен диск, телена четка и т.н. Заклиняването или блокирането води до незапно спиране на въртенето на принадлежността, което от своя страна изтласква неконтролируемия електроинструмент в посока обратна на посоката на въртене на работния инструмент в точката на заклиняване.

Например ако шлифовъчният диск се заклини или блокира в детайла, ръбът на шлифовъчния диск, който е връзан в детайла, засяда и вследствие на това дискът може да се счупи или да предизвика отскок. Шлифовъчният диск отскача към или от оператора, в зависимост от посоката на въртене на диска в мястото на блокиране. При тези обстоятелства е възможно шлифовъчните дискове да се счупят.

Отскокът е резултат от неправилна употреба и/или неправилна експлоатация или условия на работа с електроинструмента и може да се предотврати чрез описаните по-долу подходящи предпазни мерки.

- a) Дръжте здраво електроинструмента, заемете подходяща стойка и поставете ръцете си така, че да можете да овладеете силата на отскока. *Винаги използвайте допълнителната ръкохватка, ако електроинструментът е снабден с такава, за да имате възможно най-голям контрол над силата на отскока или реактивния момент при пускане. Чрез подходящи предпазни мерки операторът може да овладее реактивния момент и отскока.*
- b) Никога не поставяйте ръцете си в близост до въртящата се принадлежност. *Принадлежността може да отскочи върху ръката Ви.*
- c) Не заставайте в областта, в която електроинструментът би се придвижил при отскок. *Отскокът задвижва електроинструмента в посока, противоположна на движението на шлифовъчния диск, в мястото на блокиране.*
- d) Когато обработвате ъгли, остри ръбове и др., работете с повишено внимание. *Не позволявайте принадлежността да отскача или да блокира в детайла. При обработка-*

та на ъгли и остри ръбове има вероятност въртящата се принадлежност да се заклинчи, с което да предизвика загуба на контрол или отскок.

- e) Не използвайте верижни или циркулярни дискове за обработване на дървесина. Тези принадлежности често предизвикват отскок или загуба на контрол над електроинструмента.
- Фиксирайте обработвания детайл в менгеме или по друг подходящ начин.

Специфични указания за безопасност при шлифоване

- a) Използвайте само препоръчаните за електроинструмента видове дискове с предвиден за тях предпазител. Дискове, за които електроинструментът не е проектиран, не могат да бъдат подходящо защитени и не са безопасни.
- b) Шлифовъчната повърхнина на дискове с изпъкнал център, трябва да бъде монтирана под равнината на борда на предпазителя. Неправилно монтиран шлифовъчен диск, който се издава над равнината на борда на предпазителя, не може да бъде адекватно защитен.
- c) Предпазителят трябва да се закрепва надеждно към електроинструмента и да е разположен така, че да осигурява максимална безопасност, т.е. възможно най-малка част от диска да е открита към оператора. Предпазителят трябва да предпазва оператора от отломки, случаен контакт с диска и искри, които биха могли да подпалят облеклото.
- d) Дисковете трябва да се използват само за препоръчаните приложения. Например никога не шлифовайте със страничната повърхност на отрезен диск. Отрезните дискове са предназначени за отнемане на материал с ръба на диска. Упражняването на страничен натиск върху такъв диск може да го строши.
- e) Винаги използвайте изправни затягащи фланци с подходящ размер и форма за избрания диск. Правилно избраните затягащи фланци закрепват диска и намаляват опасността от счупването му. Затягащите фланци за отрезни дискове могат да се различават от затягащите фланци за друг вид дискове.

Допълнителни указания за безопасна работа



ПРЕДУПРЕЖДЕНИЕ: Преди да свържете електроинструмента към захранващата мрежа, убедете се че захранващото напрежение отговаря на посоченото върху табелката с технически данни на електроинструмента.

- Източник на захранване с напрежение, по-високо от посоченото за електроинструмента, може да предизвика както сериозно поражение от елек-

трически ток върху оператора, така и повреда на електроинструмента.

- Ако имате някакви колебания, не поставяйте щепсела на електроинструмента в контактното гнездо.
- Използването на източник на захранване с напрежение, по-ниско от обозначеното върху табелката на електроинструмента, ще увреди електродвигателя.



Винаги носете защитни очила и антифони и използвайте прахозащитна маска. Отделяният по време на работа прах и абразивни частици, могат сериозно да увредят вашето здраве.

- При работа в запрашена среда вентилационните отвори на машината трябва да се поддържат чисти. Ако се наложи да бъдат почиствани от прах, първо изключете захранването и използвайте неметални предмети за почистването на праха, като внимавате да не повредите вътрешните детайли на машината. Електроинструментът ще прегрее при намалено охлаждане в следствие на запрашените вентилационни отвори.
- Дръжте електроинструмента само за изолираните повърхности за захващане когато извършвате операция, при която режещата принадлежност може да допре до скрита ел.инсталация или до собствения шнур. Допирът на режещата принадлежност до проводник под напрежение ще постави откритите метални части на електроинструмента под напрежение и операторът ще получи токов удар.
- Винаги изключвайте електроинструмента и изваждайте щепсела от контакта преди извършване на всякаква настройка, обслужване или поддръжка.
- След продължителна работа външните метални части и принадлежностите могат да се нагорещят.
- По възможност винаги използвайте скоби или менгеме за закрепване на обработвания детайл.
- Винаги изключвайте машината преди да я оставите настрана.
- Не претоварвайте машината: работете с умерена скорост. Претоварването е резултат от прилагане на прекомерен натиск, при което електродвигателят забавя въртенето си, това е предпоставка за неефекасна работа и евентуална повреда на електродвигателя на машината.
- В работната зона никога не трябва да се оставят парцали, шнурове, канал и пр.
- Предварително отстранете от обработваната повърхнина всякакви гвоздеи, винтове и пр.
- Преди да използвате електроинструмента върху конкретна повърхнина, го включете и го оставете да поработи известно време. По време на работа електроинструментът трябва да се намира поне на 200 mm от лицето и тялото ви.
- Винаги поддържайте стабилно положение на тялото си. Когато работите с електроинструмента на височина, убедете се, че под вас няма никой.



- Дръжте здраво електроинструмента.
- Пазете ръцете си от въртящи се части. Не докосвайте работния инструмент или обработвания детайл веднага след работа – те могат да бъдат извънредно горещи и да получите изгаряне на кожата.
- Електроинструментът трябва да се използва само по предназначение. Всякаква друга употреба, различаваща се от описаната в тази инструкция, ще се счита за неправилна употреба. Отговорността за всякаква повреда или нараняване, произтичащи от неправилна употреба, ще се носи от потребителя, а не от производителя.
- За да използвате този електроинструмент правилно, трябва да спазвате изискванията за безопасност, указанията за монтаж и инструкциите за експлоатация, описани в този документ. Всички лица, които използват или обслужват тази машина, трябва да са запознати с тази инструкция и да бъдат информирани за възможните опасности, свързани с този електроинструмент. Забранява се работата на деца и немощни хора с този електроинструмент. Децата трябва винаги да бъдат под непрекъснато наблюдение ако се намират в работната зона. Задължително трябва да се спазват правилата за безопасна работа, които са в сила за Вашата страна. Същото се отнася за основните правила за професионално здравеопазване и техника на безопасност.
- Производителят не отговаря за никакви промени, извършени на електроинструмента, нито за произлезлите от това повреди.

Дори когато електроинструментът се използва съгласно предписанието, не е възможно да се елиминират всички остатъчни рискови фактори. Могат да възникнат следните опасности, свързани с конструкцията и дизайна на електроинструмента:

- Уверждаване на слуха ако не се използват ефикасни антифони.
- Винаги изваждайте щепсела от захранващата мрежа преди да извършвате каквито и да било настройки или процедури по поддръжка, включително замяна на работните принадлежности.
- Електроинструментът е предназначен за работа в помещения и зони с нормална пожарна опасност съгласно "НАРЕДБА № 13-1971 за строително-технически правила и норми за осигуряване на безопасност при пожар". Не се допуска използването му във взривоопасна и пожароопасна среда, при температура на околния въздух над 40°C, в особено влажна среда, при наличие на валежи и в химически активна среда. Работното място трябва да е добре осветено.

Запознаване с електроинструмента

Преди да започнете да работите с машината за шлифование на бетон се запознайте с всички оперативни особености и условия за безопасност. Използвайте електроинструмента и аксесоарите му

само по предназначение. Всяко друго приложение е изрично забранено.

1. Вретено
2. Предпазител на диска
3. Упорна шайба
4. Метална чаша с диамантени сегменти
5. Упорна шайба с право чело
6. Затягаща гайка
7. Прекъсвач
8. Бутон за застопоряване на вретеното
9. Уплътнителна четка
10. Закрепваща скоба
11. Допълнителна ръкохватка
12. Ключ специален
13. Винт

Указания за работа

Тези електроинструменти се захранват от еднофазно променливо напрежение. Те са с двойна изолация съгласно EN 60745-1 и IEC 60745 и може да се присъединяват към контакти без защитни клемни. Радиосмущенията съответстват на Директивата за електромагнитна съвместимост.

Този електроинструмент е предназначен за грубо и фино шлифование на бетон и скални материали с цел почистване преди полагане на замазки и защитни покрития. Машината е предназначена само за сухо шлифование.

ПРЕДИ ДА ЗАПОЧНЕТЕ РАБОТА

- Проверете дали напрежението на електрическата мрежа отговаря на това, означено върху табелката с технически данни на електроинструмента.
- Проверете в какво положение се намира прекъсвачът. Електроинструментът трябва да се присъединява и отделя от захранващата мрежа само при изключен прекъсвач.
- Убедете се в изправността на захранващия кабел и щепсел. Ако захранващият кабел е повреден, замяната трябва да се извърши от производителя или от негов сервизен специалист, за да се избегнат опасностите от замяната.



ПРЕДУПРЕЖДЕНИЕ: Винаги изключвайте електроинструмента и изваждайте щепсела от контакта преди извършване на всякаква настройка, обслужване или поддръжка.

- При монтиране на диамантени отрезни дискове, обърнете внимание посоката на стрелката, указваща посоката на въртене върху диамантения режещ диск, да съвпада с посоката на въртене на машината (виж стрелката, указваща посоката на въртене върху редукторната кутия).
- Използвайте винаги допълнителната ръкохватка и дръжте машината винаги с две ръце за максимален контрол на обратния удар или въртеливаща реакция при пускане. (Фиг. 1)



ПУСКАНЕ - СПИРАНЕ

Преди да включите електроинструмента към захранващата мрежа, винаги проверявайте дали прекъсвачът се действа правилно и дали се връща в положение "Изключено", когато бъде освободен.

1. За да пуснете електроинструмента, плъзгачът (7) се измества напред докато предната му част хлътне и се застопори. (Фиг. 2)
2. За да изключите електроинструмента, натиснете задният, надигнат край на плъзгача (7) и го оставете самостоятелно да се върне назад в изходно положение. (Фиг. 3)

ЕЛЕКТРОННО УСТРОЙСТВО

Електроинструментът е с вградено електронно устройство, реализиращо следните функции:

- Защита срещу отпадане на напрежението. В случай на прекъсване на напрежението на захранващата мрежа за време $t > 0.5s$, инструментът престава да работи, дори и при застопорен в работно положение прекъсвач. За да се възстанови нормалното функциониране на електроинструмента в този случай е необходимо пусковият прекъсвач да се изключи и след това отново да се включи.
- Плавно пускане и ограничаване на пусковия ток. Такова пускане осигурява тръгане на машината без тласък и предотвратява възникването на колебания на напрежението в захранващата мрежа;
- Поддържане на постоянни обороти в широк диапазон на натоварване;
- Защита от кратковременно претоварване. При големи кратковременни претоварвания се задейства токов съединител, който рязко понижава оборотите на електроинструмента. За да възстановите нормалната работа, отдръпнете електроинструмента от материала.
- Температурна защита. При по-малки, но продължителни по време претоварвания се задейства температурна защита. Преди достигане на критичната температура, електрониката изключва машината и тя преминава от работен в защитен режим, който е с понижени обороти на двигателя. Машината става неработоспособна. В защитен режим двигателят се върти с понижени обороти, за да се ускори охлаждането, но машината е НЕ-РАБОТОСПОСОБНА. За 3-5 минути машината се охлажда и отново е работоспособна. За привеждане в работен режим е необходимо да изключите и отново включите прекъсвача.

ПРЕДПАЗИТЕЛ НА ДИСКА

Предпазителят (2) на диска трябва винаги да бъде монтиран на машината!

МОНТИРАНЕ, ПОДМЯНА И РЕГУЛИРАНЕ ПОЛОЖЕНИЕТО НА РАБОТНИЯ ДИСК

Убедете се, че диаметърът и дебелината на диска не са по-големи от указаните в техническите данни. Означените върху диска допустими максимални обороти да не са по-ниски от оборотите на машината на празен ход.

Вретеното (1) на шлифовъчната машина се фиксира чрез натискане на бутона (8) намиращ се върху редукторната кутия.



ПРЕДУПРЕЖДЕНИЕ: Не се допуска натискане на бутона (8) докато вретеното се върти.

При натиснат бутон се завърта вретеното до отчетливо потъване на бутона. Гайката (6) се отвива със специален ключ (12).

Поради износването на диска и за постигане на оптимална работа на прахоотвеждането е предвидена възможност за регулиране на положението на диска.

При закрепването на нов диск, подредете елементите върху вретеното на машината в следния ред: шайба упорна (3); диск (4); гайка затягаща (6) с освободената част към диска, както е показано на Фиг. 4.



ПРЕДУПРЕЖДЕНИЕ: Поставянето на гайката (6) с изпъкналата част към диска ще доведе до невъзможност за затягане на работния диск.

При износен наполовина и повече диск, подредете елементите върху вретеното на машината в следния ред: шайба упорна с право чело (5); диск (4); гайка затягаща (6) с изпъкналата част към диска, както е показано на Фиг. 5.



ПРЕДУПРЕЖДЕНИЕ: При поставянето на гайката (6) с освободената част към диска, последният няма да бъде центриран и това ще доведе до големи вибрации и е предпоставка за злополука.



ПРЕДУПРЕЖДЕНИЕ: След смяна на диска пуснете машината да работи с новия диск минимум 30 секунди на празен ход. Вибриращите или неправилно въртящи се дискове трябва незабавно да се заменят.

При промяна на положението на диска, ако е необходимо, регулирайте положението или заменете уплътняващата четка.

РЕГУЛИРАНЕ НА ПОЛОЖЕНИЕТО (ПОДМЯНА) НА УПЛЪТНЯВАЩАТА ЧЕТКА

Четката (9) служи за намаляване до минимум на изхвърлянето на прах в околното пространство. Същата се изнася с изнасяването на диска. При поставяне на нов диск, ако е необходимо, заменете и уплътняващата четка. Разхлабете винта на скобата (10) и отстранете старата четка. Поставете новата, като ръбът на предпазителя (2) трябва да допира в стъпалото на четката. Поставете обратно скобата (10) и я затегнете.

ДОПЪЛНИТЕЛНА РЪКОХВАТКА

Допълнителната ръкохватка (11) е закрепена към редуктора на машината посредством два винта. Използвайте винаги допълнителната ръкохватка и дръжте машината винаги с две ръце. (Фиг. 1)

РАБОТА С ПРАХООТВЕЖДАНЕ

Електроинструментът трябва да се експлоатира само с прахоотвеждане. Да се носи допълнително маска за защита от прах. Прахосмукачката трябва да е подходяща за засмукване на прах от камъни. Прахосмукачката се свързва към прахоотвеждащата тръба на предпазителя. Препоръчваме да се използва прахосмукачка за индустриални цели с минимални технически характеристики: дебит 60 l/s и създавано подналягане (вакуум) 180 mbar.

ПРИНАДЛЕЖНОСТИ, КОИТО МОГАТ ДА БЪДАТ ИЗПОЛЗВАНИ С ТОЗИ ЕЛЕКТРОИНСТРУМЕНТ

Шлифовъчен диск с абразивни сегменти Ø125 x Ø22.23 x 22

ПРЕДУПРЕЖДЕНИЕ: За работа с Вашия електроинструмент се препоръчват горепосочените принадлежности или приспособления. Употребата на принадлежности или приспособления, различни от посочените, е предпоставка за трудова злополука. Използвайте принадлежностите или приспособленията само по предназначение. Ако се нуждаете от допълнителна информация относно тези принадлежности, обърнете се към местния сервиз на SPARKY.

Поддръжка



ПРЕДУПРЕЖДЕНИЕ: Винаги изключвайте електроинструмента и изваждайте щепсела от контакта преди всякаква проверка или поддръжка.

ПОДМЯНА НА ЧЕТКИТЕ

Електроинструментът е снабден със самоизключващи се четки. Когато четките се износят, двете четки трябва да се подменят едновременно с оригинални четки в сервиз на SPARKY за гаранционна и извънгаранционна поддръжка."

ОБЩА ПРОВЕРКА

Проверявайте редовно всички крепежни елементи и се уверете, че те са здраво притегнати. В случай, че някой от винтовете се е разхлабил, го затегнете незабавно, за да избегнете рискови ситуации.

Ако винтовете (13) се разхлабят, те трябва да се завият здраво, като преди завиването им по резбата на всеки винт (13) трябва да се нанесе лепило за осигуряване на резби.

Редовно смазвайте всички движещи се части.

Ако захранващият кабел е повреден, замената трябва да се извърши от производителя или негов сервизен специалист, за да се избегнат опасности от замената.

ПОЧИСТВАНЕ

За безопасна работа поддържайте винаги чисти машината и вентилационните отвори.

Редовно проверявайте дали във вентилационната решетка близо до електродвигателя или около превключвателите не е проникнал прах или чужди тела. Използвайте мека четка за да отстраните събрания се прах. За да предпазите очите си, по време на почистването носете защитни очила.

Ако корпусът на машината се нуждае от почистване, избършете го с мека влажна кърпа. Може да се използва слаб препарат за миене.



ПРЕДУПРЕЖДЕНИЕ: Не се допуска употребата на спирт, бензин или други разтворители. Никога не използвайте разяждащи препарати за почистване на пластмасовите части.



ПРЕДУПРЕЖДЕНИЕ: Не се допуска влизането на вода в контакт с машината.

ВАЖНО! За да се осигури безопасната работа с електроинструмента и неговата надеждност, всички дейности по ремонта, поддръжката и регулирането (включително проверката и подмяната на четките) трябва да се извършват в оторизираните сервиси на SPARKY с използване само на оригинални резервни части.

Гаранция

Гаранционният срок на електроинструментите SPARKY се определя в гаранционна карта.

Неизправности, появили се в следствие на естествено износване, претоварване или неправилна експлоатация, се изключват от гаранционните задължения.

Неизправности, появили се в следствие на влагане на некачествени материали и/или производствени грешки, се отстраняват без допълнително заплащане чрез замяна или ремонт.

Рекламация на дефектирал електроинструмент SPARKY се признава, когато машината се върне на доставчика или се представи на оторизиран гаранционен сервиз в неразглобено (първоначално) състояние.

Забележки

Внимателно прочетете цялата инструкция за използване преди да използвате това изделие.

Производителят си запазва правото да въвежда подобрения и промени в своите изделия и да променя спецификациите без предупреждение.

Спецификациите могат да се различават за отделните страни.





1705R07

